



Facilities Management Space Design Guidelines

Blank Page

SPACE DESIGN GUIDELINES

I. General Information

- A. UT Southwestern Medical Center has created Space Design Guidelines of key spaces for use in planning and design by Architects/Engineers. These documents may be used as a basis of design or guide for typical size, orientation, needs assessments and indicate typical equipment requirements.
- B. These shall be utilized to start the conversation with user groups but do not remove the onus of design, collaboration, or coordination from the A/E.
- C. New spaces will be added, and previous spaces updated over time.
- D. For healthcare spaces, the A/E shall confirm with UTSW if a project is facility based or non-facility based to identify regulation and licensing requirements.

II. Administration and Core Spaces

Nursing Mother's Room	NM1 – NM6
Nursing Mother's Room – Individual	NMI1 – NMI6

III. Research and Education

Rodent Holding – 4 Rack	RH4-1 – RH4-7
Rodent Holding – 6 Rack	RH6-1 – RH6-7
Rodent Procedure – Type A	RPA-1 – RPA-7
Rodent Procedure – Type B	RPB-1 – RPB-7

IV. Healthcare: Outpatient

Audiology Booth	AB1 – AB9
Blood Draw Bay	BD1 – BD6
Blood Draw	B1 – B6
Cardiac Stress / Echo	CS1 – CS8
CT Suite	CTO1 – CTO12
CT Suite – Outpatient Procedure: See Inpatient CT Suite SDG	
Consult Room	CR1 – CR6
Exam Room	E1 – E6

**Design Criteria
Space Design Guidelines**

Exam – Double Sided	EX01 – EX06
Eye Lane	EL1 – EL6
Procedure Room	P1 – P6
Procedure Room with Toilet	PR1 – PR8
Ultrasound / Sonogram	US1 – US8
Reading Room	RR1 – RR7
Check-In	CI1 – CI9
Medication Room	MR1 – MR7
POC Lab	POC1 – POC8
Processing Lab	PL1 – PL8
Instrument Processing	IP1 – IP10
Soiled Hold	SH1 – SH6
Utility – Clean and Soiled	U1 – U8
Utility – Clean and Soiled with Pass Through	UP1 – UP8

V. Healthcare: Inpatient

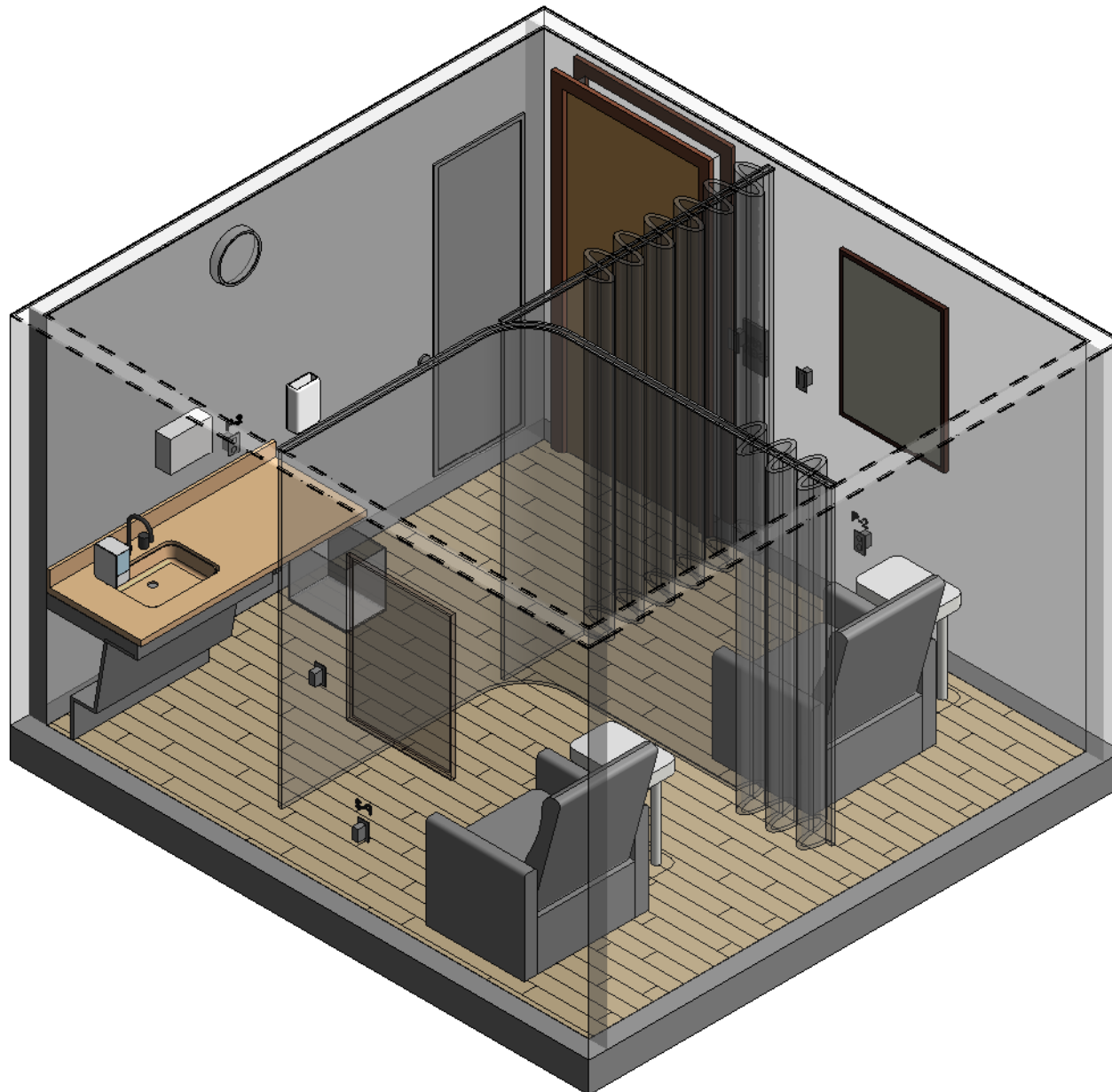
Cardiac Stress / Echo	CS11 – CS19
CT Suite (Inpatient and Outpatient Procedure)	CT1 - CT

DOCUMENT HISTORY

Issue Date	Description	Editor
06/19/2020	June 19, 2020 Print	MDR
12/30/2020	Q4 2020 Revision, Addition of II. Space Exhibits with 10 new spaces	EV
3/30/2021	Q1 2021 Update, Addition of Eye Lane and Utility – Clean & Soiled	EV
6/30/2021	Q2 2021 Update, Addition of Audiology Booth	EV
03/25/2022	Medical equipment revisions, Addition of Rodent Holding and Rodent Procedure spaces	MR
07/07/2023	Q2 2023 Re-release of Space Design Guidelines	DT
11/16/2023	Q4 2023 Release and updates	EV
05/16/2024	Q2 2024 Release and updates	EV
12/20/2024	Q4 2024 Release, reorganization, and updates	EV

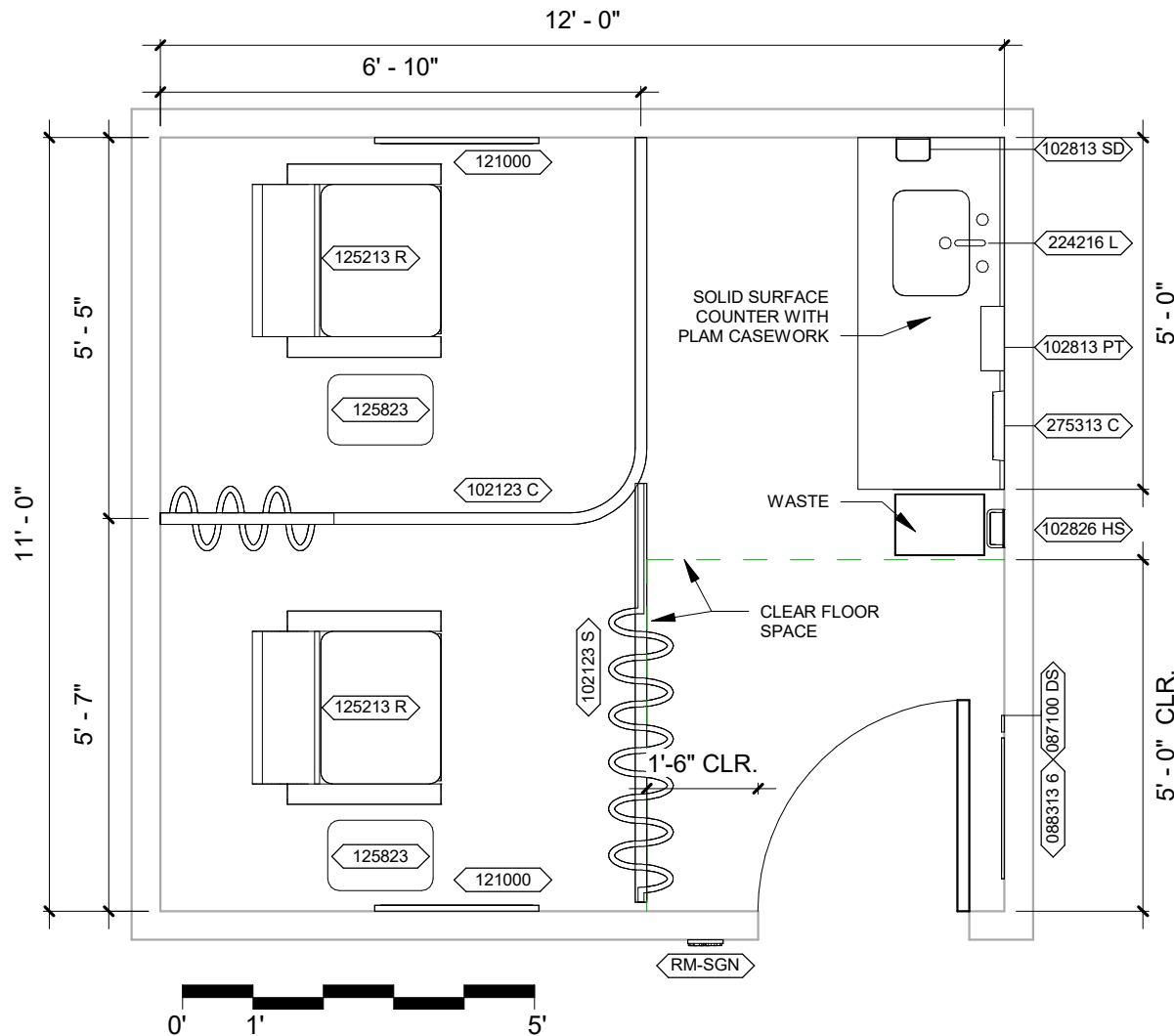
Space Design Guidelines - Basis of Design

Space:	Nursing Mothers Room (Double)	Department:	General	Area:	132 SF
Drawing:	Room Isometric	Drawing Scale:	NTS	Last Update:	12/20/2024



Space Design Guidelines - Basis of Design

Space: Nursing Mothers Room (Double)	Department: General	Area: 132 SF
Drawing: Floor Plan	Drawing Scale: 3/8" = 1'-0"	Last Update: 12/20/2024



Space Narrative:

Information provided shall be confirmed with UTSW PM.

Furnish assignments shall be confirmed by the UTSW PM. Entity furnishing paper towel and soap dispensers shall be confirmed per project location and lease requirements.

Dashed equipment is specified per project by UTSW

Items noted with symbol are shown on the Component Schedule

Nursing Mother's Room with space for two occupants. Each curtain area will provide privacy for one person and includes dimmable light control for each occupant.

Privacy and locking requirements to be confirmed with User Group. Refer to Section 08 71 00 "Master Door Hardware Sets" for typical types. Multiple occupancy could have a keypad as standard.

UTSW Special Considerations:

Flooring: LVT

Base: Rubber Base

Ceiling: 2x2 ACT

Walls: Paint

Casework: Plastic Laminate, extend upper casework to ceiling grid

Countertops: Solid Surface

Blocking (BLKG) by GC shall be coordinated prior to installation.

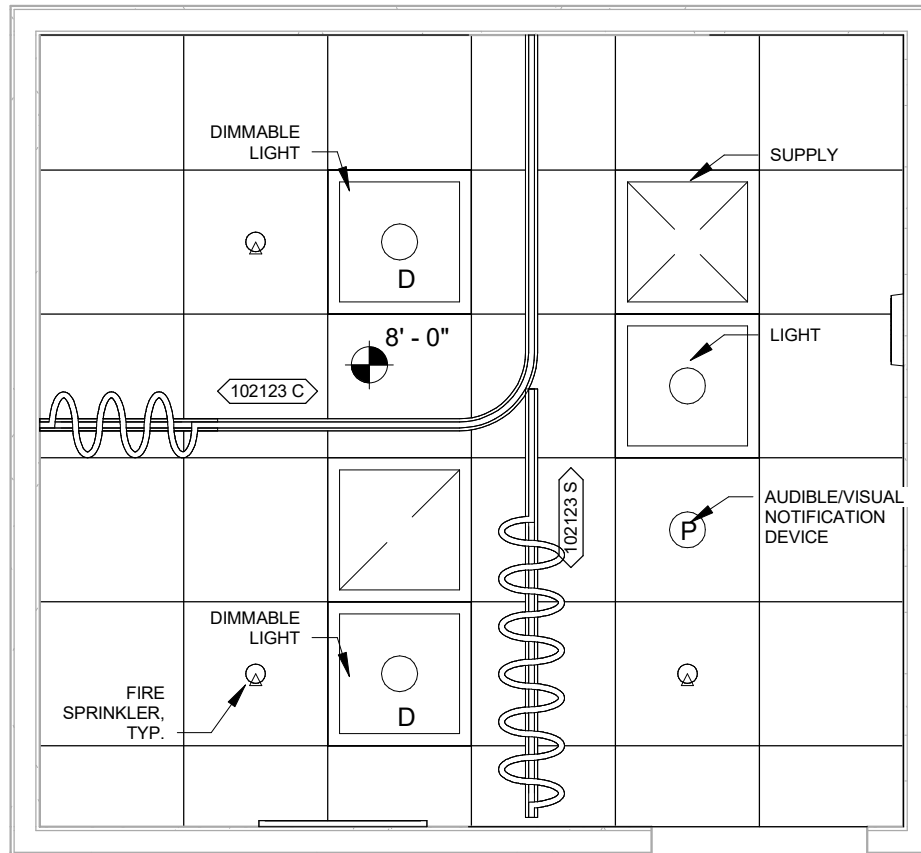
Space Design Guidelines - Basis of Design

Space: Nursing Mothers Room (Double)	Department: General	Area: 132 SF
Drawing: Reflected Ceiling Plan	Drawing Scale: 3/8" = 1'-0"	Last Update: 12/20/2024

Space Narrative:

Fire and life safety elements will be designed and laid out per project requirements.

Typical 2x2 ACT ceiling.



UTSW Special Considerations:

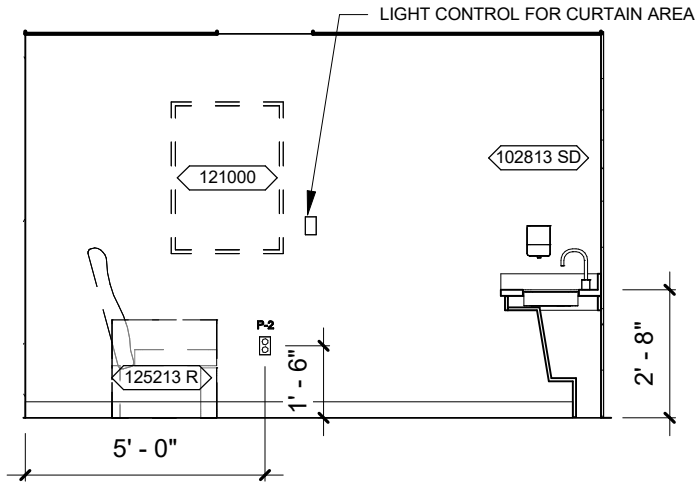
Refer to UTSW Design Guidelines to confirm light fixture types appropriate per project.

Lights within curtain area are preferred to be dimmable with wall switches as noted on the elevations. Confirm scope with UTSW PM.

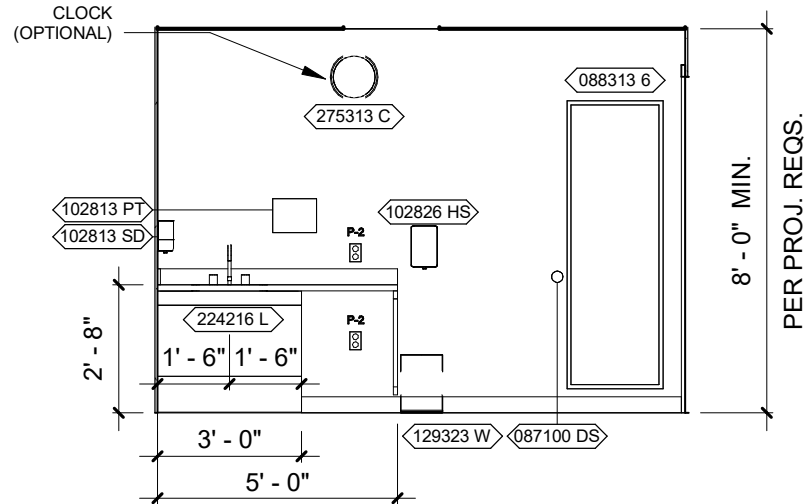
Tracks shall be well supported above the ceiling.

Space Design Guidelines - Basis of Design

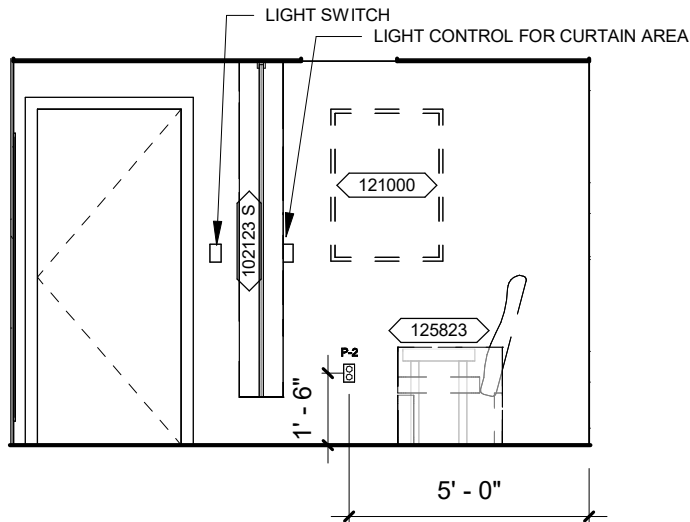
Space: Nursing Mothers Room (Double)	Department: General	Area: 132 SF
Drawing: Elevations	Drawing Scale: 1/4" = 1'-0"	Last Update: 12/20/2024



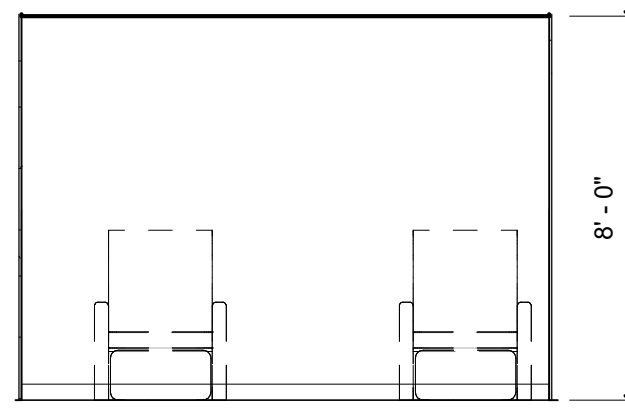
① NORTH ELEVATION
 1/4" = 1'-0"



② EAST ELEVATION
 1/4" = 1'-0"



③ SOUTH ELEVATION
 1/4" = 1'-0"



④ WEST ELEVATION
 1/4" = 1'-0"

Space Design Guidelines - Basis of Design

Space: Nursing Mothers Room (Double)	Department: General	Area: 132 SF
Drawing: Component Schedule	Drawing Scale: NTS	Last Update: 12/20/2024

UTSW ID	Product / Manuf / Item	Qty	LF	Utilities								Furnish	Comments	
				1	2	3	4	5	6	7	8			
087100 DS	Door Stop	1		-	-	-	-	-	-	-	-	-	CFCI	
088313 6	Mirror, Float Glass, With SS Frame, 2' X 6'	1		-	-	-	-	-	-	-	-	-	CFCI	
102123 C	Curved Track, Surface Mounted, With Curtain	1	5'-5" x 6'-10"	-	-	-	-	-	-	-	-	-	CFCI	IA specifies curtain
102123 S	Straight Track, Cubicle, Surface Mounted, With Curtain	1	5' - 7"	-	-	-	-	-	-	-	-	-	CFCI	IA specifies curtain
102813 PT	Dispenser, Paper Towel, SS, Surface Mounted	1		-	-	-	-	-	-	-	-	-	CFCI	*Confirm per contract/lease requirements
102813 SD	Dispenser, Soap, Disposable	1		-	-	-	-	-	-	-	-	-	CFCI	*Confirm per contract/lease requirements
102826 HS	Hand Sanitizer, Wall Mtd.	1		-	-	-	-	-	-	-	-	-	CFCI	*Confirm per contract/lease requirements
121000	Artwork, Decorative, With Frame	2		-	-	-	-	-	-	-	-	-	OFOI	
125213 R	Reclining Chair	2		-	-	-	-	-	-	-	-	-	OFOI	
125823	Table - Small - Square	2		-	-	-	-	-	-	-	-	-	OFOI	
129323 W	Waste, Black, Fire Resistant	1		-	-	-	-	-	-	-	-	-	OFOI	
224216 L	Sink, bottom mount, solid surface	1		Y	-	-	-	-	-	-	-	-	CFCI	
275313 C	Clock, Digital, Wireless	1		-	-	-	-	-	-	-	-	-	OFOI	
RM-SGN	Room Sign, Per Standards	1		-	-	-	-	-	-	-	-	-	CFCI	Location confirmed by UTSW PM and UTSW sign shop

Utilities Key

- | | |
|-------------------------------------|----------------------------------|
| 1. Water / Drain - 1 sink and drain | 5. Non MedGas |
| 2. Electricity - Standard power | 6. Vacuum |
| 3. MedGas | 7. Data - Data and clinical data |
| 4. Misc Gas | 8. Misc. |

Furnish Key

- OFOI - Owner Furnished, Owner Installed
 OFVI - Owner Furnished, Vendor Installed
 OFCI - Owner Furnished, Contractor Installed
 CFCI - Contractor Furnished, Contractor Installed

Space Design Guidelines - Basis of Design

Space: Nursing Mothers Room (Double)	Department: General	Area: 132 SF
Drawing: Data/Power Schedule	Drawing Scale: NTS	Last Update: 12/20/2024

Electrical Fixtures

USTW ID	Item	Qty.
P-2	Power - Duplex - 120 V	4

Data Fixtures

UTSW ID	Item	Qty
----------------	-------------	------------

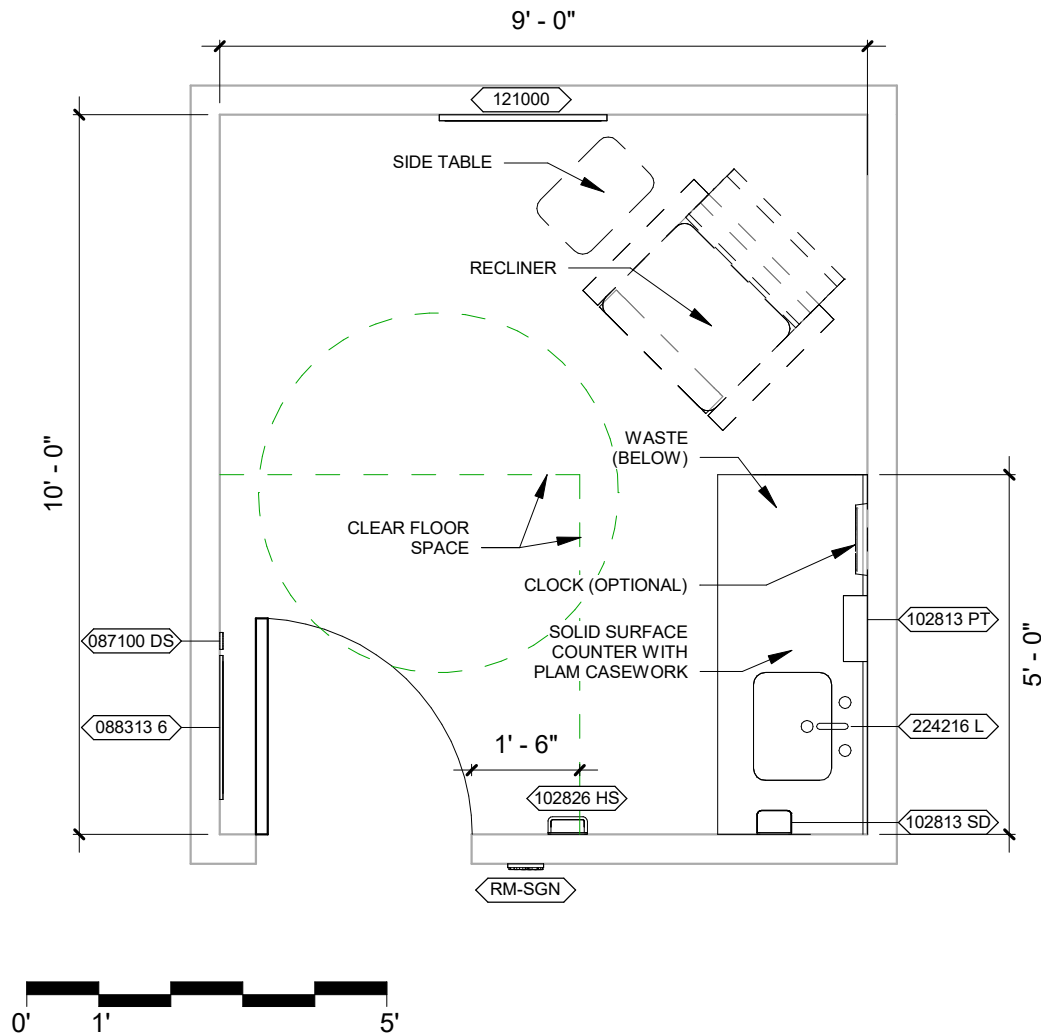
Space Design Guidelines - Basis of Design

Space:	Nursing Mothers Room - Individual	Department:	General	Area:	90 SF
Drawing:	Room Isometric	Drawing Scale:	NTS	Last Update:	12/20/2024



Space Design Guidelines - Basis of Design

Space: Nursing Mothers Room - Individual	Department: General	Area: 90 SF
Drawing: Floor Plan	Drawing Scale: 3/8" = 1'-0"	Last Update: 12/20/2024



Space Narrative:

Information provided shall be confirmed with UTSW PM.

Furnish assignments shall be confirmed by the UTSW PM. Entity furnishing paper towel and soap dispensers shall be confirmed per project location and lease requirements.

Dashed equipment is specified per project by UTSW

Items noted with symbol are shown on the Component Schedule

Privacy and locking requirements to be confirmed with User Group. Refer to Section 08 71 00 "Master Door Hardware Sets" for typical types. Single occupancy could have standard privacy lock with indicator or a keypad.

UTSW Special Considerations:

Flooring: LVT

Base: Rubber Base

Ceiling: 2x2 ACT

Walls: Paint

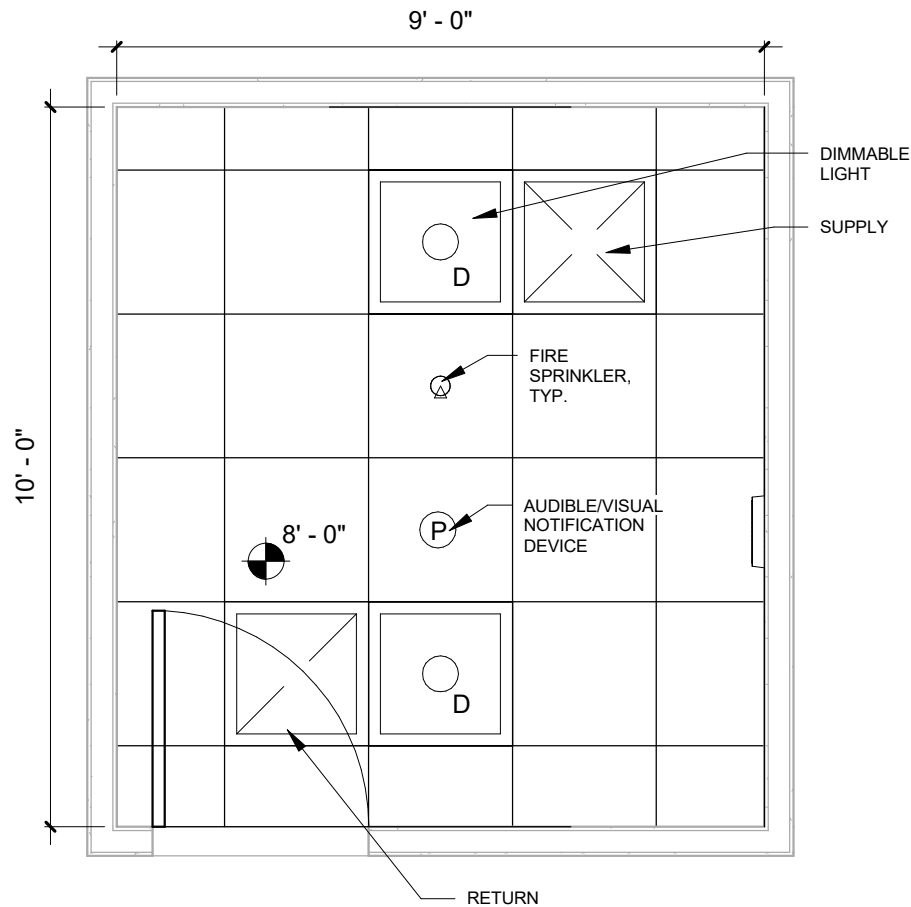
Casework: Plastic Laminate, extend upper casework to ceiling grid

Countertops: Solid Surface

Blocking (BLKG) by GC shall be coordinated prior to installation.

Space Design Guidelines - Basis of Design

Space: Nursing Mothers Room - Individual	Department: General	Area: 90 SF
Drawing: Reflected Ceiling Plan	Drawing Scale: 3/8" = 1'-0"	Last Update: 12/20/2024



Space Narrative:

Fire and life safety elements will be designed and laid out per project requirements.

Typical 2x2 ACT ceiling.

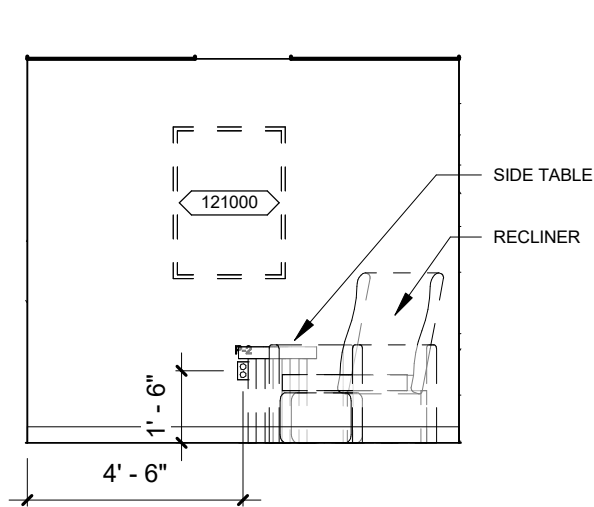
UTSW Special Considerations:

Refer to UTSW Design Guidelines to confirm light fixture types appropriate per project.

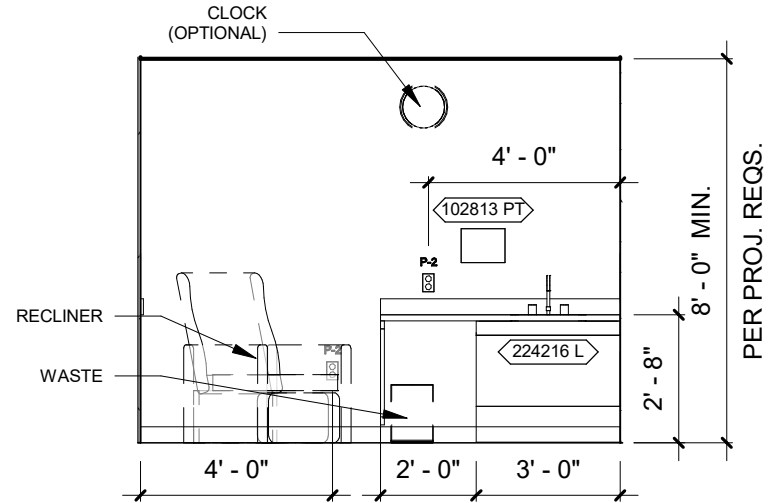
Lights are preferred to be dimmable. Confirm scope with UTSW PM.

Space Design Guidelines - Basis of Design

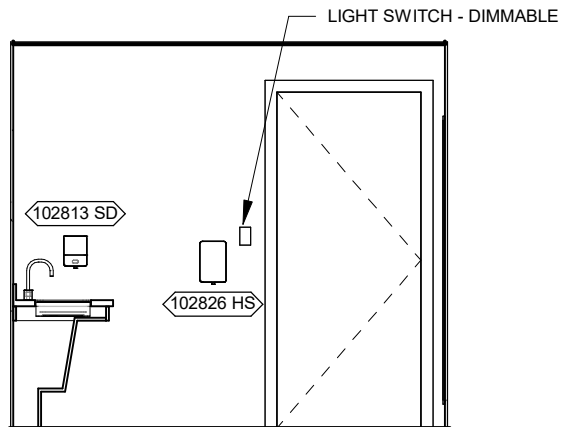
Space: Nursing Mothers Room - Individual	Department: General	Area: 90 SF
Drawing: Elevations	Drawing Scale: 1/4" = 1'-0"	Last Update: 12/20/2024



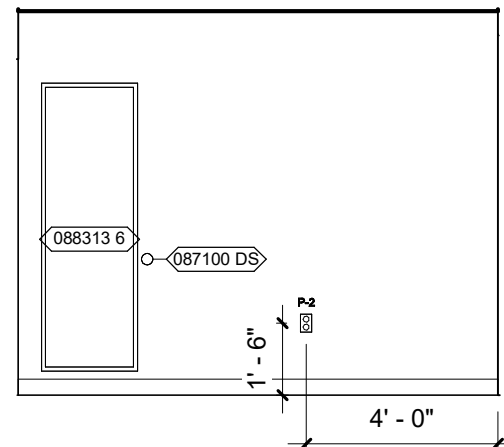
① **NORTH ELEVATION**
 1/4" = 1'-0"



② **EAST ELEVATION**
 1/4" = 1'-0"



③ **SOUTH ELEVATION**
 1/4" = 1'-0"



④ **WEST ELEVATION**
 1/4" = 1'-0"

Space Design Guidelines - Basis of Design

Space: Nursing Mothers Room - Individual	Department: General	Area: 90 SF
Drawing: Component Schedule	Drawing Scale: NTS	Last Update: 12/20/2024

UTSW ID	Product / Manuf / Item	Qty	LF	Utilities								Furnish	Comments	
				1	2	3	4	5	6	7	8			
087100 DS	Door Stop	1		-	-	-	-	-	-	-	-	-	CFCI	
088313 6	Mirror, Float Glass, With SS Frame, 2' X 6'	1		-	-	-	-	-	-	-	-	-	CFCI	
102813 PT	Dispenser, Paper Towel, SS, Surface Mounted	1		-	-	-	-	-	-	-	-	-	CFCI	*Confirm per contract/lease requirements
102813 SD	Dispenser, Soap, Disposable	1		-	-	-	-	-	-	-	-	-	CFCI	*Confirm per contract/lease requirements
102826 HS	Hand Sanitizer, Wall Mtd.	1		-	-	-	-	-	-	-	-	-	CFCI	*Confirm per contract/lease requirements
121000	Artwork, Decorative, With Frame	1		-	-	-	-	-	-	-	-	-	OFOI	
125213 R	Reclining Chair	1		-	-	-	-	-	-	-	-	-	OFOI	
125823	Table - Small - Square	1		-	-	-	-	-	-	-	-	-	OFOI	
129323 W	Waste, Black, Fire Resistant	1		-	-	-	-	-	-	-	-	-	OFOI	
224216 L	Sink, bottom mount, solid surface	1		Y	-	-	-	-	-	-	-	-	CFCI	
275313 C	Clock	1		-	-	-	-	-	-	-	-	-	OFOI	
RM-SGN	Room Sign, Per Standards	1		-	-	-	-	-	-	-	-	-	CFCI	Location confirmed by UTSW PM and UTSW sign shop

Utilities Key

- | | |
|-------------------------------------|----------------------------------|
| 1. Water / Drain - 1 sink and drain | 5. Non MedGas |
| 2. Electricity - Standard power | 6. Vacuum |
| 3. MedGas | 7. Data - Data and clinical data |
| 4. Misc Gas | 8. Misc. |

Furnish Key

- OFOI - Owner Furnished, Owner Installed
 OFVI - Owner Furnished, Vendor Installed
 OFCI - Owner Furnished, Contractor Installed
 CFCI - Contractor Furnished, Contractor Installed

Space Design Guidelines - Basis of Design

Space:	Nursing Mothers Room - Individual	Department:	General	Area:	90 SF
Drawing:	Data/Power Schedule	Drawing Scale:	NTS	Last Update:	12/20/2024

Electrical Fixtures

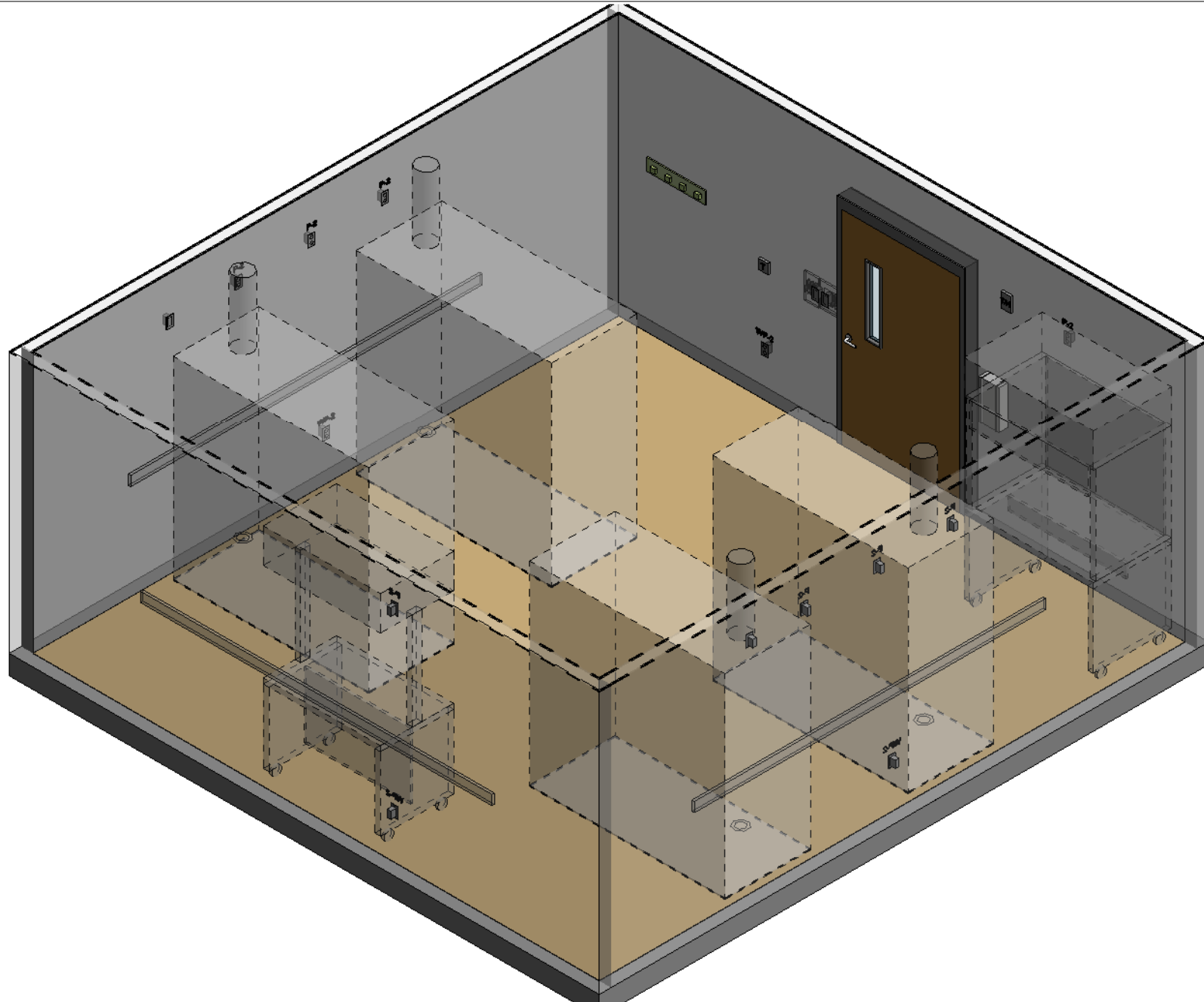
USTW ID	Item	Qty.
P-2	Power - Duplex - 120 V	4

Data Fixtures

UTSW ID	Item	Qty
----------------	-------------	------------

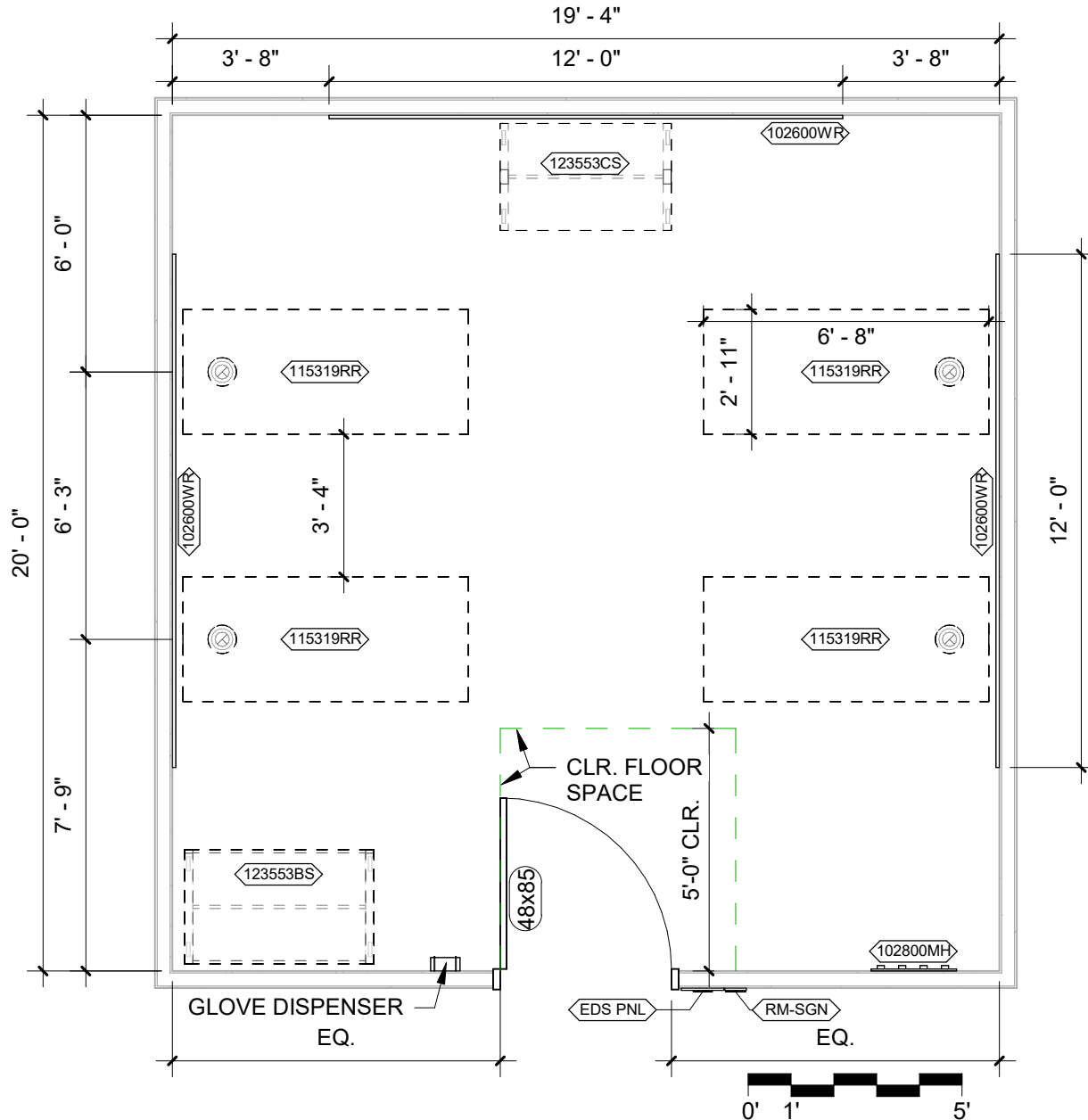
Space Design Guidelines - Basis of Design

Space:	Rodent Housing - 4 Rack	Department:	Animal Resource Center	Area:	387 SF
Drawing:	Room Isometric	Drawing Scale:	NTS	Last Update:	12/20/2024



Space Design Guidelines - Basis of Design

Space: Rodent Housing - 4 Rack	Department: Animal Resource Center	Area: 387 SF
Drawing: Floor Plan	Drawing Scale: 1/4" = 1'-0"	Last Update: 12/20/2024



Space Narrative:

Information provided shall be confirmed with UTSW PM and ARC User Representative.

Furnish assignments shall be confirmed by the UTSW PM.

Dashed equipment is specified per project by UTSW

Items noted with symbol are shown on the Component Schedule

Refer to UTSW Design Guidelines including ARC Design Requirements for each project.

Spacing considerations shall include up to 6 racks in this space. Additional infrastructure shall reflect ability for growth.

UTSW Special Considerations:

Flooring: Seamless floor Options include: Epoxy and Quartz Resinous (confirm project requirements for specific type)

Base: 6" Coved, Integral

Walls: Epoxy Paint, non-toxic

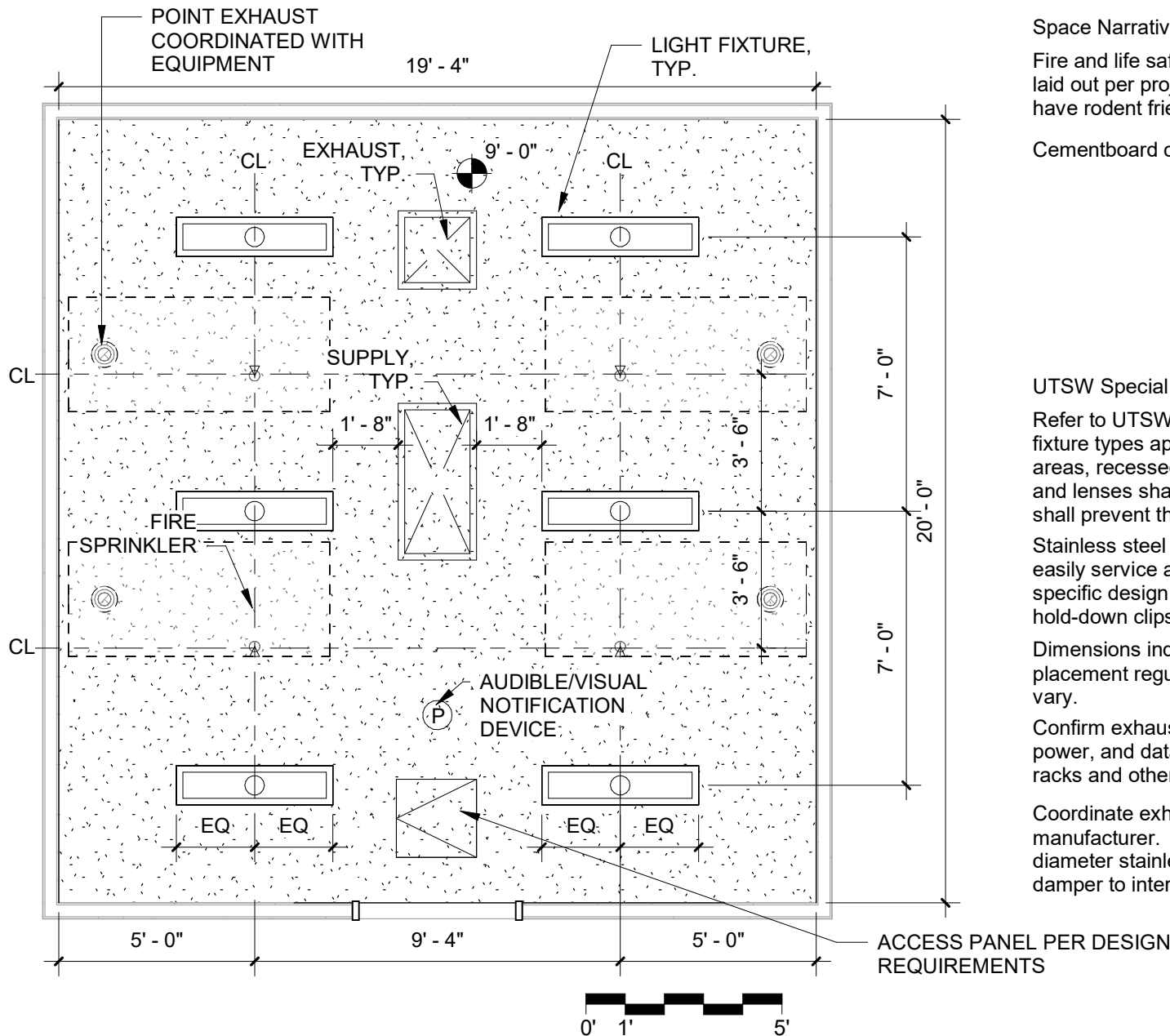
Blocking (BLKG) by GC shall be coordinated prior to installation.

Door shall be self-closing with sound-attenuating properties including quiet closing, sound seals, tight fitting seals, and drop down door sweep. Doorway must provide for easy movement of carts. Confirm project requirements for diurnal light cycle adherence.

Confirm if project will provide Avidity System for: Data Management, Reverse Osmosis Auto Water, Stainless Steel Room Distribution System, Pressure Reducing Stations, and/or Pin Code Room Access.

Space Design Guidelines - Basis of Design

Space: Rodent Housing - 4 Rack	Department: Animal Resource Center	Area: 387 SF
Drawing: Reflected Ceiling Plan	Drawing Scale: 1/4" = 1'-0"	Last Update: 12/20/2024



Space Narrative:

Fire and life safety elements will be designed and laid out per project requirements. Rodent areas to have rodent friendly fire alarm systems.

Cementboard ceiling with epoxy paint.

UTSW Special Considerations:

Refer to UTSW Design Guidelines to confirm light fixture types appropriate per project. Within animal areas, recessed fixtures shall have triple gaskets and lenses shall be smooth side out. Installation shall prevent the accumulation of dust.

Stainless steel access panels shall be located to easily service above ceiling components per project specific design. All shall be fully gasketed with hold-down clips.

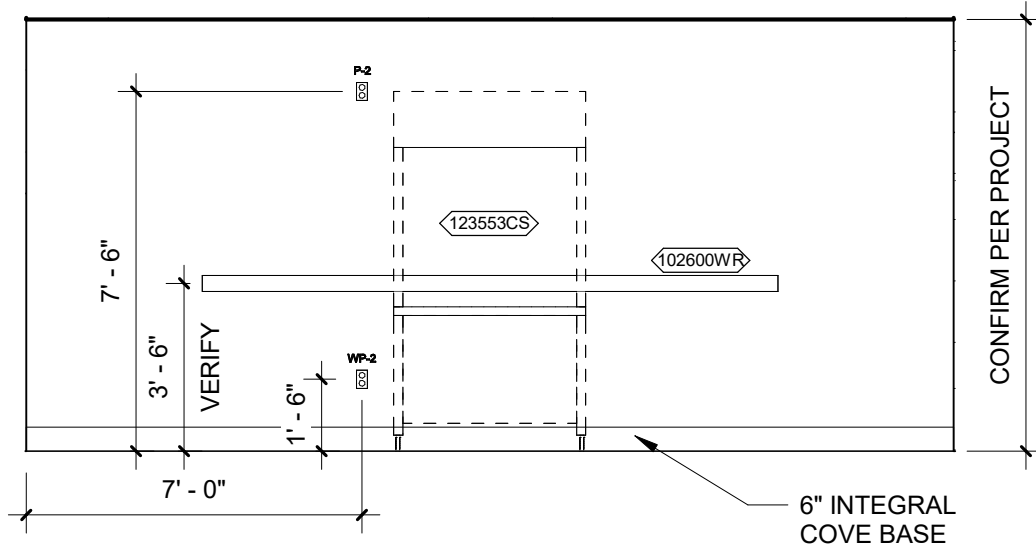
Dimensions indicated are intended to show placement regularity. Actual project conditions may vary.

Confirm exhaust duct, animal watering, emergency power, and data requirements for animal housing racks and other equipment per project.

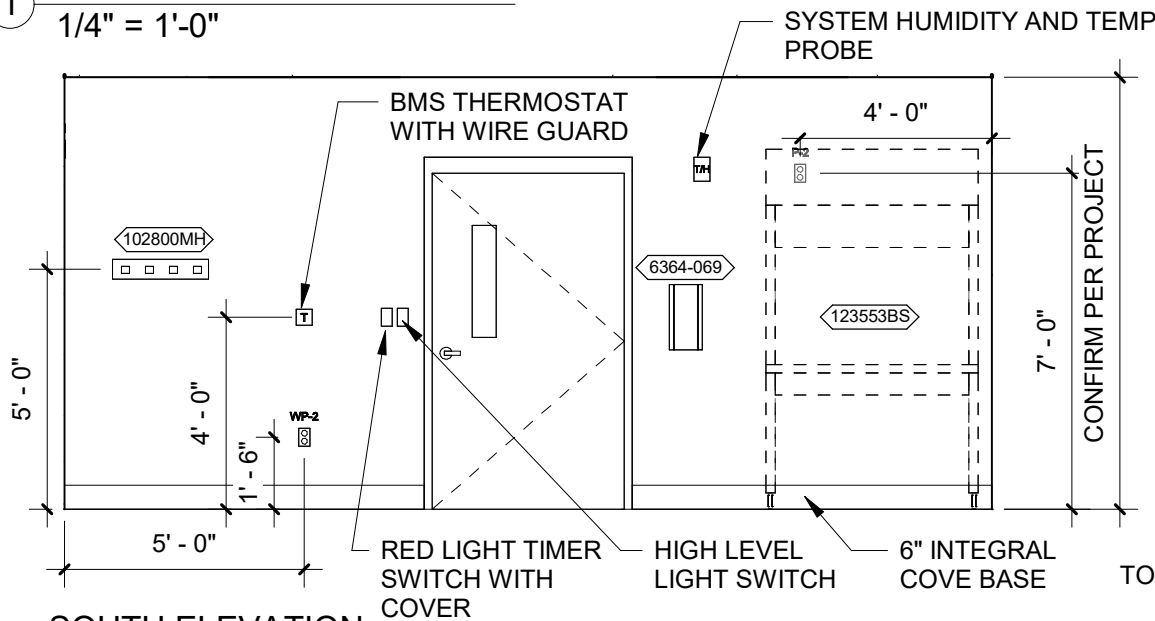
Coordinate exhaust with animal housing rack manufacturer. Infrastructure should include 4-inch diameter stainless steel ducts, escutcheon, and iris damper to interface with equipment.

Space Design Guidelines - Basis of Design

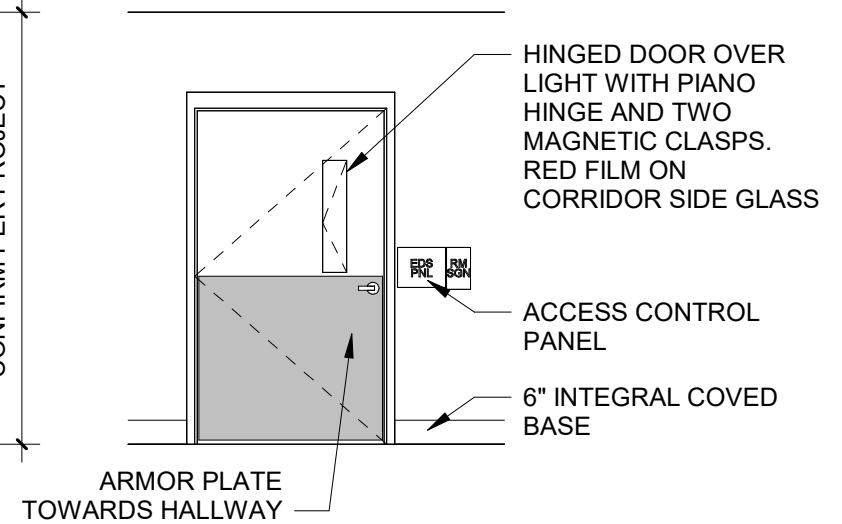
Space: Rodent Housing - 4 Rack	Department: Animal Resource Center	Area: 387 SF
Drawing: Elevations	Drawing Scale: 1/4" = 1'-0"	Last Update: 12/20/2024



① **NORTH ELEVATION**
 1/4" = 1'-0"



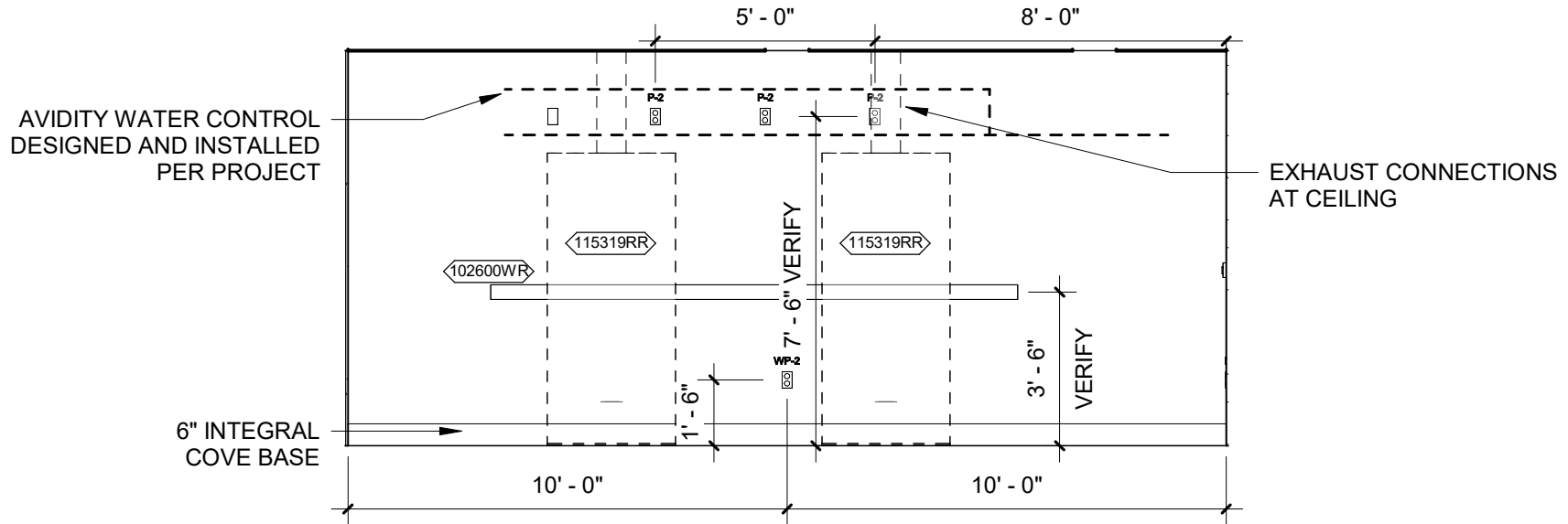
② **SOUTH ELEVATION**
 1/4" = 1'-0"



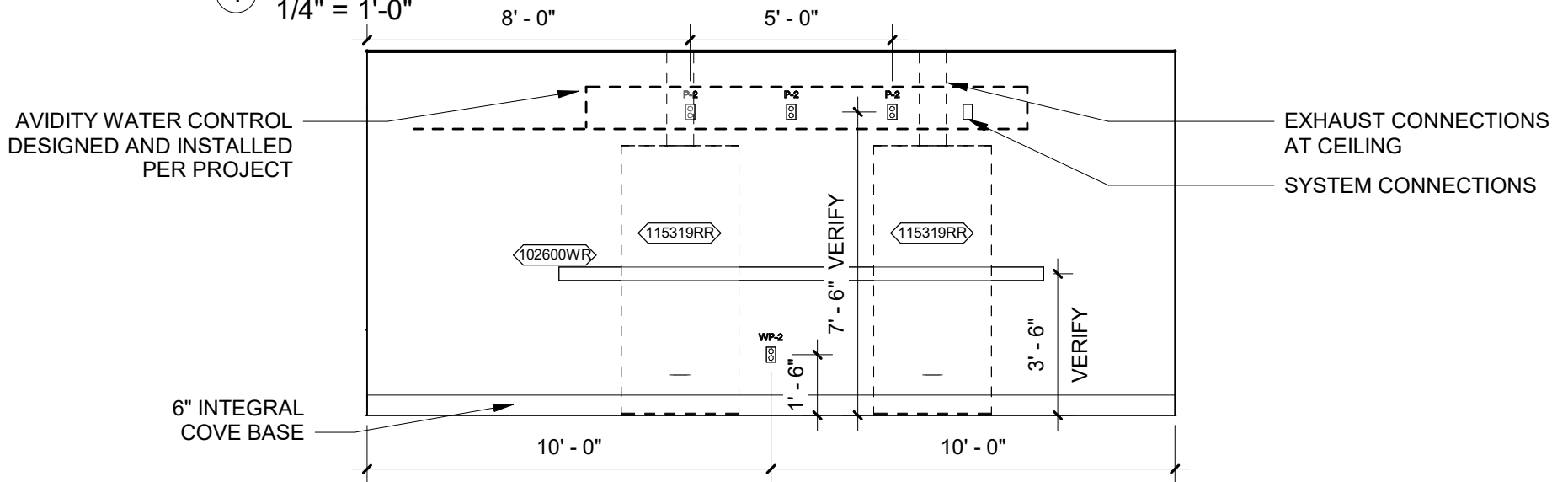
③ **4 RACK RODENT HOUSING - HALLWAY**
 1/4" = 1'-0"

Space Design Guidelines - Basis of Design

Space: Rodent Housing - 4 Rack	Department: Animal Resource Center	Area: 387 SF
Drawing: Elevations	Drawing Scale: 1/4" = 1'-0"	Last Update: 12/20/2024



① **EAST ELEVATION**
 1/4" = 1'-0"



② **WEST ELEVATION**
 1/4" = 1'-0"

Space Design Guidelines - Basis of Design

Space: Rodent Housing - 4 Rack	Department: Animal Resource Center	Area: 387 SF
Drawing: Component Schedule	Drawing Scale: NTS	Last Update: 12/20/2024

UTSW ID	Product / Manuf / Item	Qty	LF	Utilities								Furnish	Comments	
				1	2	3	4	5	6	7	8			
6364-069	3 Box Glove Dispenser, White Wire, Wall Mtd	1		-	-	-	-	-	-	-	-	-	OFOI	Model and location confirmed by UTSW PM
102600WR	Wall Rail	3	12' ea	-	Y	-	-	-	-	-	-	-	CFCI	Slim profile rubber wall bumper along extent of walls with racks. Confirm installation height per project.
102800MH	Mop Holder	1		-	-	-	-	-	-	-	-	-	CFCI	Stainless steel
115319RR	Ventilated Rodent Rack	4		-	Y	-	-	-	-	Y	Y		OFOI	Hard ducted stainless steel exhaust and power required.
123553BS	Biological Safety Cabinet	1		-	Y	-	-	-					OFOI	Confirm exhaust and recirculation requirements
123553CS	Animal Change Station	1		-	Y	-	-	-					OFOI	Power required
EDS PNL	Edstrom Panel	1		-	Y	-	-	-	-	Y	-		CFCI	Security and controls with Avidity system
RM-SGN	Room Sign, Per Standards	1		-	-	-	-	-	-	-	-		CFCI	Location confirmed by UTSW PM and UTSW sign shop

Utilities Key

- | | |
|-------------------------------------|----------------------------------|
| 1. Water / Drain - 1 sink and drain | 5. Non MedGas |
| 2. Electricity - Standard power | 6. Vacuum |
| 3. MedGas | 7. Data - Data and clinical data |
| 4. Misc Gas | 8. Misc. |

Furnish Key

- OFOI - Owner Furnished, Owner Installed
 OFVI - Owner Furnished, Vendor Installed
 OFCI - Owner Furnished, Contractor Installed
 CFCI - Contractor Furnished, Contractor Installed

Space Design Guidelines - Basis of Design

Space: Rodent Housing - 4 Rack	Department: Animal Resource Center	Area: 387 SF
Drawing: Data/Power Schedule	Drawing Scale: NTS	Last Update: 12/20/2024

Electrical Fixtures

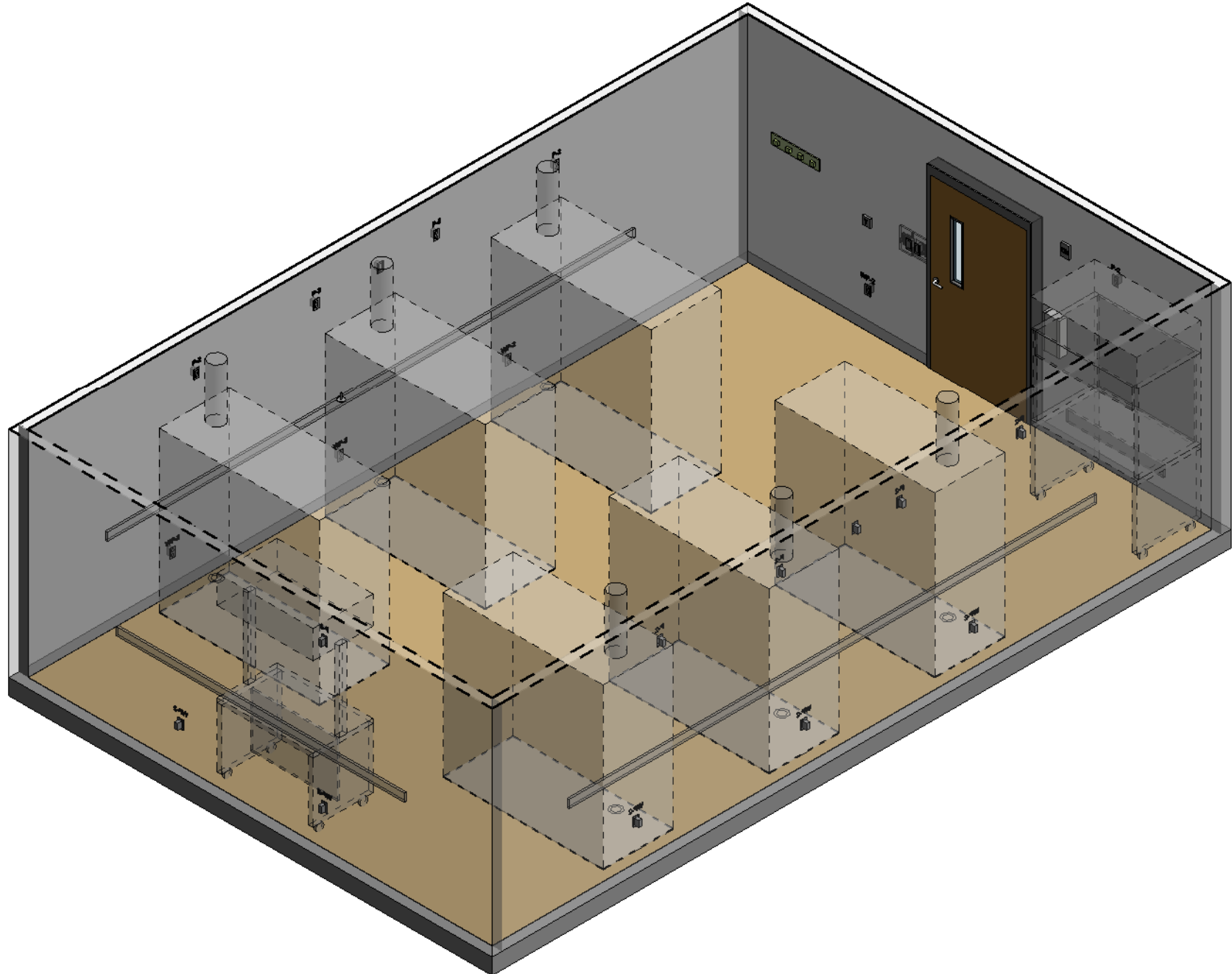
USTW ID	Item	Qty.	Comments
P-2	Power - Duplex - 120 V	8	Coordinate with project requirements
SGB	Single Gang Box	2	
WP-2	Weatherproof Power - Duplex - 120 V	4	

Data Fixtures

UTSW ID	Item	Qty
---------	------	-----

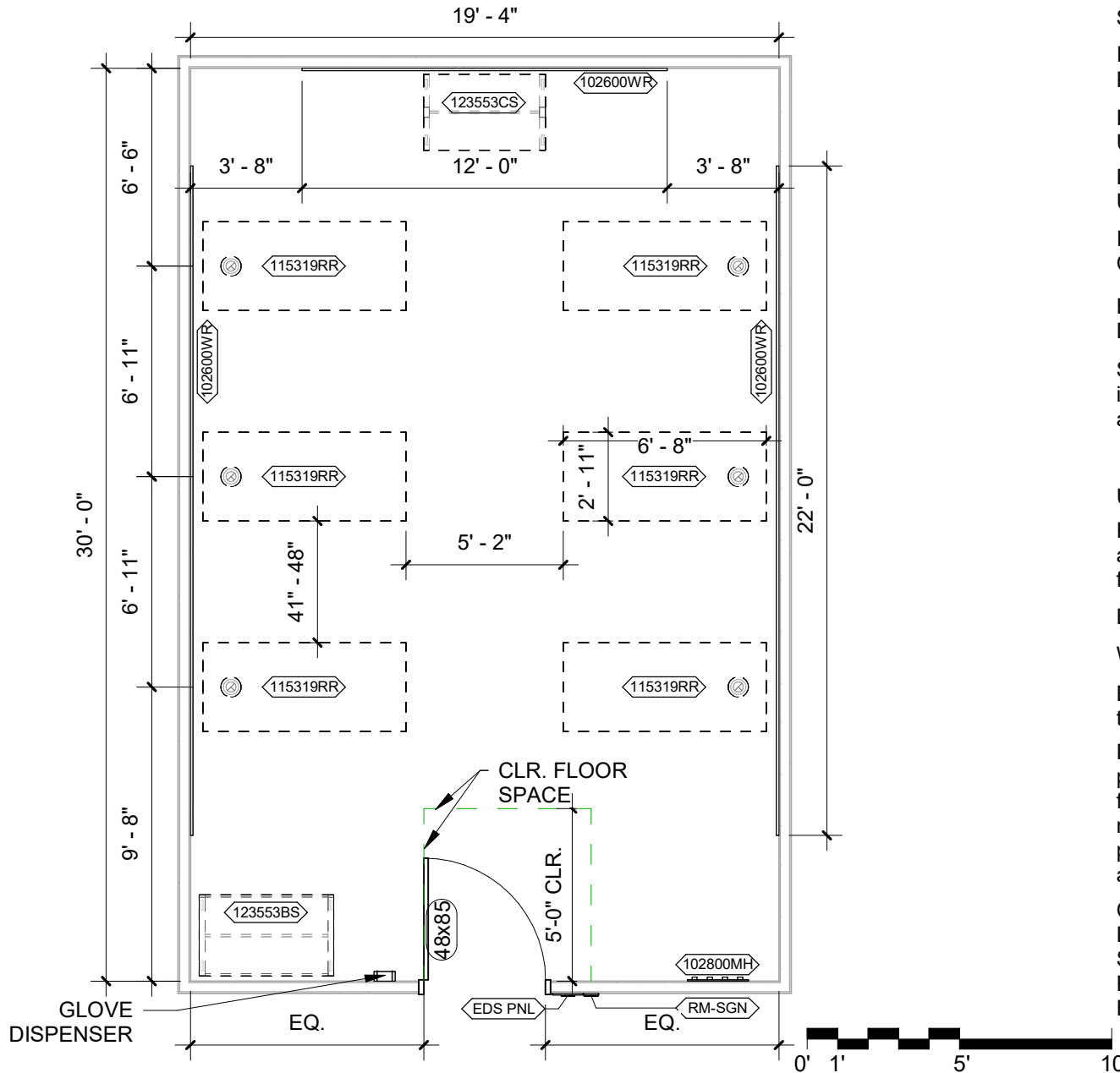
Space Design Guidelines - Basis of Design

Space:	Rodent Housing - 6 Rack	Department:	Animal Resource Center	Area:	580 SF
Drawing:	Room Isometric	Drawing Scale:	NTS	Last Update:	12/20/2024



Space Design Guidelines - Basis of Design

Space: Rodent Housing - 6 Rack	Department: Animal Resource Center	Area: 580 SF
Drawing: Floor Plan	Drawing Scale: 3/16" = 1'-0"	Last Update: 12/20/2024



Space Narrative:

Information provided shall be confirmed with UTSW PM and ARC User Representative.

Furnish assignments shall be confirmed by the UTSW PM.

Dashed equipment is specified per project by UTSW

Items noted with symbol are shown on the Component Schedule

Refer to UTSW Design Guidelines including ARC Design Requirements for each project.

Spacing considerations shall include up to 8 racks in this space. Additional infrastructure shall reflect ability for growth.

UTSW Special Considerations:

Flooring: Seamless floor Options include: Epoxy and Quartz Resinous (confirm project requirements for specific type)

Base: 6" Coved, Integral

Walls: Epoxy Paint, non-toxic

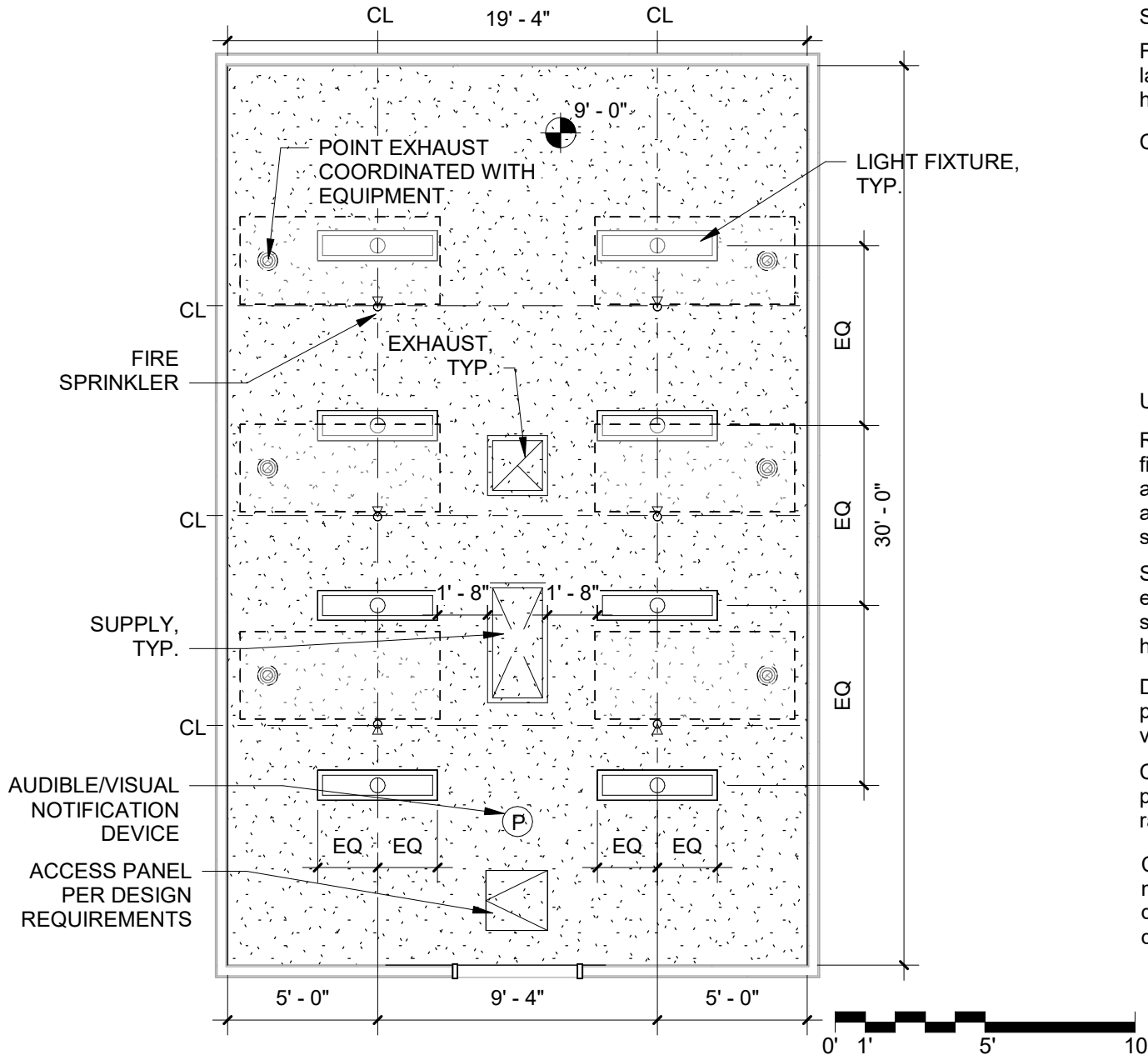
Blocking (BLKG) by GC shall be coordinated prior to installation.

Door shall be self-closing with sound-attenuating properties including quiet closing, sound seals, tight fitting seals, and drop down door sweep. Doorway must provide for easy movement of carts. Confirm project requirements for diurnal light cycle adherence.

Confirm if project will provide Avidity System for: Data Management, Reverse Osmosis Auto Water, Stainless Steel Room Distribution System, Pressure Reducing Stations, and/or Pin Code Room Access.

Space Design Guidelines - Basis of Design

Space: Rodent Housing - 6 Rack	Department: Animal Resource Center	Area: 580 SF
Drawing: Reflected Ceiling Plan	Drawing Scale: 3/16" = 1'-0"	Last Update: 12/20/2024



Space Narrative:

Fire and life safety elements will be designed and laid out per project requirements. Rodent areas to have rodent friendly fire alarm systems.

Cementboard ceiling with epoxy paint.

UTSW Special Considerations:

Refer to UTSW Design Guidelines to confirm light fixture types appropriate per project. Within animal areas, recessed fixtures shall have triple gaskets and lenses shall be smooth side out. Installation shall prevent the accumulation of dust.

Stainless steel access panels shall be located to easily service above ceiling components per project specific design. All shall be fully gasketed with hold-down clips.

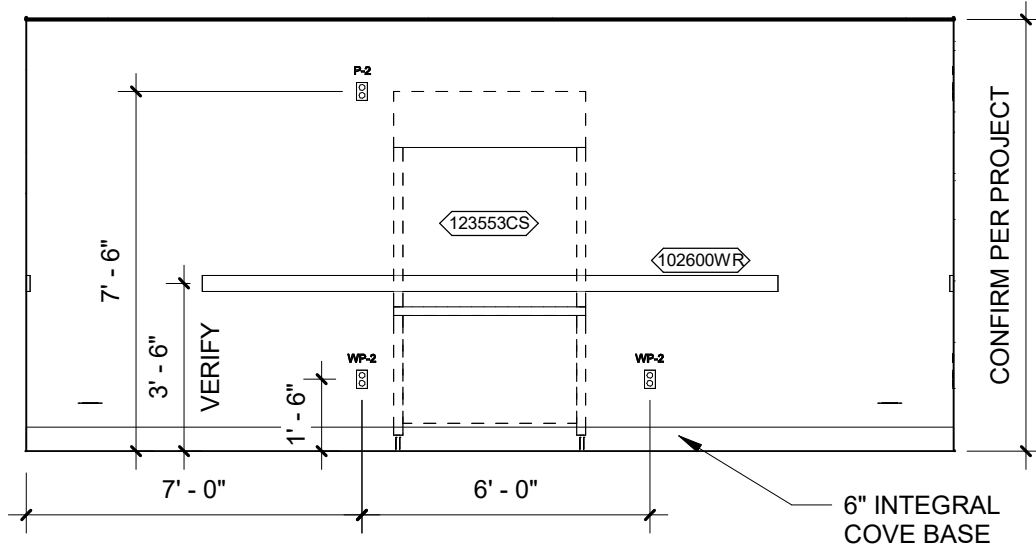
Dimensions indicated are intended to show placement regularity. Actual project conditions may vary.

Confirm exhaust duct, animal watering, emergency power, and data requirements for animal housing racks and other equipment per project.

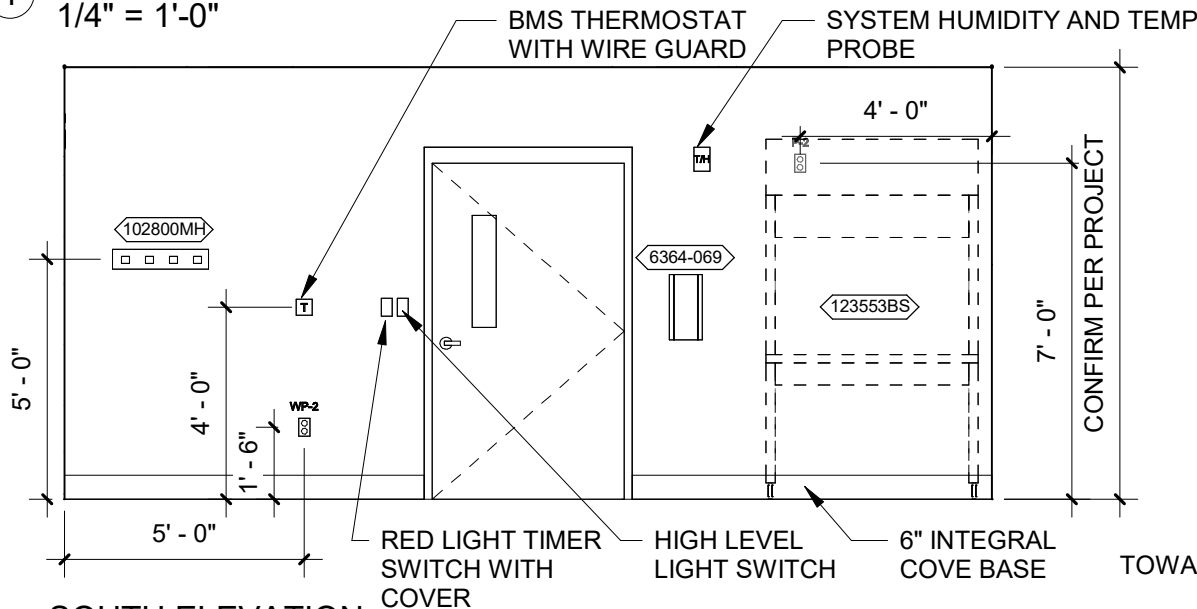
Coordinate exhaust with animal housing rack manufacturer. Infrastructure should include 4-inch diameter stainless steel ducts, escutcheon, and iris damper to interface with equipment.

Space Design Guidelines - Basis of Design

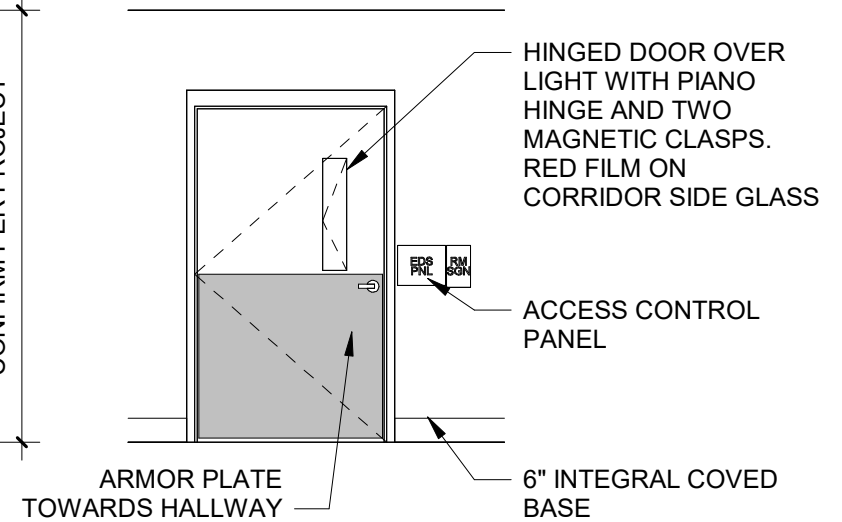
Space: Rodent Housing - 6 Rack	Department: Animal Resource Center	Area: 580 SF
Drawing: Elevations	Drawing Scale: 1/4" = 1'-0"	Last Update: 12/20/2024



① **NORTH ELEVATION**
 1/4" = 1'-0"



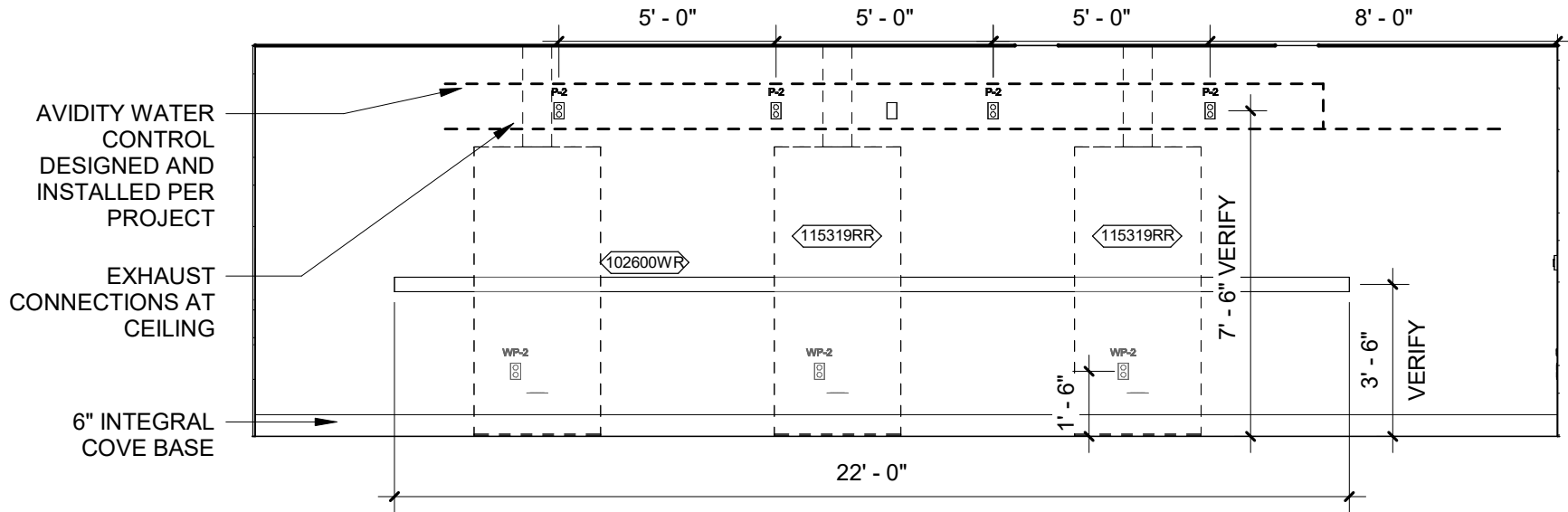
② **SOUTH ELEVATION**
 1/4" = 1'-0"



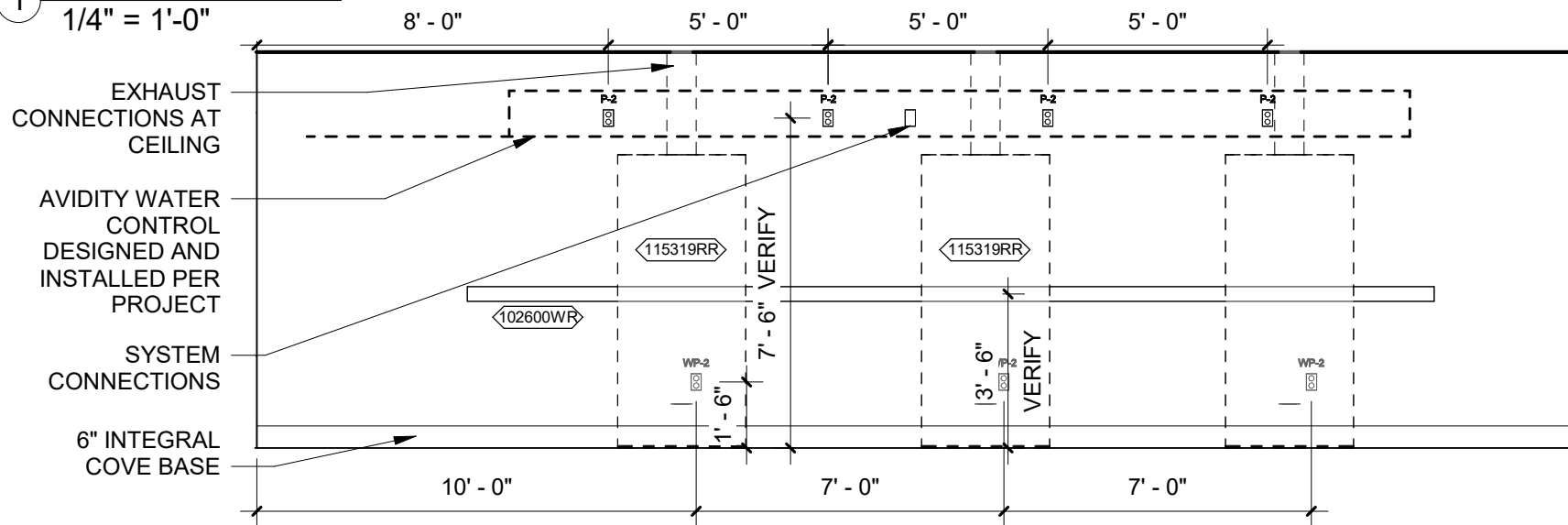
③ **6 RACK RODENT HOUSING - HALLWAY**
 1/4" = 1'-0"

Space Design Guidelines - Basis of Design

Space: Rodent Housing - 6 Rack	Department: Animal Resource Center	Area: 580 SF
Drawing: Elevations	Drawing Scale: 1/4" = 1'-0"	Last Update: 12/20/2024



① **EAST ELEVATION**
 1/4" = 1'-0"



② **WEST ELEVATION**
 1/4" = 1'-0"

Space Design Guidelines - Basis of Design

Space: Rodent Housing - 6 Rack	Department: Animal Resource Center	Area: 580 SF
Drawing: Component Schedule	Drawing Scale: NTS	Last Update: 12/20/2024

UTSW ID	Product / Manuf / Item	Qty	LF	Utilities								Furnish	Comments	
				1	2	3	4	5	6	7	8			
6364-069	3 Box Glove Dispenser, White Wire, Wall Mtd	1		-	-	-	-	-	-	-	-	-	OFOI	Model and location confirmed by UTSW PM
102600WR	Wall Rail	3	1 @ 12', 2 @ 22'	-	Y	-	-	-	-	-	-	-	CFCI	Slim profile rubber wall bumper along extent of walls with racks. Confirm installation height per project.
102800MH	Mop Holder	1		-	-	-	-	-	-	-	-	-	CFCI	Stainless steel
115319RR	Ventilated Rodent Rack	6		-	Y	-	-	-	-	Y	Y		OFOI	Hard ducted stainless steel exhaust and power required.
123553BS	Biological Safety Cabinet	1		-	Y	-	-	-					OFOI	Confirm exhaust and recirculation requirements
123553CS	Animal Change Station	1		-	Y	-	-	-					OFOI	Power required
EDS PNL	Edstrom Panel	1		-	Y	-	-	-	-	Y	-		CFCI	Security and controls with Avidity system
RM-SGN	Room Sign, Per Standards	1		-	-	-	-	-	-	-	-		CFCI	Location confirmed by UTSW PM and UTSW sign shop

Utilities Key

- | | |
|-------------------------------------|----------------------------------|
| 1. Water / Drain - 1 sink and drain | 5. Non MedGas |
| 2. Electricity - Standard power | 6. Vacuum |
| 3. MedGas | 7. Data - Data and clinical data |
| 4. Misc Gas | 8. Misc. |

Furnish Key

- OFOI - Owner Furnished, Owner Installed
- OFVI - Owner Furnished, Vendor Installed
- OFCI - Owner Furnished, Contractor Installed
- CFCI - Contractor Furnished, Contractor Installed

Space Design Guidelines - Basis of Design

Space: Rodent Housing - 6 Rack	Department: Animal Resource Center	Area: 580 SF
Drawing: Data/Power Schedule	Drawing Scale: NTS	Last Update: 12/20/2024

Electrical Fixtures

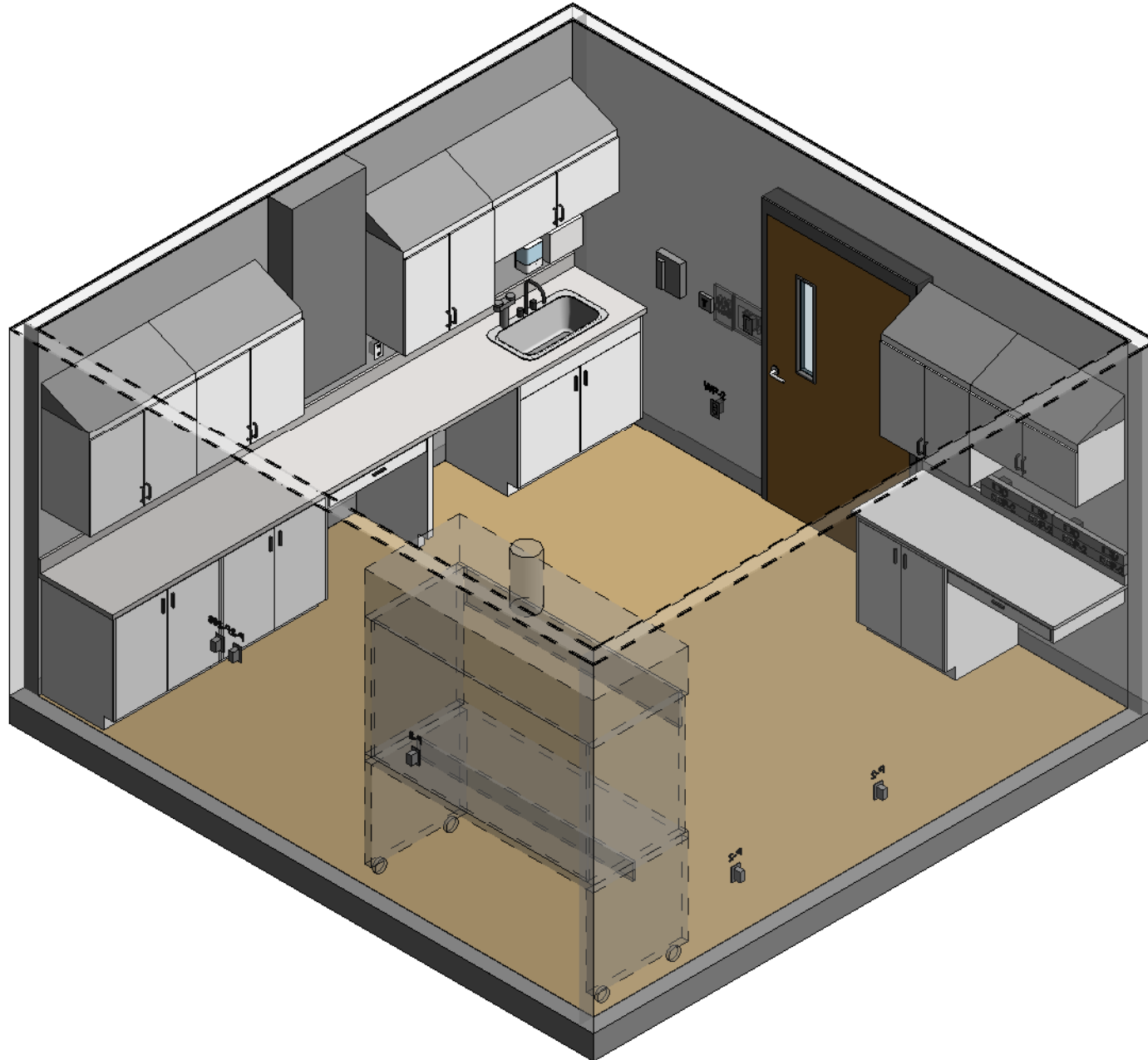
USTW ID	Item	Qty.	Comments
P-2	Power - Duplex - 120 V	10	Coordinate with project requirements
SGB	Single Gang Box	2	
WP-2	Weatherproof Power - Duplex - 120 V	9	

Data Fixtures

UTSW ID	Item	Qty
---------	------	-----

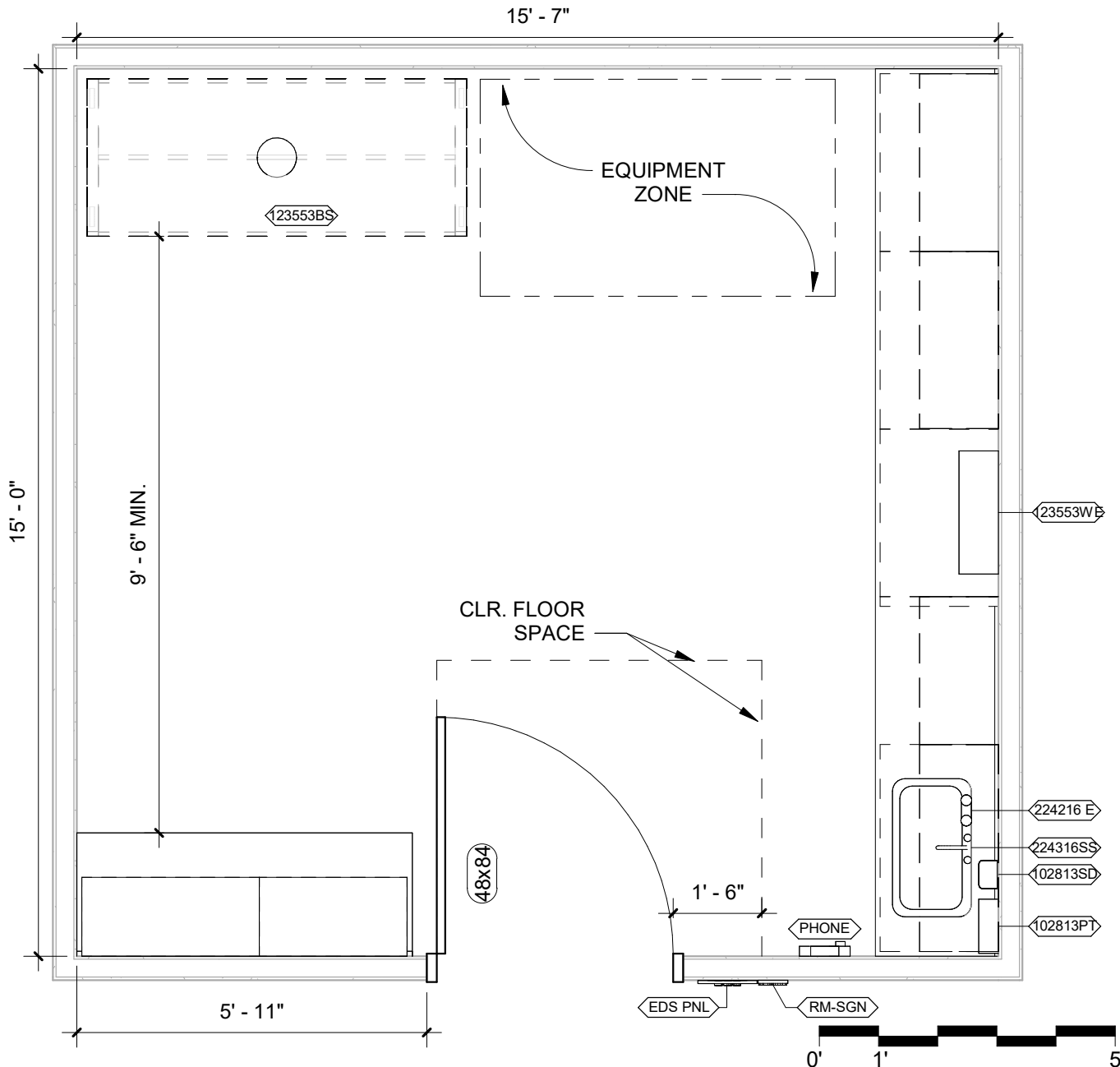
Space Design Guidelines - Basis of Design

Space:	Rodent Procedure - Type A	Department:	Animal Resource Center	Area:	234 SF
Drawing:	Room Isometric	Drawing Scale:	NTS	Last Update:	12/20/2024



Space Design Guidelines - Basis of Design

Space: Rodent Procedure - Type A	Department: Animal Resource Center	Area: 234 SF
Drawing: Floor Plan	Drawing Scale: 3/8" = 1'-0"	Last Update: 12/20/2024



Space Narrative:

Information provided shall be confirmed with UTSW PM.

Furnish assignments shall be confirmed by the UTSW PM.

Dashed equipment is specified per project by UTSW

Items noted with symbol are shown on the Component Schedule

Refer to UTSW Design Guidelines including ARC Design Requirements for each project.

Procedure rooms must serve a variety of groups as well as multiple simultaneous teams. Flexibility and easy circulation are important considerations.

UTSW Special Considerations:

Flooring: Seamless floor options include: Epoxy and Quartz Resinous. Confirm type for project requirements.

Base: 6" Coved, Integral

Ceiling: Cementboard ceiling with epoxy paint

Walls: Epoxy Paint, non-toxic

Cabinets: Powder Coated Metal

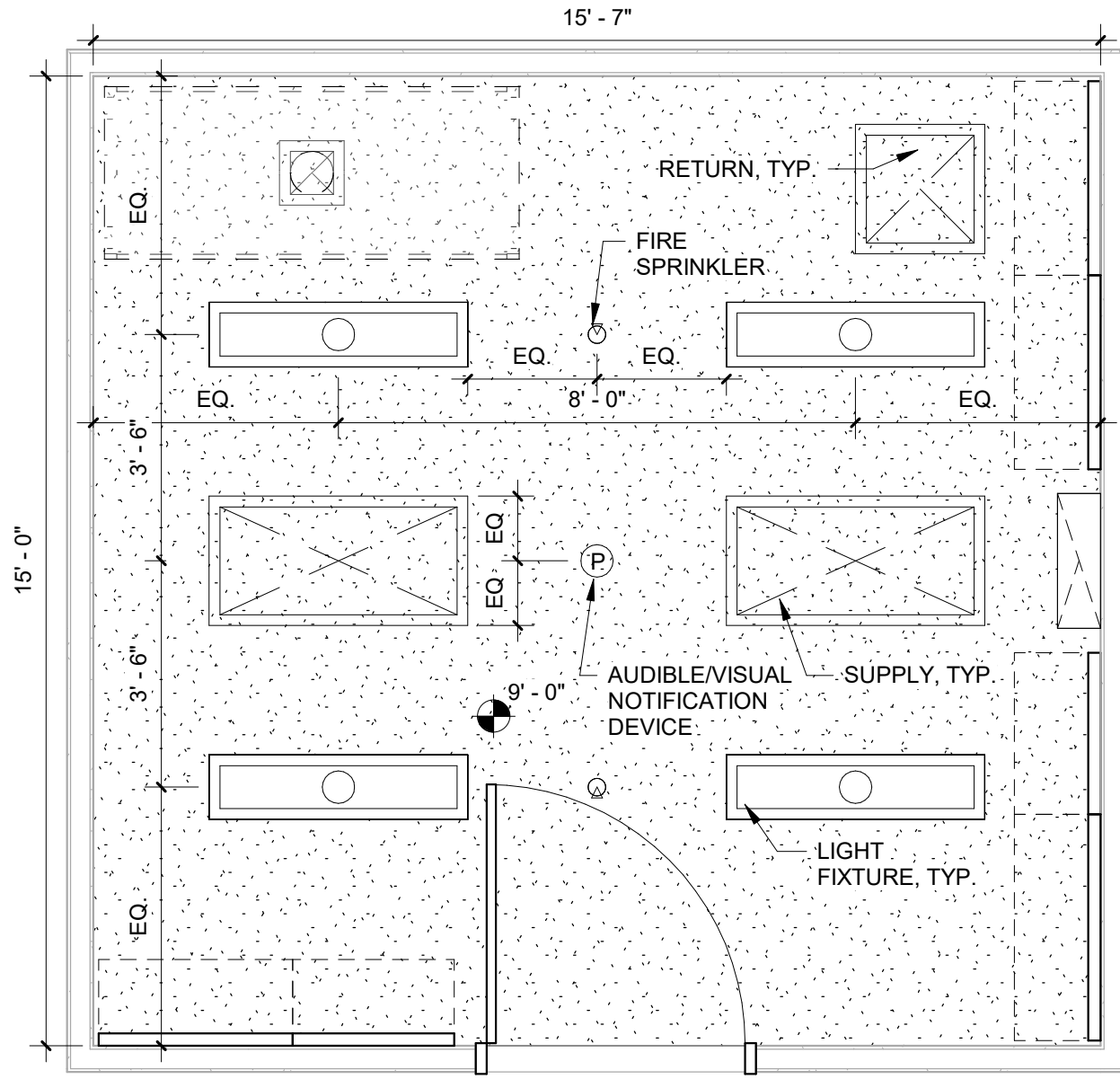
Countertops: Stainless Steel

Blocking (BLKG) by GC shall be coordinated prior to installation.

Door shall be self-closing with sound-attenuating properties including quiet closing, sound seals, tight fitting seals, and drop down door sweeps. Doorway must provide for easy movement of carts.

Space Design Guidelines - Basis of Design

Space: Rodent Procedure - Type A	Department: Animal Resource Center	Area: 234 SF
Drawing: Reflected Ceiling Plan	Drawing Scale: 3/8" = 1'-0"	Last Update: 12/20/2024



Space Narrative:

Fire and life safety elements will be designed and laid out per project requirements. Rodent areas to have rodent friendly fire alarm systems.

Cementboard ceiling with epoxy paint.

UTSW Special Considerations:

Refer to UTSW Design Guidelines to confirm light fixture types appropriate per project. Within animal areas, recessed fixtures shall have triple gaskets and lenses shall be smooth side out. Installation shall prevent the accumulation of dust.

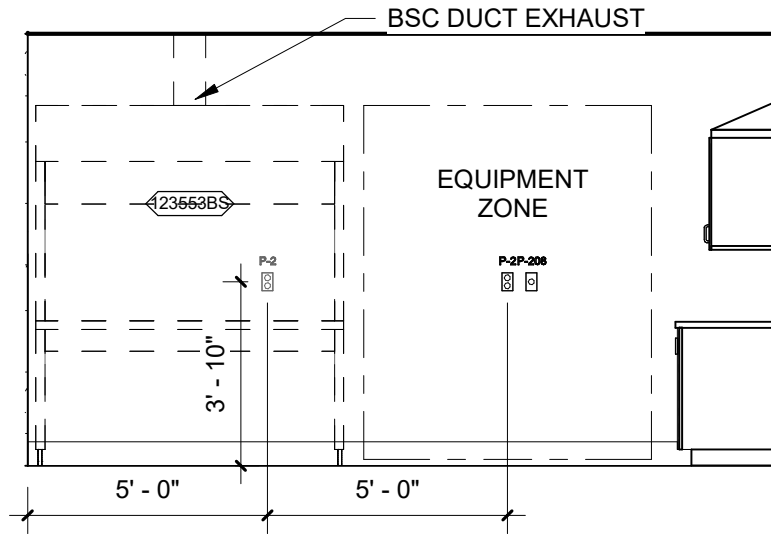
Dimensions indicated are intended to show placement regularity. Actual project conditions may vary.

Stainless steel access panels shall be located to easily service above ceiling components per project specific design. All shall be fully gasketed with hold-down clips.

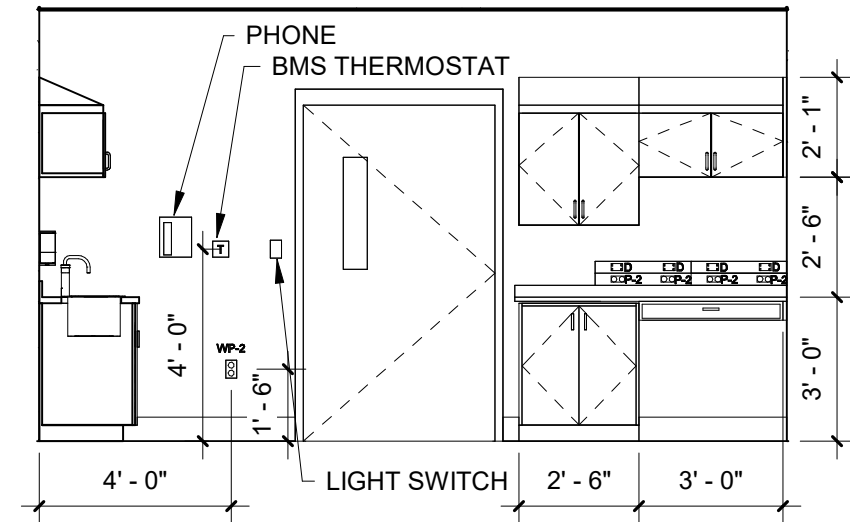
Confirm exhaust duct, power, and data requirements for user provided equipment per project.

Space Design Guidelines - Basis of Design

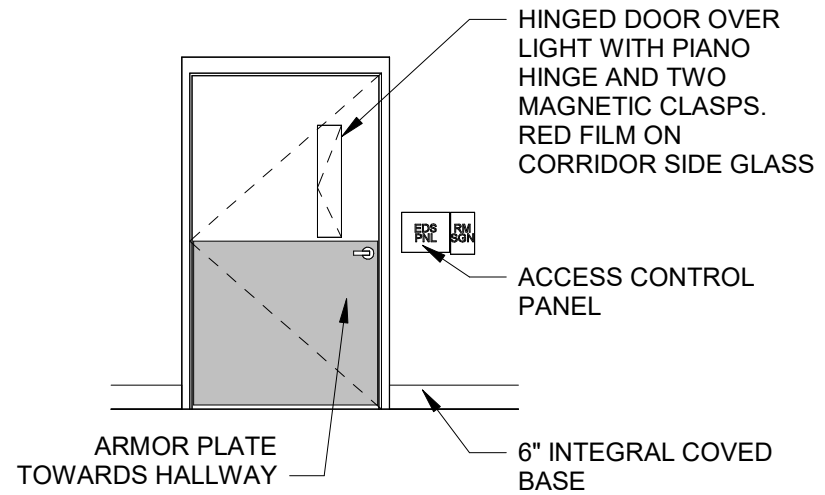
Space: Rodent Procedure - Type A	Department: Animal Resource Center	Area: 234 SF
Drawing: Elevations	Drawing Scale: 1/4" = 1'-0"	Last Update: 12/20/2024



① NORTH ELEVATION
 1/4" = 1'-0"



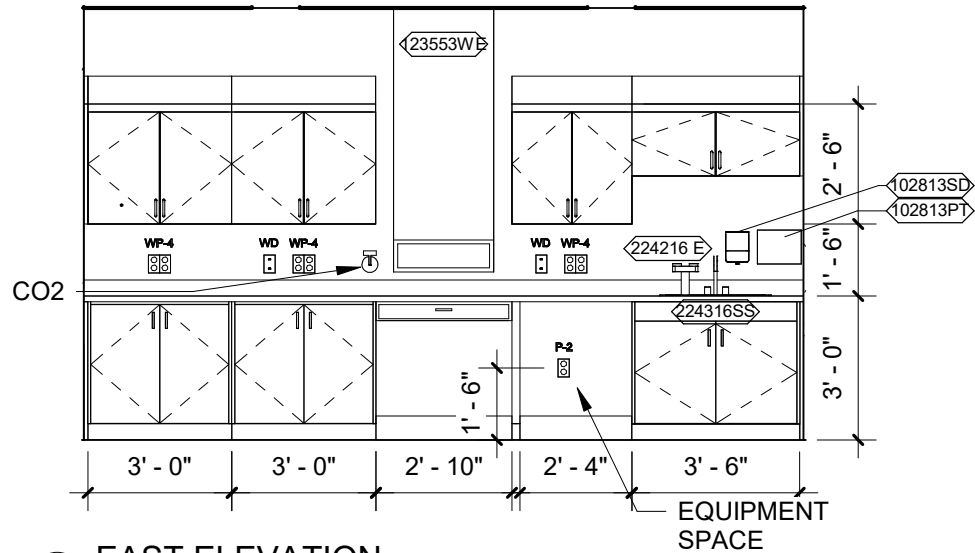
② SOUTH ELEVATION
 1/4" = 1'-0"



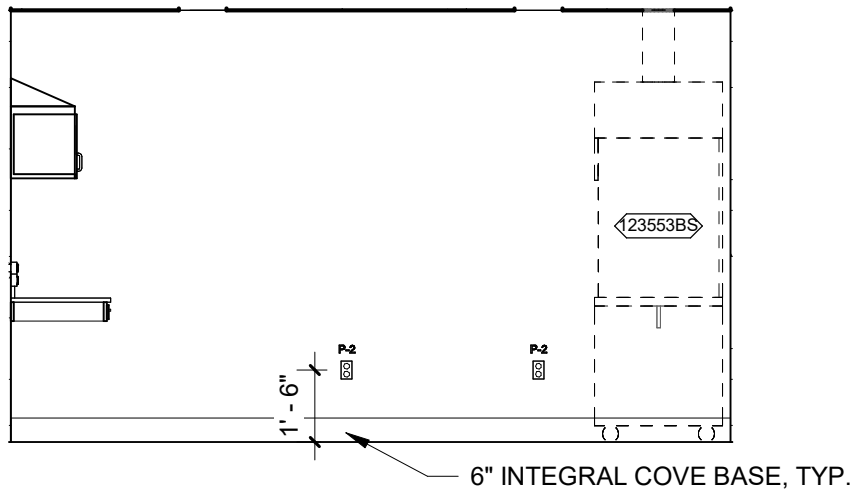
③ HALLWAY ELEVATION
 1/4" = 1'-0"

Space Design Guidelines - Basis of Design

Space: Rodent Procedure - Type A	Department: Animal Resource Center	Area: 234 SF
Drawing: Elevations	Drawing Scale: 1/4" = 1'-0"	Last Update: 12/20/2024



1 EAST ELEVATION
 1/4" = 1'-0"



2 WEST ELEVATION
 1/4" = 1'-0"

Space Design Guidelines - Basis of Design

Space: Rodent Procedure - Type A	Department: Animal Resource Center	Area: 234 SF
Drawing: Component Schedule	Drawing Scale: NTS	Last Update: 12/20/2024

UTSW ID	Product / Manuf / Item	Qty	LF	Utilities								Furnish	Comments	
				1	2	3	4	5	6	7	8			
6364-069	3 Box Glove Dispenser, White Wire, Wall Mtd	1		-	-	-	-	-	-	-	-	-	OFOI	ARC Located
102813PT	Dispenser, Paper Towel, SS, Surface Mounted	1		-	-	-	-	-	-	-	-	-	OFOI	
102813SD	Dispenser, Soap, Disposable	1		-	-	-	-	-	-	-	-	-	OFCI	
123553BS	Biological Safety Cabinet	1		-	Y	-	-	-					OFCI	100% hard ducted exhaust.
123553WE	Stainless Steel Back Draft Exhaust (ARC)	1		-	Y	-	-	-					CFCI	100% hard ducted exhaust.
224216 E	Deck Mounted Eyewash	1		Y	-	-	-	-	-	-	-	-	CFCI	Stainless Steel
224316SS	Sink, SS, Single Compartment	1		Y	-	-	-	-					CFCI	
CT050	Countertop, Stainless Steel	1		-	-	-	-	-					CFCI	
EDS PNL	Edstrom Panel	1		-	Y	-	-	-	-	Y	-		CFCI	Security and controls with Avidity system
PHONE	Wall Phone	1		-	-	-	-	-		Y			OFVI	
RM-SGN	Room Sign, Per Standards	1		-	-	-	-	-	-	-	-		CFCI	Location confirmed by UTSW PM and UTSW sign shop

Utilities Key

- | | |
|-------------------------------------|----------------------------------|
| 1. Water / Drain - 1 sink and drain | 5. Non MedGas |
| 2. Electricity - Standard power | 6. Vacuum |
| 3. MedGas | 7. Data - Data and clinical data |
| 4. Misc Gas | 8. Misc. |

Furnish Key

- OFOI - Owner Furnished, Owner Installed
- OFVI - Owner Furnished, Vendor Installed
- OFCI - Owner Furnished, Contractor Installed
- CFCI - Contractor Furnished, Contractor Installed

Space Design Guidelines - Basis of Design

Space: Rodent Procedure - Type A	Department: Animal Resource Center	Area: 234 SF
Drawing: Data/Power Schedule	Drawing Scale: NTS	Last Update: 12/20/2024

Electrical Fixtures

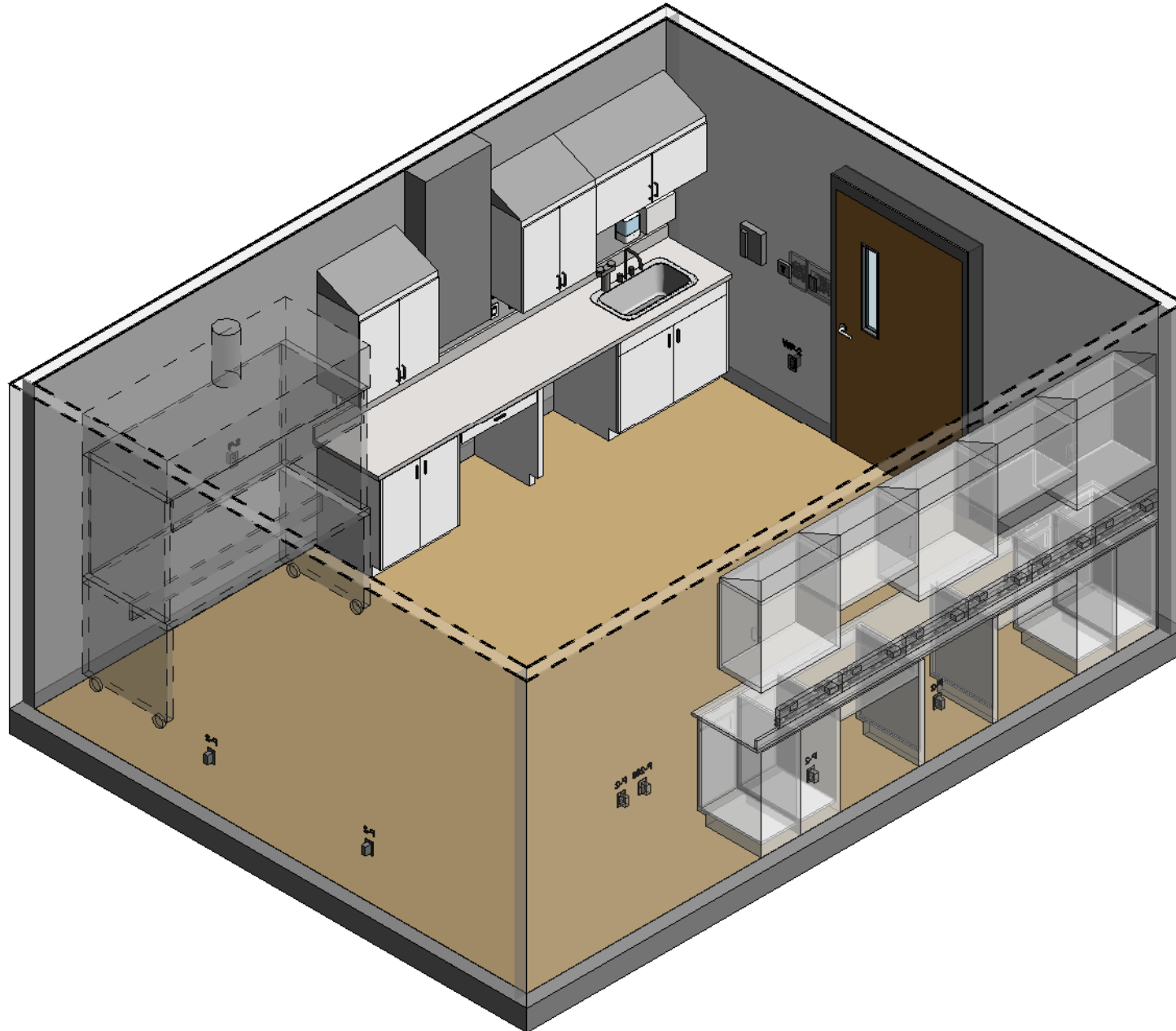
USTW ID	Item	Qty.
		1
E Raceway	Power - Duplex - 120 V	2
P-2	Power - Duplex - 120 V	5
P-208	Power - 208 V	1
WP-2	Weatherproof Power - Duplex - 120 V	4

Data Fixtures

UTSW ID	Item	Qty
DM	Data Mold	2
WD	Waterproof Data Outlet	2

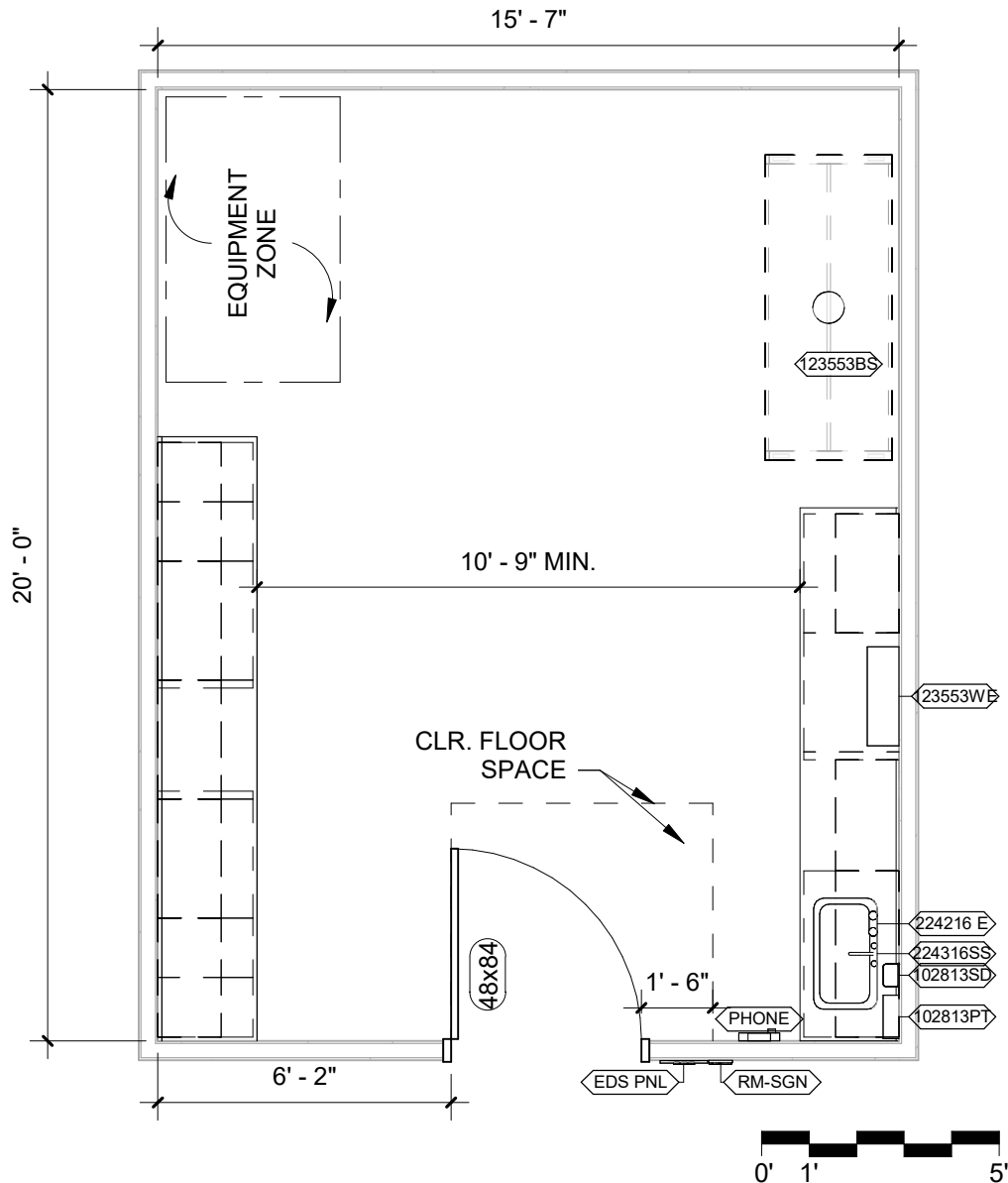
Space Design Guidelines - Basis of Design

Space:	Rodent Procedure - Type B	Department:	Animal Resource Center	Area:	312 SF
Drawing:	Room Isometric	Drawing Scale:	NTS	Last Update:	12/20/2024



Space Design Guidelines - Basis of Design

Space: Rodent Procedure - Type B	Department: Animal Resource Center	Area: 312 SF
Drawing: Floor Plan	Drawing Scale: 1/4" = 1'-0"	Last Update: 12/20/2024



Space Narrative:

Information provided shall be confirmed with UTSW PM.

Furnish assignments shall be confirmed by the UTSW PM.

Dashed equipment is specified per project by UTSW

Items noted with symbol are shown on the Component Schedule

Refer to UTSW Design Guidelines including ARC Design Requirements for each project.

Procedure rooms must serve a variety of groups as well as multiple simultaneous teams. Flexibility and easy circulation are important considerations.

UTSW Special Considerations:

Flooring: Seamless floor options include: Epoxy and Quartz Resinous. Confirm type for project requirements.

Base: 6" Coved, Integral

Ceiling: Cementboard ceiling with epoxy paint

Walls: Epoxy Paint, non-toxic

Cabinets: Powder Coated Metal

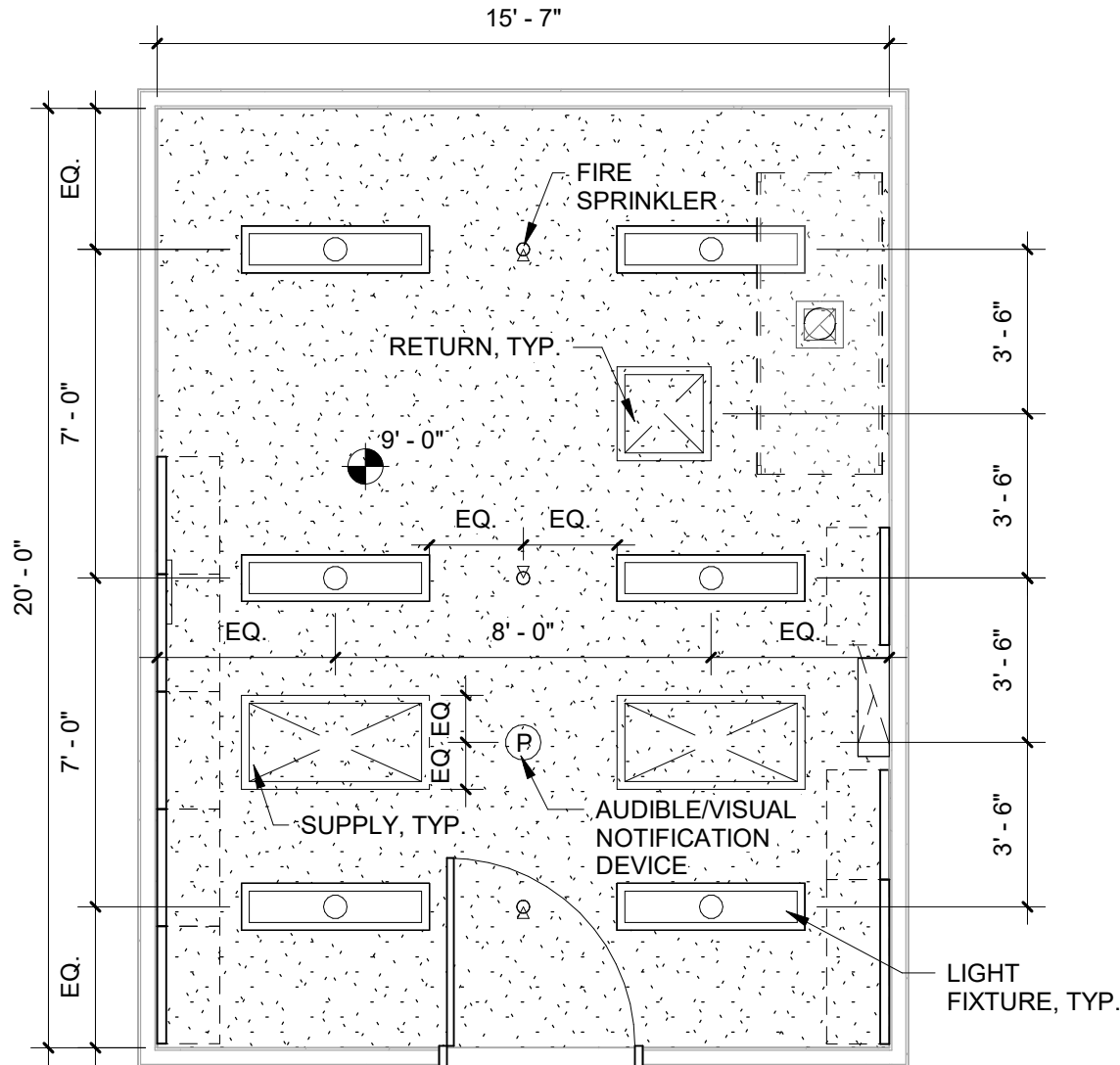
Countertops: Stainless Steel

Blocking (BLKG) by GC shall be coordinated prior to installation.

Door shall be self-closing with sound-attenuating properties including quiet closing, sound seals, tight fitting seals, and drop down door sweeps. Doorway must provide for easy movement of carts.

Space Design Guidelines - Basis of Design

Space: Rodent Procedure - Type B	Department: Animal Resource Center	Area: 312 SF
Drawing: Reflected Ceiling Plan	Drawing Scale: 1/4" = 1'-0"	Last Update: 12/20/2024



Space Narrative:

Fire and life safety elements will be designed and laid out per project requirements. Rodent areas to have rodent friendly fire alarm systems. Cementboard ceiling with epoxy paint.

UTSW Special Considerations:

Refer to UTSW Design Guidelines to confirm light fixture types appropriate per project. Within animal areas, recessed fixtures shall have triple gaskets and lenses shall be smooth side out. Installation shall prevent the accumulation of dust.

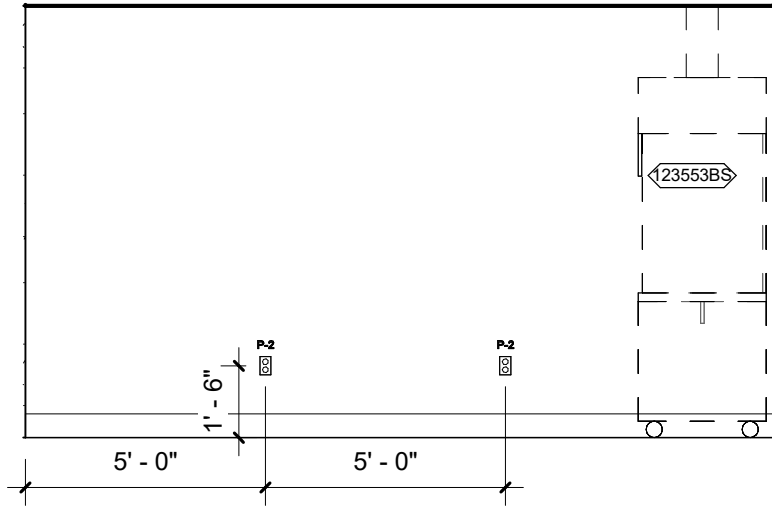
Dimensions indicated are intended to show placement regularity. Actual project conditions may vary.

Stainless steel access panels shall be located to easily service above ceiling components per project specific design. All shall be fully gasketed with hold-down clips.

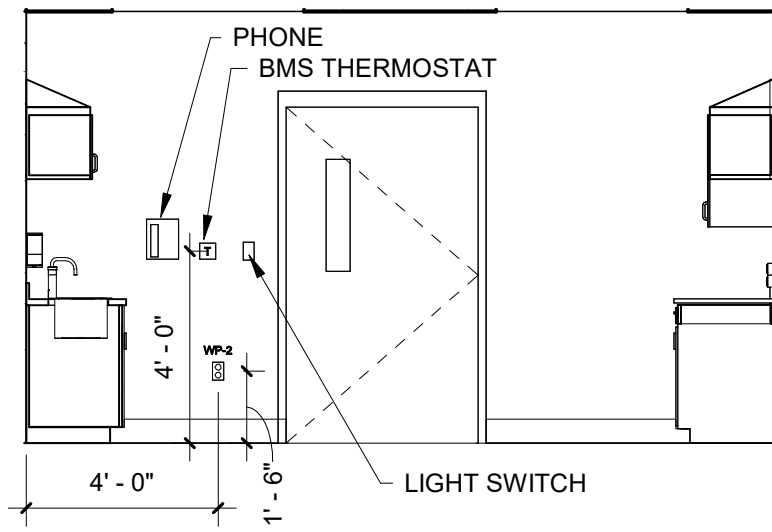
Confirm exhaust duct, power, and data requirements for user provided equipment per project.

Space Design Guidelines - Basis of Design

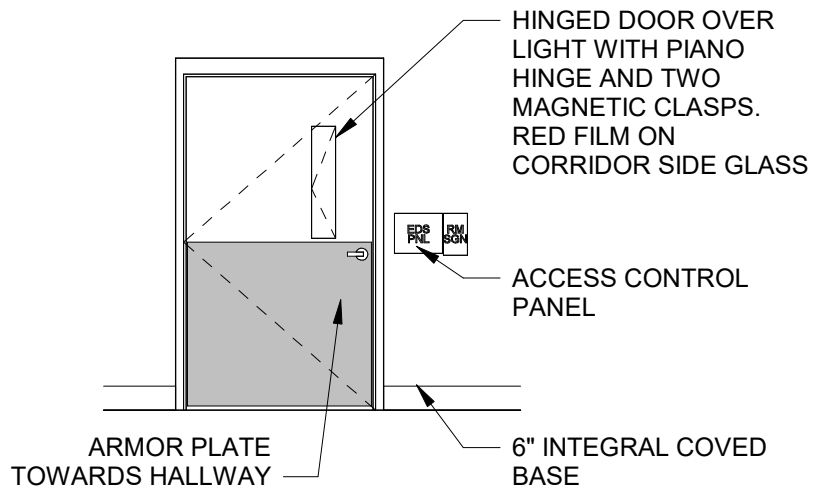
Space: Rodent Procedure - Type B	Department: Animal Resource Center	Area: 312 SF
Drawing: Elevations	Drawing Scale: 1/4" = 1'-0"	Last Update: 12/20/2024



① NORTH ELEVATION
 1/4" = 1'-0"



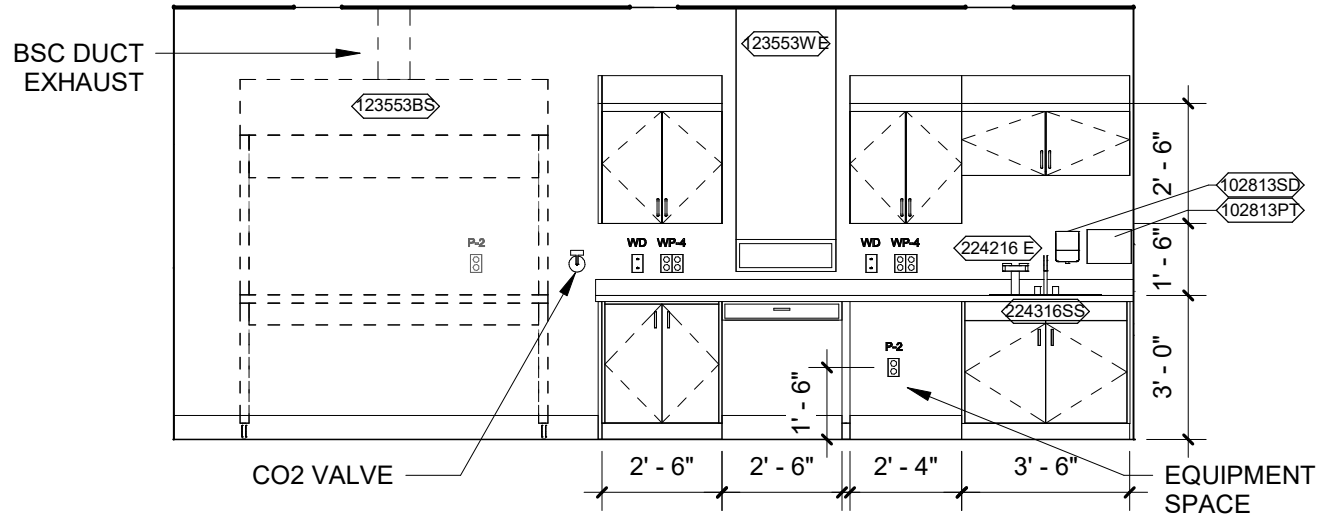
② SOUTH ELEVATION
 1/4" = 1'-0"



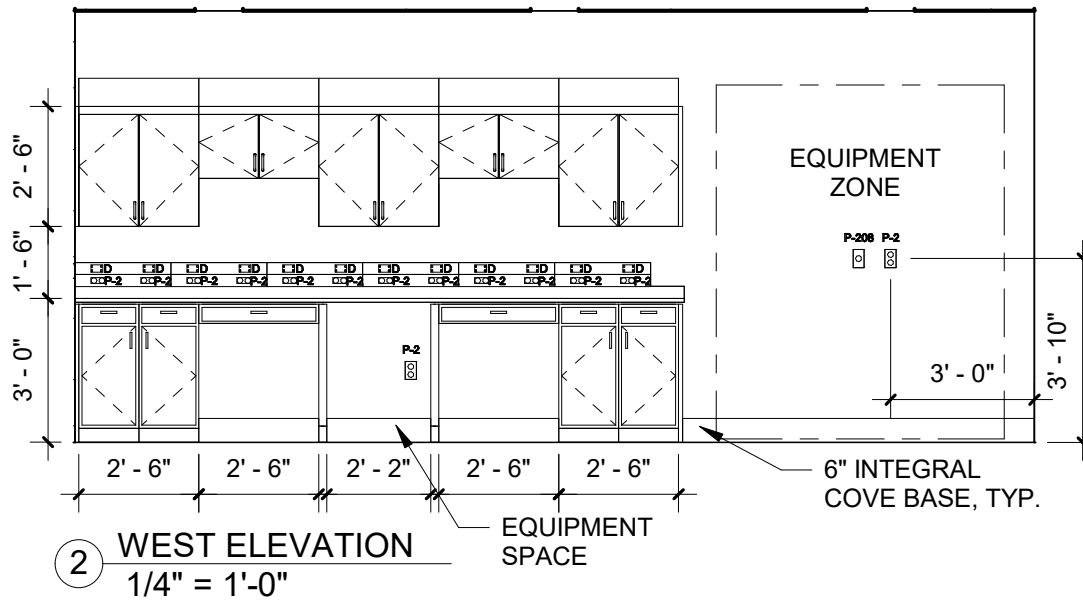
③ HALLWAY ELEVATION
 1/4" = 1'-0"

Space Design Guidelines - Basis of Design

Space: Rodent Procedure - Type B	Department: Animal Resource Center	Area: 312 SF
Drawing: Elevations	Drawing Scale: 1/4" = 1'-0"	Last Update: 12/20/2024



1 EAST ELEVATION
 1/4" = 1'-0"



2 WEST ELEVATION
 1/4" = 1'-0"

Space Design Guidelines - Basis of Design

Space: Rodent Procedure - Type B	Department: Animal Resource Center	Area: 312 SF
Drawing: Component Schedule	Drawing Scale: NTS	Last Update: 12/20/2024

UTSW ID	Product / Manuf / Item	Qty	LF	Utilities								Furnish	Comments	
				1	2	3	4	5	6	7	8			
6364-069	3 Box Glove Dispenser, White Wire, Wall Mtd	1		-	-	-	-	-	-	-	-	-	OFOI	ARC located
102813PT	Dispenser, Paper Towel, SS, Surface Mounted	1		-	-	-	-	-	-	-	-	-	OFOI	
102813SD	Dispenser, Soap, Disposable	1		-	-	-	-	-	-	-	-	-	OFCI	
123553BS	Biological Safety Cabinet	1		-	Y	-	-	-					OFCI	100% hard ducted exhaust.
123553WE	Stainless Steel Back Draft Exhaust (ARC)	1		-	Y	-	-	-					CFCI	100% hard ducted exhaust.
224216 E	Deck Mounted Eyewash	1		Y	-	-	-	-	-	-	-	-	CFCI	Stainless Steel
224316SS	Sink, SS, Single Compartment	1		Y	-	-	-	-					CFCI	
CT050	Countertop, Stainless Steel	1		-	-	-	-	-					CFCI	
EDS PNL	Edstrom Panel	1		-	Y	-	-	-	-	Y	-		CFCI	Security and controls with Avidity system
PHONE	Wall Phone	1		-	-	-	-	-		Y			OFOI	
RM-SGN	Room Sign, Per Standards	1		-	-	-	-	-	-	-	-		CFCI	Location confirmed by UTSW PM and UTSW sign shop

Utilities Key

- | | |
|-------------------------------------|----------------------------------|
| 1. Water / Drain - 1 sink and drain | 5. Non MedGas |
| 2. Electricity - Standard power | 6. Vacuum |
| 3. MedGas | 7. Data - Data and clinical data |
| 4. Misc Gas | 8. Misc. |

Furnish Key

- OFOI - Owner Furnished, Owner Installed
- OFVI - Owner Furnished, Vendor Installed
- OFCI - Owner Furnished, Contractor Installed
- CFCI - Contractor Furnished, Contractor Installed

Space Design Guidelines - Basis of Design

Space: Rodent Procedure - Type B	Department: Animal Resource Center	Area: 312 SF
Drawing: Data/Power Schedule	Drawing Scale: NTS	Last Update: 12/20/2024

Electrical Fixtures

USTW ID	Item	Qty.
		1
E Raceway	Power - Duplex - 120 V	6
P-2	Power - Duplex - 120 V	7
P-208	Power - 208 V	1
WP-2	Weatherproof Power - Duplex - 120 V	3

Data Fixtures

UTSW ID	Item	Qty
DM	Data Mold	6
WD	Waterproof Data Outlet	2

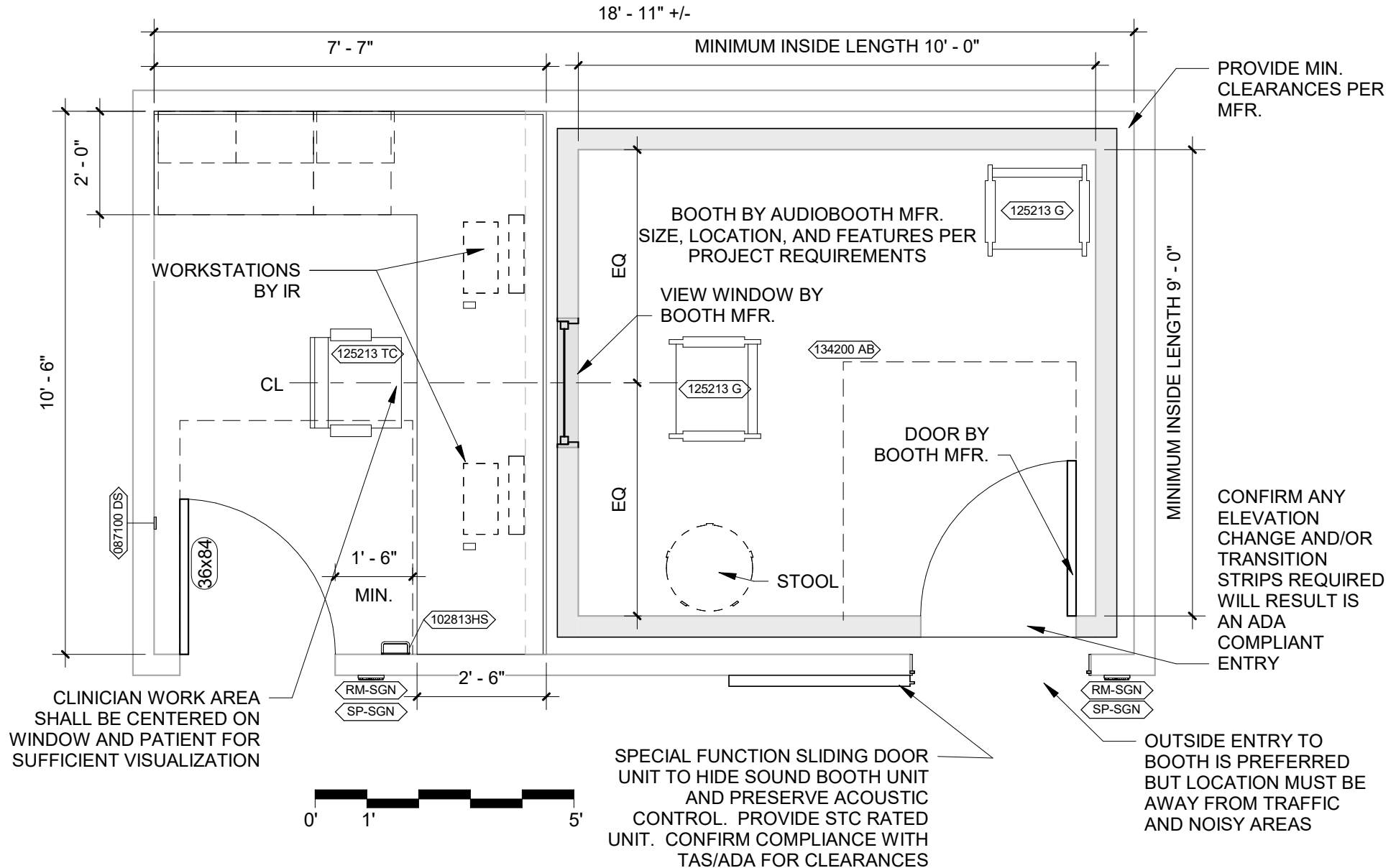
Space Design Guidelines - Basis of Design

Space:	Audiology Booth	Department:	Outpatient	Area:	199 SF
Drawing:	Room Isometric	Drawing Scale:	NTS	Last Update:	12/20/2024



Space Design Guidelines - Basis of Design

Space: Audiology Booth	Department: Outpatient	Area: 199 SF
Drawing: Floor Plan	Drawing Scale: 3/8" = 1'-0"	Last Update: 12/20/2024



Space Design Guidelines - Basis of Design

Space: Audiology Booth	Department: Outpatient	Area: 199 SF
Drawing: Space Notes	Drawing Scale: NTS	Last Update: 12/20/2024

Plan Space Narrative:

Information provided shall be confirmed with UTSW PM.

Furnish assignments shall be confirmed by the UTSW PM. Entity furnishing paper towel and soap dispensers shall be confirmed per project location and lease requirements.

Dashed equipment is specified per project by UTSW.

Items noted with symbol are shown on the Component Schedule.

Audiology booth BOD is for new construction. Booth model and sizes shall be determined per project requirements and with guidance from UTSW Audiology for determining acoustic criteria. Projects in existing construction shall be designed by AE to include ramping, raised floors and/or structural modification to best align with project goals and provide ADA/TAS compliance. In existing buildings, all utilities shall be verified and coordinated prior to final design of audiology booth.

A/E shall confirm with and receive approval from UTSW Audiology on STC requirements including partition construction, ceiling and slab considerations, adjacencies and location, as well as any shielding considerations. Proposed location shall be away from high traffic and noisy areas. All components of construction shall meet STC requirements to ensure the envelope meets sound booth manufacturer (mfr.) requirements and recommendations.

Coordination of utility requirements, size, location, slab elevation, door size/location, clearances, etc. shall be confirmed per final mfr's requirements. Careful documentation is needed to assist the general contractor and mfr's installer to ensure a coordinated installation and successful project.

Perimeter walls shall be to deck and in compliance with STC requirements including sound seals at penetrations and sound batt insulation within partitions. Doors shall have sound seals, closers, and elements to ensure acoustic envelope protects the quality of the installation.

Fit-out and installation of control area shall be timed after the construction of the audio booth.

Sliding door unit shall provide acoustic control and seals to maintain required envelope. Minimum STC requirement for this door system shall be 34. Confirm for each project. If greater STC value is needed, provide specialty acoustic door to review with UTSW PM and users. Confirm with UTSW Audiology.

UTSW Special Plan Considerations:

Flooring: Carpet

Base: Rubber Base

Ceiling: 2x2 ACT

Walls: Paint

Casework: Plastic Laminate, extend upper casework to ceiling grid

Countertops: Solid Surface

Blocking (BLKG) by GC shall be coordinated prior to installation.

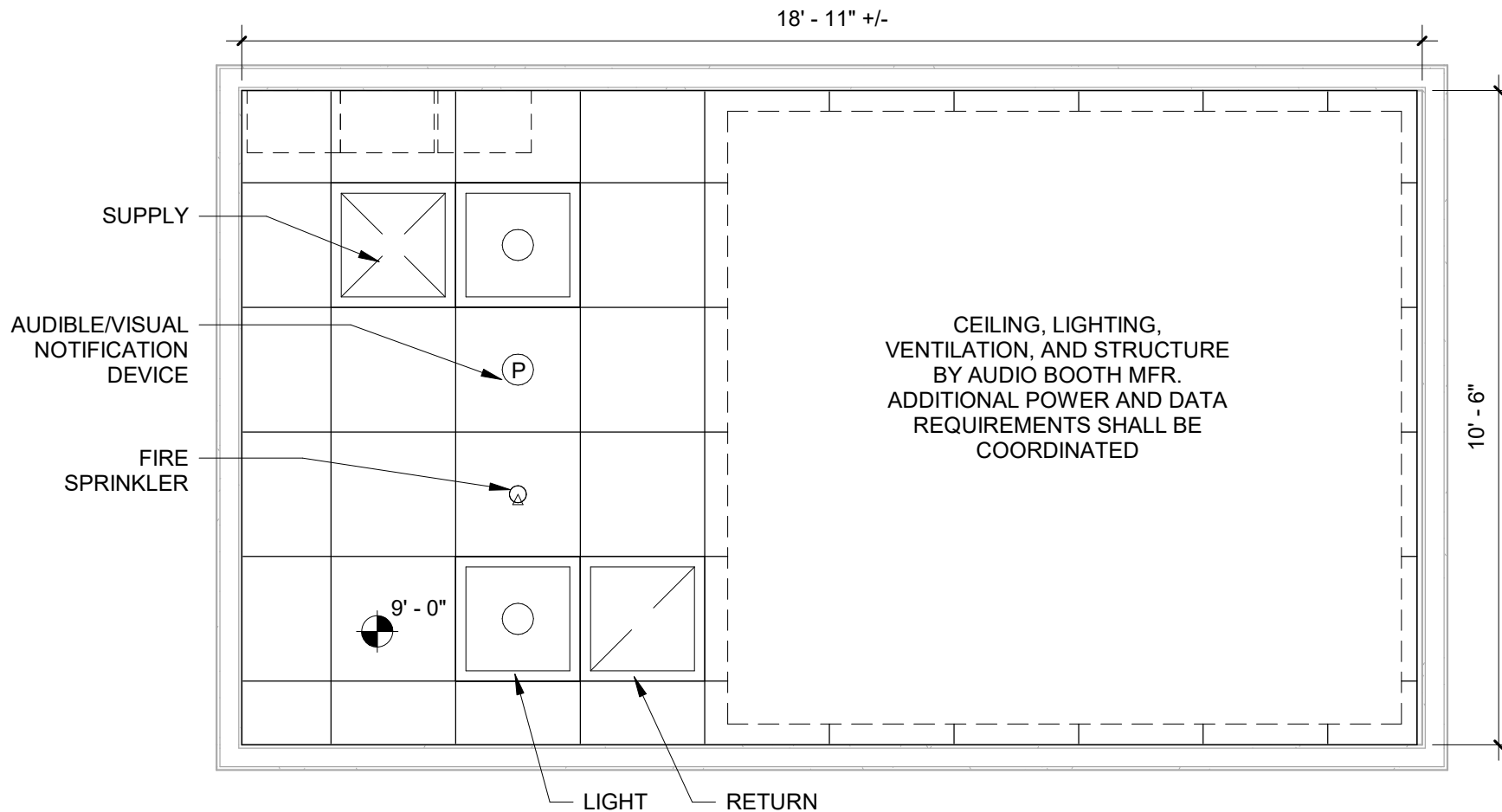
Audiology Booth finishes and elevations to be confirmed with mfr. Acoustically "softer" finishes are preferred to hard finishes that increase reverberation.

Junction box, power and utilities to serve audiology booth to be coordinated in design by A/E and provided by GC.

Add painted breakmetal panels to hide any gaps between walls, ceilings, and the audio booth.

Space Design Guidelines - Basis of Design

Space: Audiology Booth	Department: Outpatient	Area: 199 SF
Drawing: Reflected Ceiling Plan	Drawing Scale: 3/8" = 1'-0"	Last Update: 12/20/2024



Space Design Guidelines - Basis of Design

Space: Audiology Booth	Department: Outpatient	Area: 199 SF
Drawing: Space Notes - Ceiling	Drawing Scale: NTS	Last Update: 12/20/2024

RCP Space Narrative:

Fire and life safety elements will be designed and laid out per project requirements.

Typical 2x2 ACT ceiling. Confirm CAC requirements per project.

UTSW Special RCP Considerations from OSBC:

Refer to UTSW Design Guidelines to confirm light fixture types appropriate per project. Lighting in booth by audiology booth mfr.

Audiobooth shall have knockouts in the ceiling panel(s) for fire sprinkler pipe and fire sprinkler pipe specified. If the booth consists of single wall construction, the knockout would be in the single panel of the ceiling. If the booth utilizes double wall construction, the knockouts would be in both exterior and interior ceiling panels.

If booth manufacturer does not provide knockouts, ensure the booth manufacturer specifies the location of where to drill the hole(s) for fire sprinkler pipe during manufacture of the booth and the location is clearly marked upon delivery to owner.

Request stabilization bracket from the manufacturer for sprinkler pipe to be attached to the booth, if available.

Request a rubber coated pipe sleeve from the manufacturer to isolate sprinkler pipe from the booth, if available. If a pipe sleeve is unavailable, utilize acoustic caulk to seal the exterior booth ceiling penetration. The sprinkler pipe shall be centered in the hole and not touching the booth prior to caulking. The sprinkler pipe shall not be permitted to move in the hole or be permitted to touch the booth after caulk is applied.

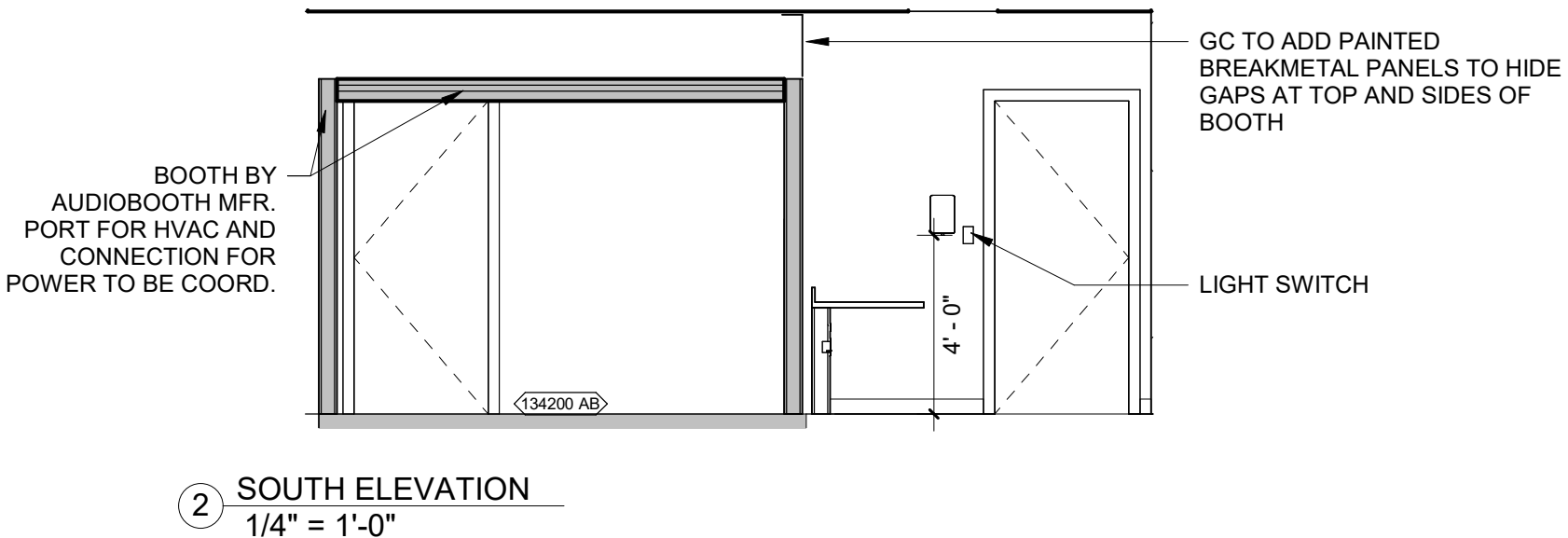
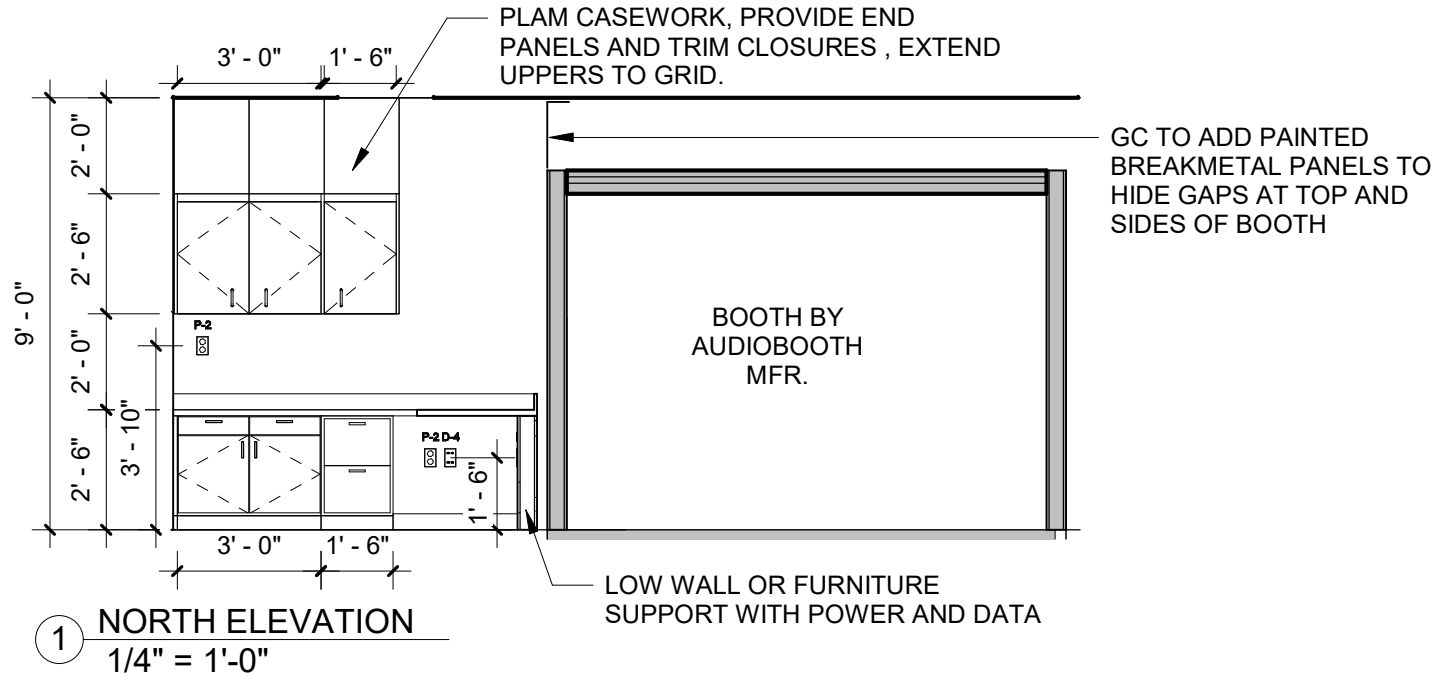
Flexible fire sprinkler pipe shall be required at the entry penetration to the booth. The mounting bracket (provided from sprinkler pipe manufacturer if unavailable from booth manufacturer) shall be utilized to allow the pipe to move with the booth ensuring physical and acoustic isolation.

A concealed fire sprinkler head shall be utilized.

For auditory brainstem response (ABR) testing or electroencephalogram (EEG) testing, non-ferrous fire sprinkler pipe shall be utilized to minimize radio frequency disturbance, similar to MRI suites. However, for audiometry, ferrous fire sprinkler pipe shall be permitted as radio frequency disturbance is not an issue.

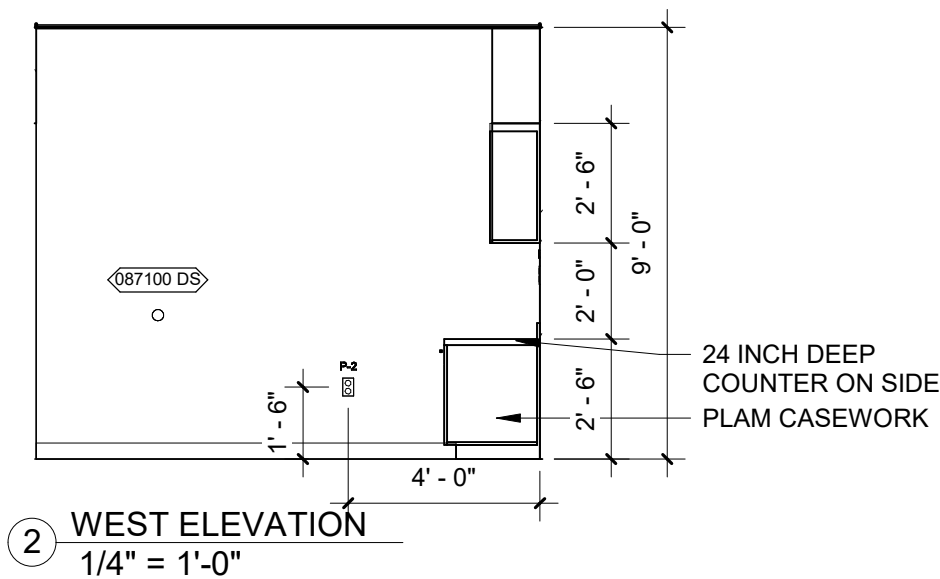
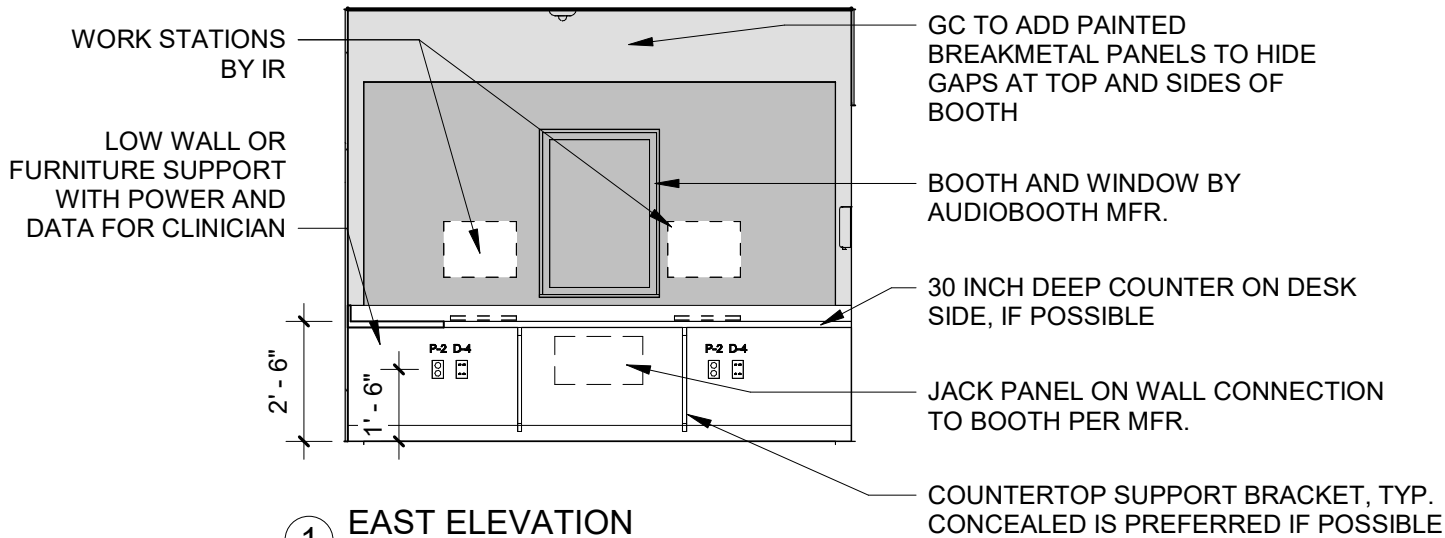
Space Design Guidelines - Basis of Design

Space: Audiology Booth	Department: Outpatient	Area: 199 SF
Drawing: Elevations	Drawing Scale: 1/4" = 1'-0"	Last Update: 12/20/2024



Space Design Guidelines - Basis of Design

Space: Audiology Booth	Department: Outpatient	Area: 199 SF
Drawing: Elevations	Drawing Scale: 1/4" = 1'-0"	Last Update: 12/20/2024



Space Design Guidelines - Basis of Design

Space: Audiology Booth	Department: Outpatient	Area: 199 SF
Drawing: Component Schedule	Drawing Scale: NTS	Last Update: 12/20/2024

UTSW ID	Product / Manuf / Item	Qty	LF	Utilities								Furnish	Comments	
				1	2	3	4	5	6	7	8			
087100 DS	Door Stop	1		-	-	-	-	-	-	-	-	-	CFCI	Install blocking.
102813HS	Dispenser, Hand Sanitizer, Wall Mtd.	1		-	-	-	-	-	-	-	-	-	OFOI	*Confirm per contract/lease reqs.
125213 G	Guest Chair, Side With Arms	2		-	-	-	-	-	-	-	-	-	OFOI	Second guest chair if space permits.
125213 SR	Stool, Rolling , Self Adjusting,	1		-	-	-	-	-	-	-	-	-	OFOI	
125213 TC	Chair, Task With Arms	1		-	-	-	-	-	-	-	-	-	OFOI	
134200 AB	Audiobooth - manufactured unit	1		-	Y	-	-	-	-	Y	Y	CFCI	Manufactured booth shall include finishes, view window, access door, and MEP components required for operation. Unit will connect to building utility infracture connections that will be provided by GC. A/E, GC, and Mfr. shall coordinate requirements prior to installation.	
COMP	IR Clinical Workstation	2		-	Y	-	-	-	-	Y	-	OFOI	Workstations by IR	
RM-SGN	Room Sign, Per Standards	2		-	-	-	-	-	-	-	-	CFCI	Location confirmed by UTSW PM and UTSW sign shop	
SP-SGN	Specialty Sign, Per Standards	2		-	-	-	-	-	-	-	-	CFCI	"In use / Vacant" - Location and wording to be confirmed by UTSW PM and UTSW sign shop	

Utilities Key

- | | |
|-------------------------------------|----------------------------------|
| 1. Water / Drain - 1 sink and drain | 5. Non MedGas |
| 2. Electricity - Standard power | 6. Vacuum |
| 3. MedGas | 7. Data - Data and clinical data |
| 4. Misc Gas | 8. Misc. |

Furnish Key

- OFOI - Owner Furnished, Owner Installed
 OFVI - Owner Furnished, Vendor Installed
 OFCI - Owner Furnished, Contractor Installed
 CFCI - Contractor Furnished, Contractor Installed

Space Design Guidelines - Basis of Design

Space: Audiology Booth	Department: Outpatient	Area: 199 SF
Drawing: Data/Power Schedule	Drawing Scale: NTS	Last Update: 12/20/2024

Electrical Fixtures

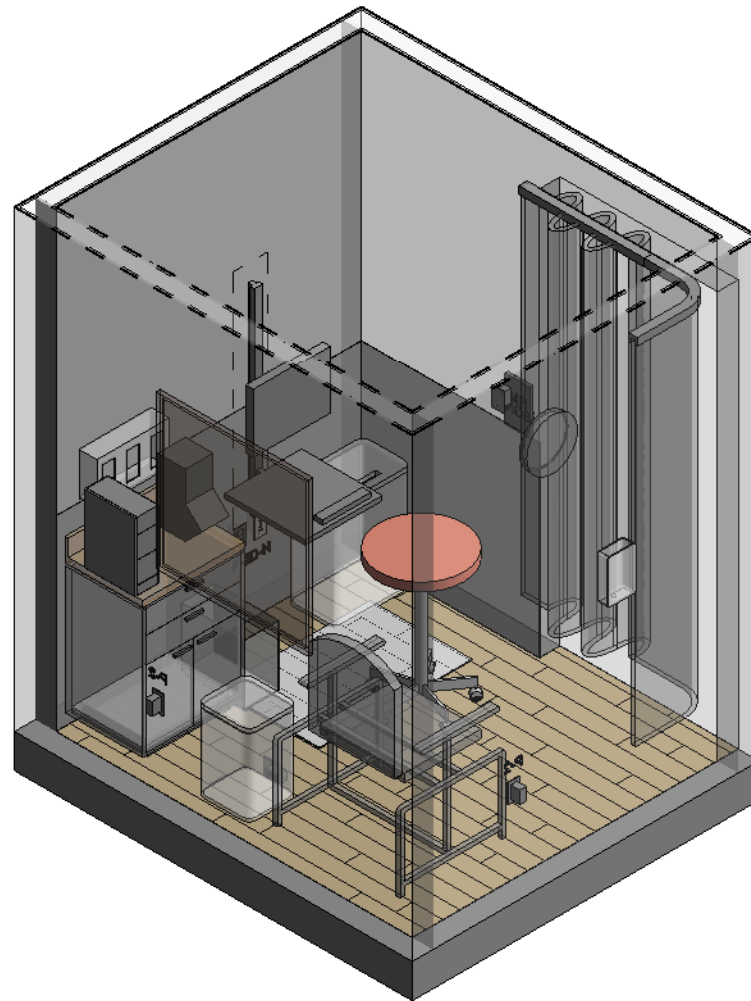
USTW ID	Item	Qty.
P-2	Power - Duplex - 120 V	5

Data Fixtures

ID	Nomenclature	Qty
D-4	Data - Qty 4	3

Space Design Guidelines - Basis of Design

Space:	Blood Draw Bay	Department:	Outpatient	Area:	42 SF
Drawing:	Room Isometric	Drawing Scale:	NTS	Last Update:	12/20/2024



Space Design Guidelines - Basis of Design

Space: Blood Draw Bay	Department: Outpatient	Area: 42 SF
Drawing: Floor Plan	Drawing Scale: 3/8" = 1'-0"	Last Update: 12/20/2024

Space Narrative:

Information provided shall be confirmed with UTSW PM.

Furnish assignments shall be confirmed by the UTSW PM. Entity furnishing paper towel and soap dispensers shall be confirmed per project location and lease requirements.

Dashed equipment is specified per project by UTSW

Items noted with symbol are shown on the Component Schedule

UTSW Special Considerations:

Flooring: LVT

Base: Rubber Base

Ceiling: 2x2 ACT

Walls: Paint and FRP Wainscot

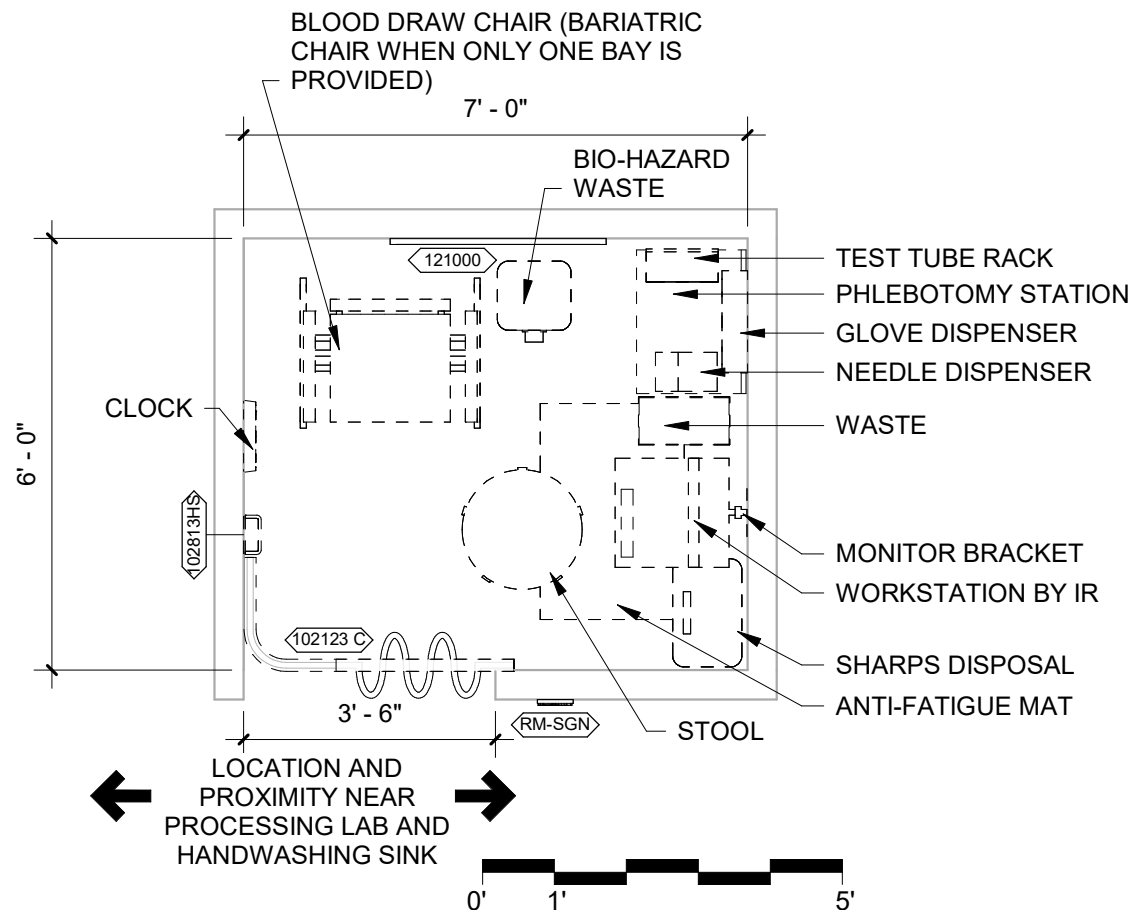
Cabinets: None

Countertops: None

Blocking (BLKG) by GC shall be coordinated prior to installation.

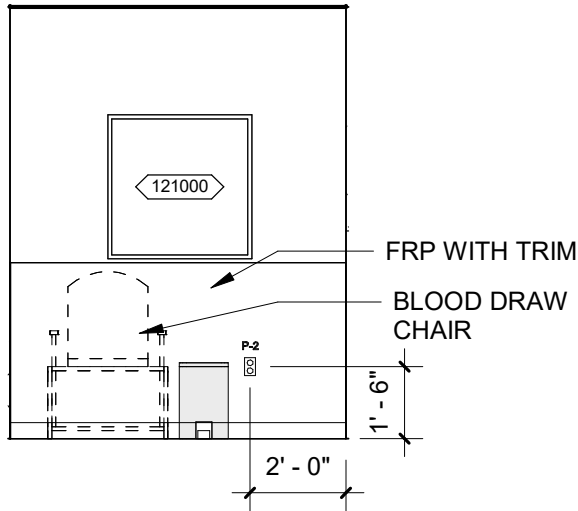
GC shall run conduit from the Data-H to Data-U for vitals connection to Epic at workstation, if present.

Phlebotomy station is a UTSW purchased item in lieu of GC purchased casework.

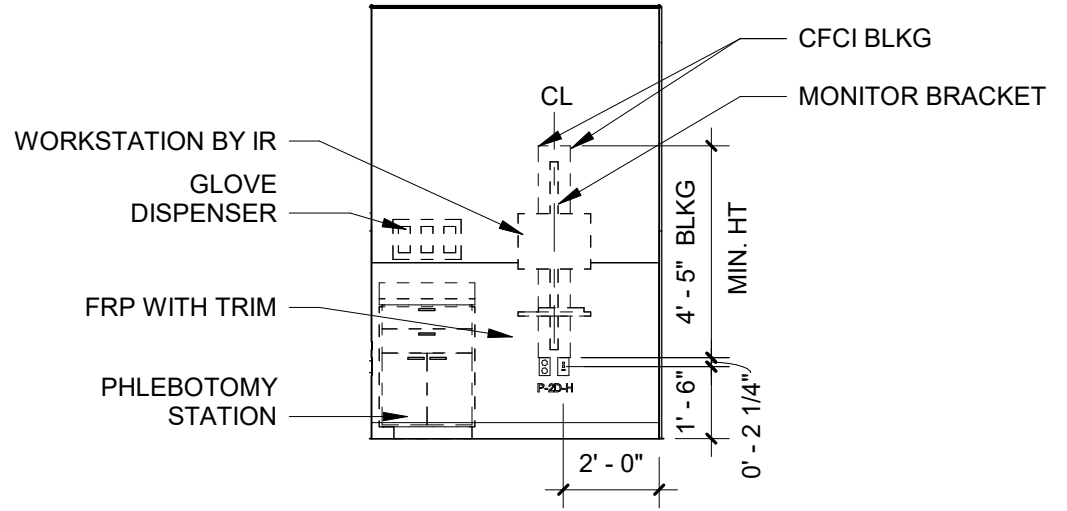


Space Design Guidelines - Basis of Design

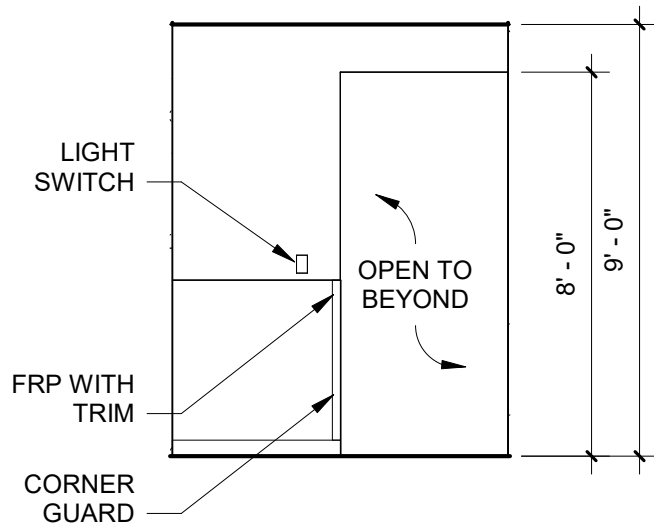
Space: Blood Draw Bay	Department: Outpatient	Area: 42 SF
Drawing: Elevations	Drawing Scale: 1/4" = 1'-0"	Last Update: 12/20/2024



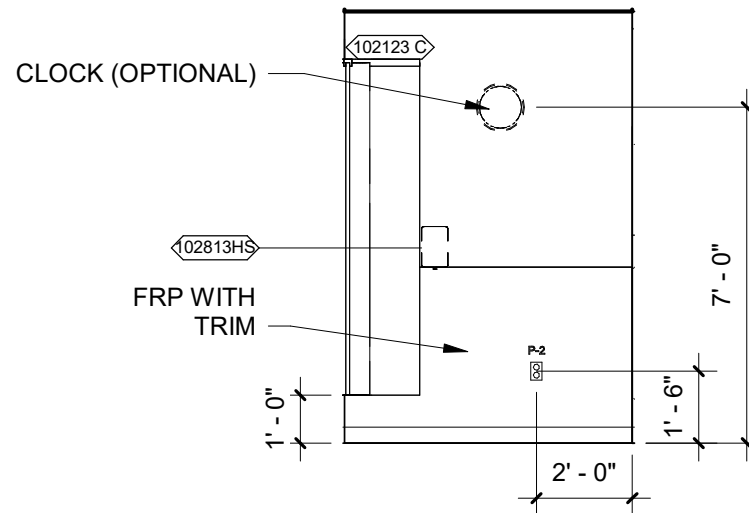
① NORTH ELEVATION
 1/4" = 1'-0"



② EAST ELEVATION
 1/4" = 1'-0"



③ SOUTH ELEVATION
 1/4" = 1'-0"



④ WEST ELEVATION
 1/4" = 1'-0"

Space Design Guidelines - Basis of Design

Space: Blood Draw Bay	Department: Outpatient	Area: 42 SF
Drawing: Component Schedule	Drawing Scale: NTS	Last Update: 12/20/2024

UTSW ID	Product / Manuf / Item	Qty	LF	Utilities								Furnish	Comments	
				1	2	3	4	5	6	7	8			
102123 C	Curved Track, Surface Mounted, With Curtain	1	5	-	-	-	-	-	-	-	-	-	CFCI	IA specifies curtain look/finish
102813HS	Dispenser, Hand Sanitizer, Wall Mtd.	1		-	-	-	-	-	-	-	-	-	CFCI	*Confirm per contract/lease requirements
121000	Artwork, Decorative, With Frame	1		-	-	-	-	-	-	-	-	-	OFOI	
IR	Track and Bracket, Humanscale V647	1		-	-	-	-	-	-	-	-	-	OFVI	Install blocking behind track starting at least 4" above and below. Locate bottom of track 1" above top of low faceplate.
RM-SGN	Room Sign, Per Standards	1		-	-	-	-	-	-	-	-	-	CFCI	Location confirmed by UTSW PM and UTSW sign shop
WKSTN	Clinical Workstation	1		-	Y	-	-	-	-	-	Y	-	OFOI	

Utilities Key

- | | |
|-------------------------------------|----------------------------------|
| 1. Water / Drain - 1 sink and drain | 5. Non MedGas |
| 2. Electricity - Standard power | 6. Vacuum |
| 3. MedGas | 7. Data - Data and clinical data |
| 4. Misc Gas | 8. Misc. |

Furnish Key

- OFOI - Owner Furnished, Owner Installed
 OFVI - Owner Furnished, Vendor Installed
 OFCI - Owner Furnished, Contractor Installed
 CFCI - Contractor Furnished, Contractor Installed

Space Design Guidelines - Basis of Design

Space: Blood Draw Bay	Department: Outpatient	Area: 42 SF
Drawing: Data/Power Schedule	Drawing Scale: NTS	Last Update: 12/20/2024

Electrical Fixtures

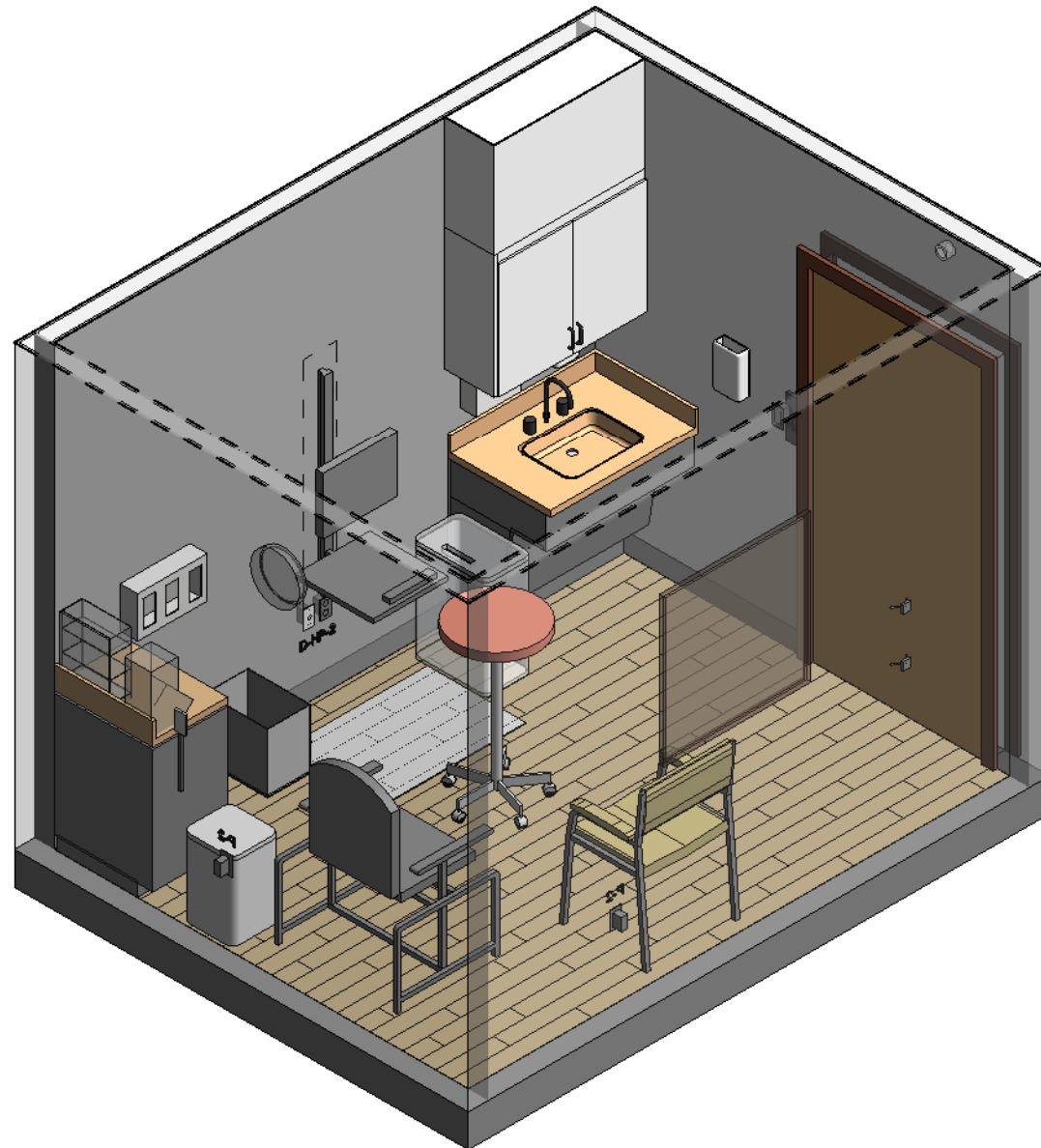
USTW ID	Item	Qty.
P-2	Power - Duplex - 120 V	3

Data Fixtures

UTSW ID	Item	Qty
D-H	Data - Qty 2, USB - Qty 1	1

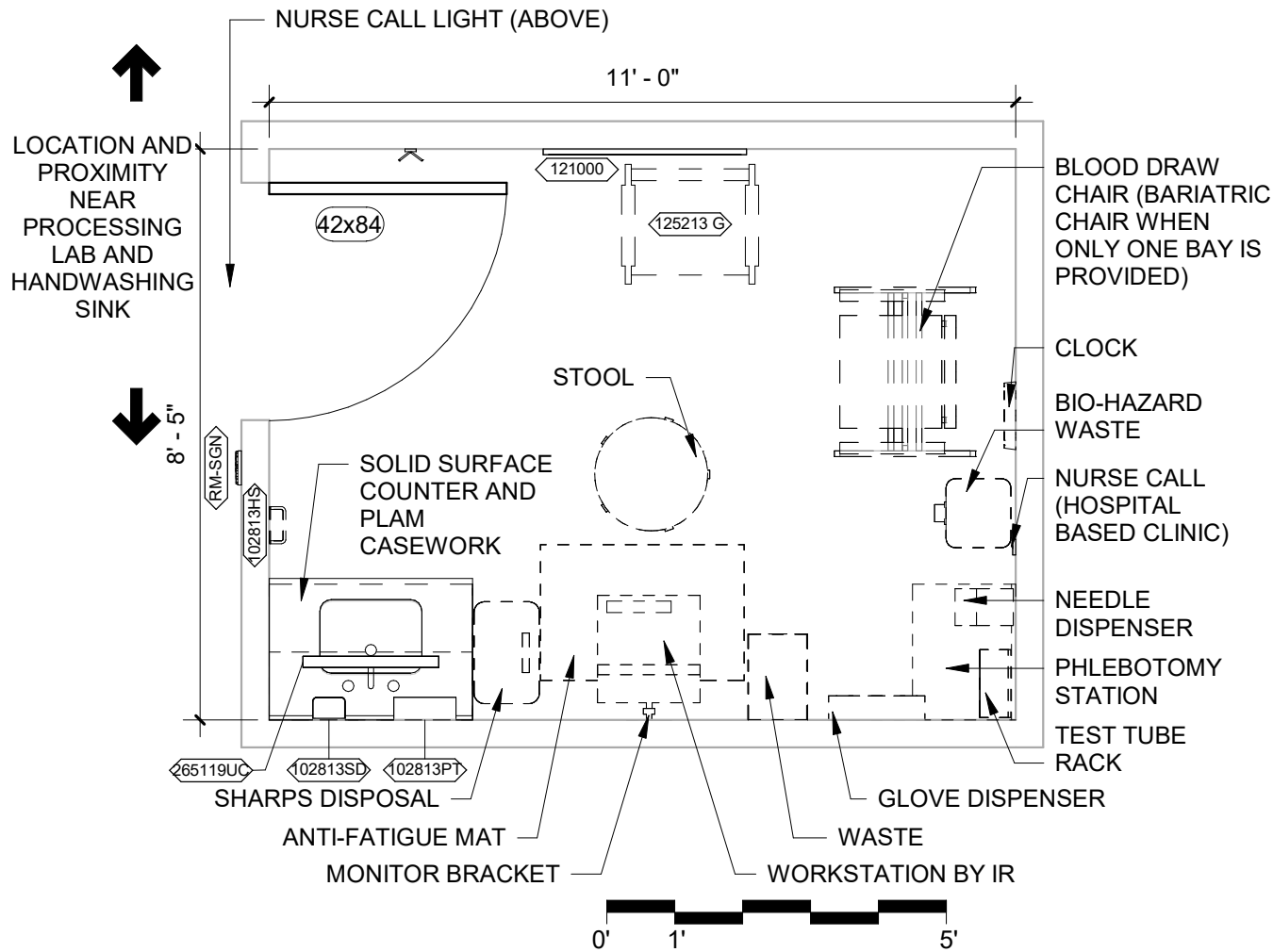
Space Design Guidelines - Basis of Design

Space:	Blood Draw Room	Department:	Outpatient	Area:	85 SF
Drawing:	Room Isometric	Drawing Scale:	NTS	Last Update:	12/20/2024



Space Design Guidelines - Basis of Design

Space: Blood Draw Room	Department: Outpatient	Area: 85 SF
Drawing: Floor Plan	Drawing Scale: 3/8" = 1'-0"	Last Update: 12/20/2024



Space Narrative:

Information provided shall be confirmed with UTSW PM.

Furnish assignments shall be confirmed by the UTSW PM. Entity furnishing paper towel and soap dispensers shall be confirmed per project location and lease requirements.

Dashed equipment is specified per project by UTSW

Items noted with symbol are shown on the Component Schedule

UTSW Special Considerations:

Flooring: LVT

Base: Rubber Base

Ceiling: 2x2 ACT

Walls: Paint

Casework: Plastic Laminate, extend upper casework to ceiling grid

Countertops: Solid Surface

Blocking (BLKG) by GC shall be coordinated prior to installation.

GC shall run conduit from the Data-H to Data-U for vitals connection to Epic at workstation, if present.

Phlebotomy station is a UTSW purchased item in lieu of GC purchased casework.

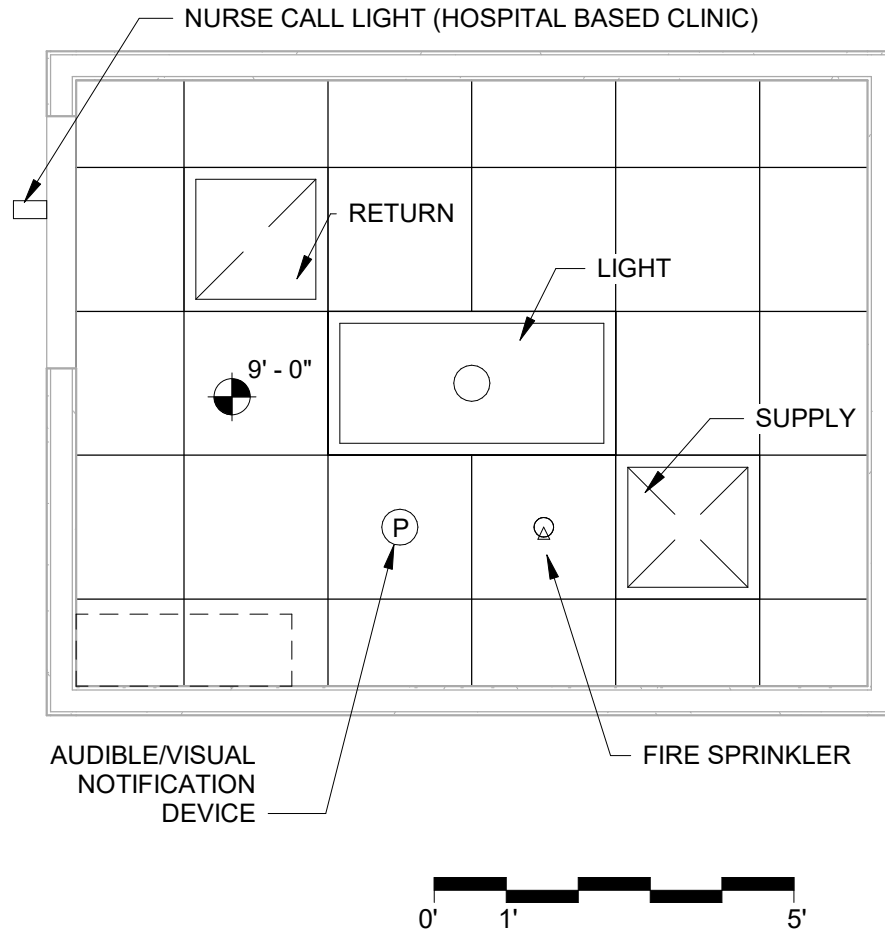
Space Design Guidelines - Basis of Design

Space:	Blood Draw Room	Department:	Outpatient	Area:	85 SF
Drawing:	Reflected Ceiling Plan	Drawing Scale:	3/8" = 1'-0"	Last Update:	12/20/2024

Space Narrative:

Fire and life safety elements will be designed and laid out per project requirements.

Typical 2x2 ACT ceiling.

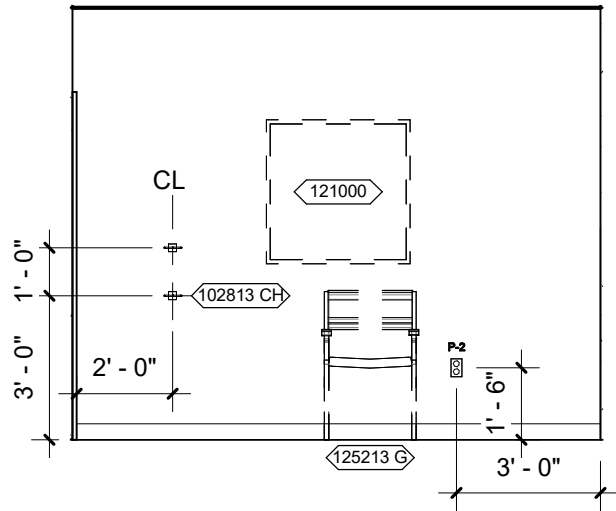


UTSW Special Considerations:

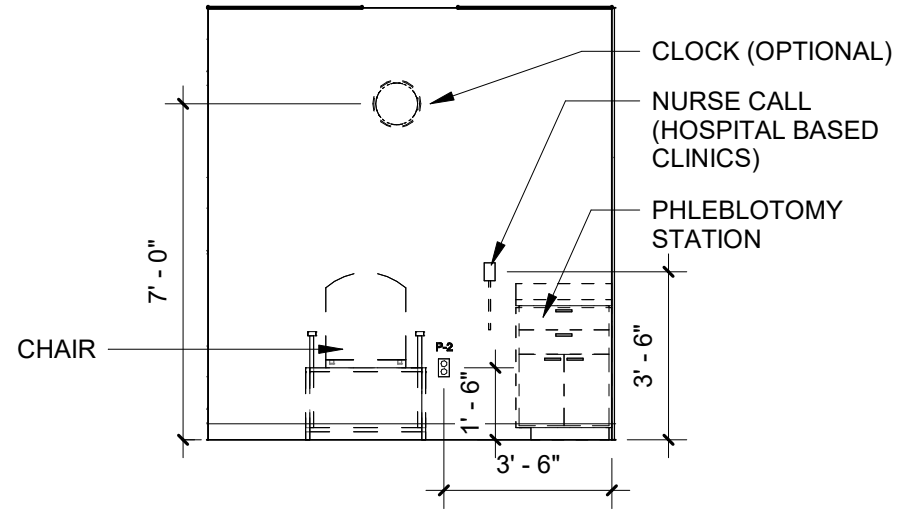
Refer to UTSW Design Guidelines to confirm light fixture types appropriate per project.

Space Design Guidelines - Basis of Design

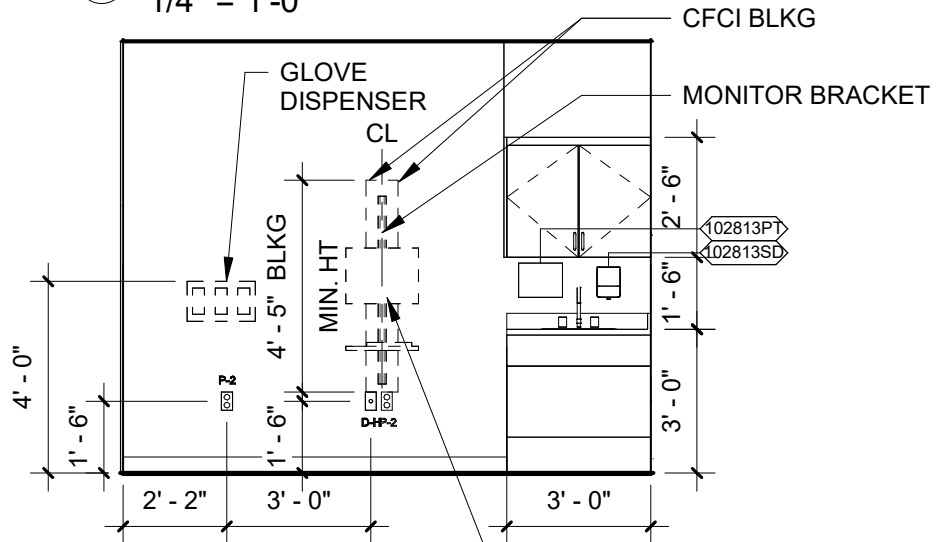
Space: Blood Draw Room	Department: Outpatient	Area: 85 SF
Drawing: Elevations	Drawing Scale: 1/4" = 1'-0"	Last Update: 12/20/2024



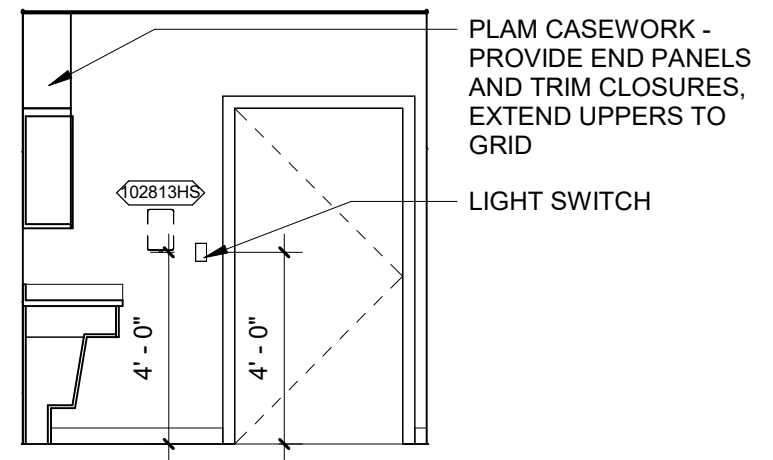
1 NORTH ELEVATION
 1/4" = 1'-0"



2 EAST ELEVATION
 1/4" = 1'-0"



3 SOUTH ELEVATION
 1/4" = 1'-0"



4 WEST ELEVATION
 1/4" = 1'-0"

Space Design Guidelines - Basis of Design

Space: Blood Draw Room	Department: Outpatient	Area: 85 SF
Drawing: Component Schedule	Drawing Scale: NTS	Last Update: 12/20/2024

UTSW ID	Product / Manuf / Item	Qty	LF	Utilities								Furnish	Comments	
				1	2	3	4	5	6	7	8			
102813 CH	Hook, Garment, Double, SS, Surface Mounted	2		-	-	-	-	-	-	-	-	-	CFCI	
102813HS	Dispenser, Hand Sanitizer, Wall Mtd.	1		-	-	-	-	-	-	-	-	-	CFCI	*Confirm per contract/lease requirements
102813PT	Dispenser, Paper Towel, SS, Surface Mounted	1		-	-	-	-	-	-	-	-	-	CFCI	*Confirm per contract/lease requirements
102813SD	Dispenser, Soap, Disposable	1		-	-	-	-	-	-	-	-	-	CFCI	*Confirm per contract/lease requirements
121000	Artwork, Decorative, With Frame	1		-	-	-	-	-	-	-	-	-	OFOI	
125213 G	Guest Chair, Side With Arms	1		-	-	-	-	-	-	-	-	-	OFOI	
224216 L	Sink, bottom mount, solid surface	1		Y	-	-	-	-	-	-	-	-	CFCI	
265119UC	Under cabinet lights, LED	1		-	Y	-	-	-	-	-	-	-	CFCI	
IR	Track and Bracket, Humanscale V647	1		-	-	-	-	-	-	-	-	-	OFOI	Install blocking behind track starting at least 4" above and below. Locate bottom of track 1" above top of low faceplate.
RM-SGN	Room Sign, Per Standards	1		-	-	-	-	-	-	-	-	-	CFCI	Location confirmed by UTSW PM and UTSW sign shop
RNCALL	Nurse Call Button	1		-	Y	-	-	-	-	-	-	Y	CFCI	*Hospital based only. Includes light fixture in hallway.
WKSTN	Clinical Workstation	1		-	Y	-	-	-	-	-	-	Y	OFOI	

Key

- | | |
|-------------------------------------|----------------------------------|
| 1. Water / Drain - 1 sink and drain | 5. Non MedGas |
| 2. Electricity - Standard power | 6. Vacuum |
| 3. MedGas | 7. Data - Data and clinical data |
| 4. Misc Gas | 8. Misc. |

Furnish Key

- OFOI - Owner Furnished, Owner Installed
 OFVI - Owner Furnished, Vendor Installed
 OFCI - Owner Furnished, Contractor Installed
 CFCI - Contractor Furnished, Contractor Installed

Space Design Guidelines - Basis of Design

Space: Blood Draw Room	Department: Outpatient	Area: 85 SF
Drawing: Data/Power Schedule	Drawing Scale: NTS	Last Update: 12/20/2024

Electrical Fixtures

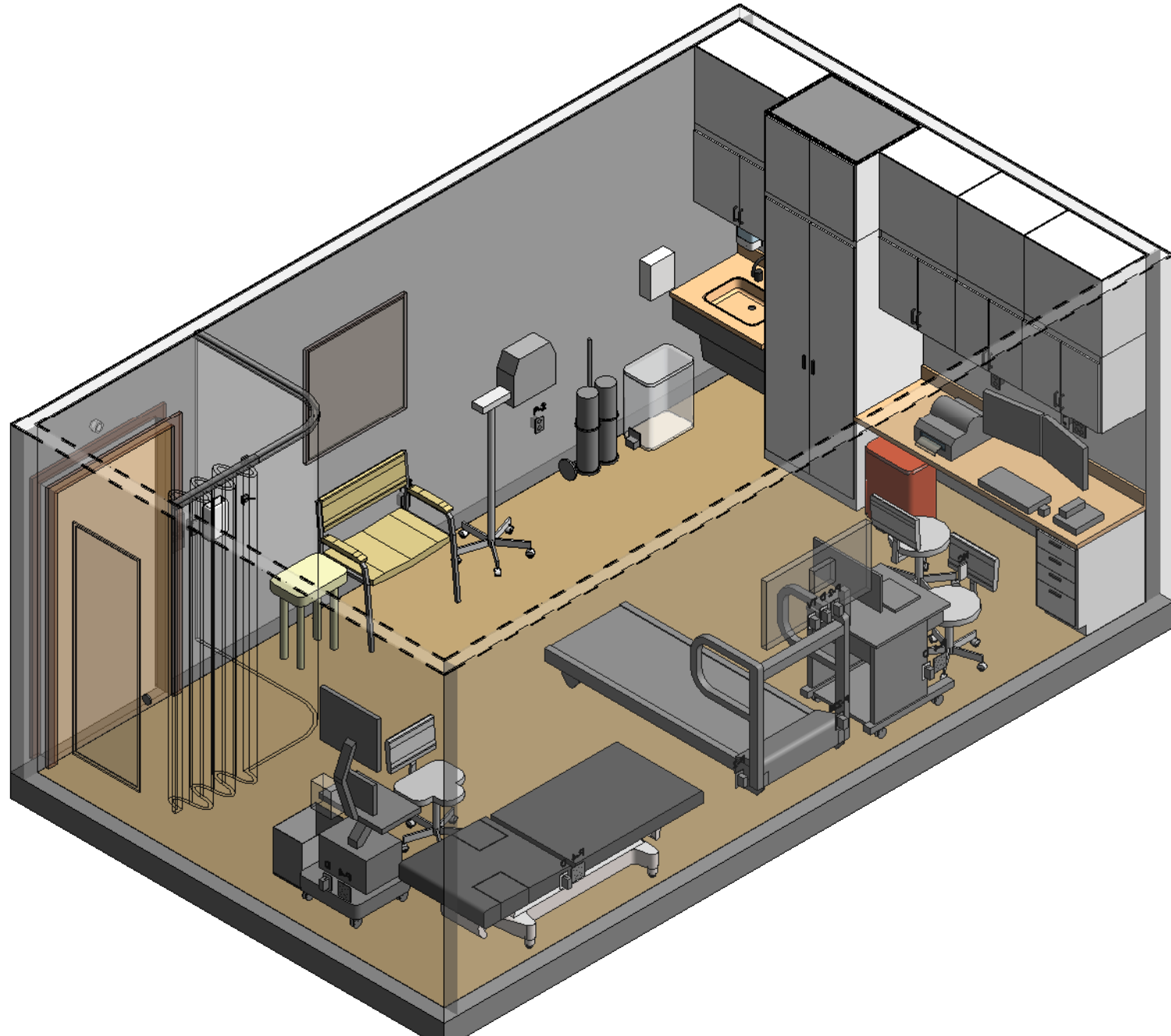
USTW ID	Item	Qty.
P-2	Power - Duplex - 120 V	4

Data Fixtures

UTSW ID	Item	Qty
D-H	Healthcare data	1

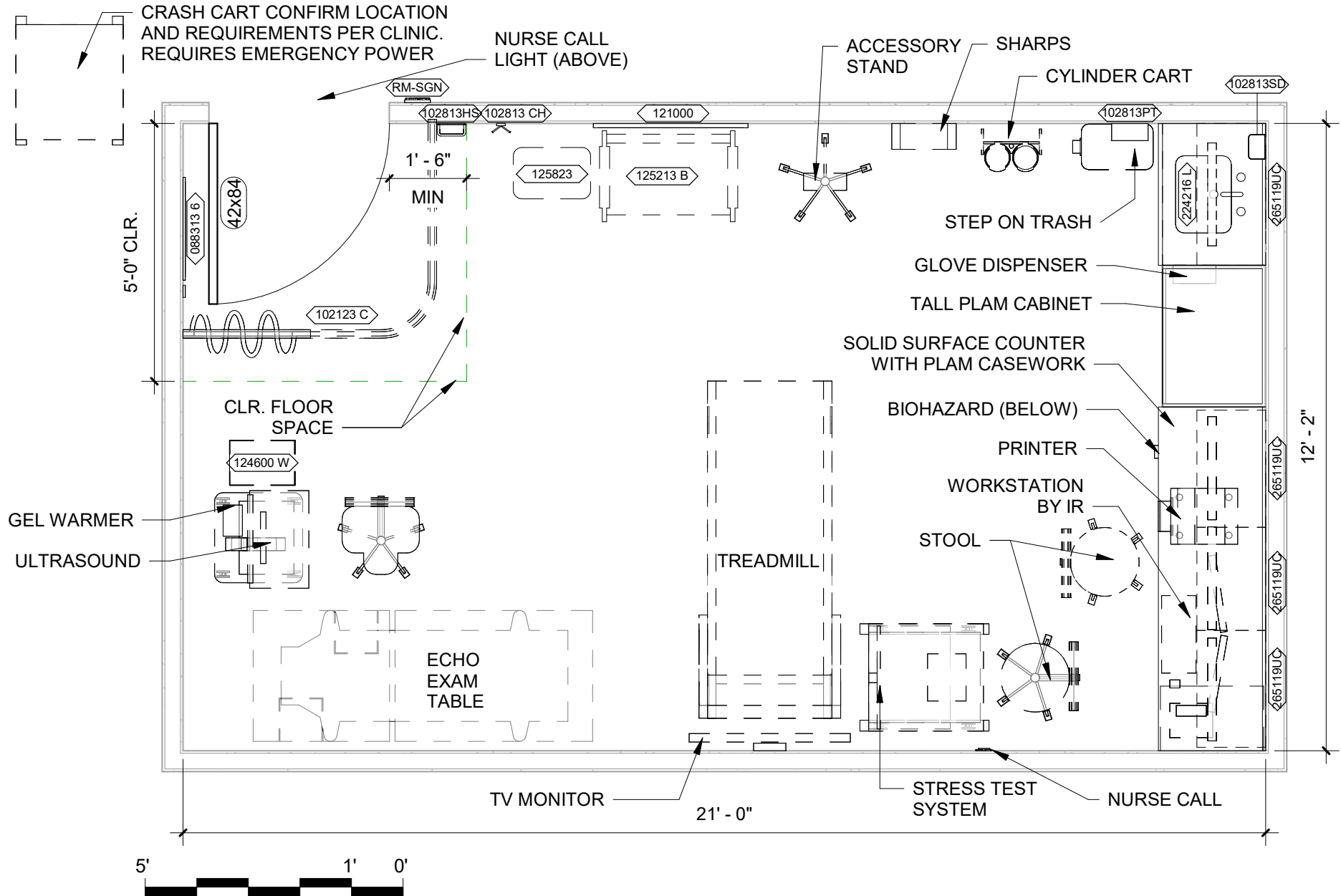
Space Design Guidelines - Basis of Design

Space:	Cardiac Stress / Echo (Cardiology)	Department:	Outpatient	Area:	255 SF
Drawing:	Room Isometric	Drawing Scale:	NTS	Last Update:	12/20/2024



Space Design Guidelines - Basis of Design

Space: Cardiac Stress / Echo (Cardiology)	Department: Outpatient	Area: 255 SF
Drawing: Floor Plan	Drawing Scale: 3/8" = 1'-0"	Last Update: 12/20/2024



Space Design Guidelines - Basis of Design

Space: Cardiac Stress / Echo (Cardiology)	Department: Outpatient	Area: 255 SF
Drawing: Space Notes	Drawing Scale: NTS	Last Update: 12/20/2024

Plan Space Narrative:

Information provided shall be confirmed with UTSW PM.

Furnish assignments shall be confirmed by the UTSW PM. Entity furnishing paper towel and soap dispensers shall be confirmed per project location and lease requirements.

Dashed equipment is specified per project by UTSW

Items noted with symbol are shown on the Component Schedule

UTSW Special Plan Considerations:

Flooring: LVT

Base: Rubber Base

Ceiling: 2x2 ACT

Walls: Paint

Cabinets: Plastic Laminate, extend upper casework to ceiling grid

Countertops: Solid Surface

Blocking (BLKG) by GC shall be coordinated prior to installation.

Confirm crash cart requirements per clinic including location near-by room and emergency power.

Windows are not preferred. Provide black-out roller shades if windows are present.

Discussion needed per project to confirm the needs for a nurse call station.

RCP Space Narrative:

Fire and life safety elements will be designed and laid out per project requirements.

Typical ACT ceiling. Confirm NRC requirements with UTSW PM.

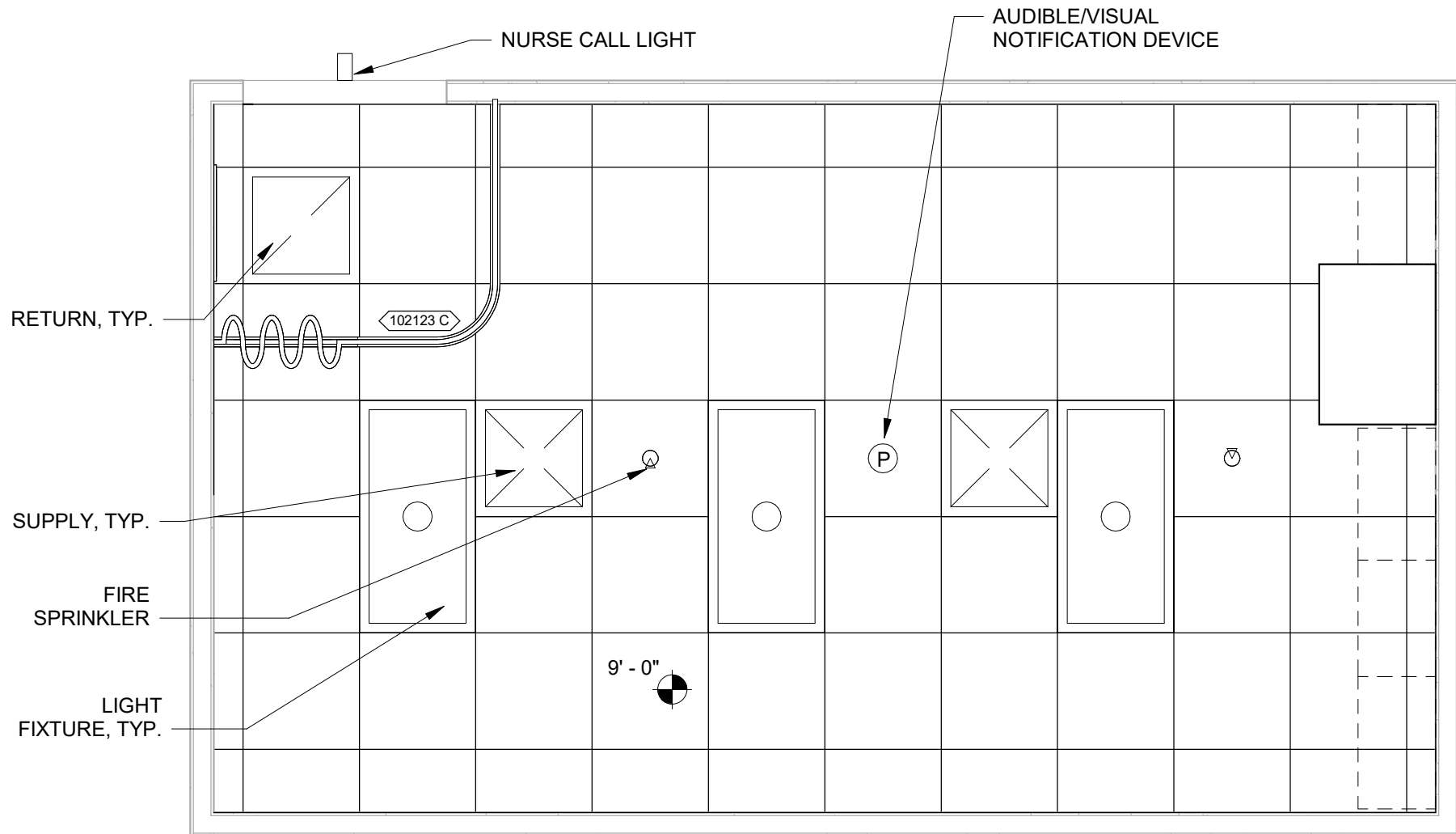
UTSW Special RCP Considerations:

Refer to UTSW Design Guidelines to confirm light fixture types appropriate per project.

Fixtures shall be dimmable to provide full range from low light for exams to full light levels for cleaning.

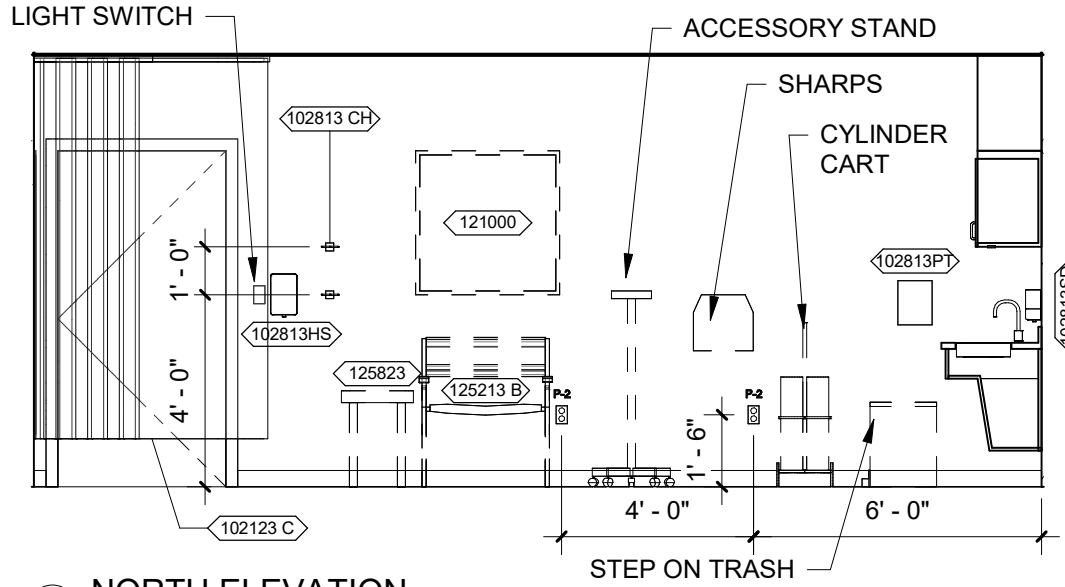
Space Design Guidelines - Basis of Design

Space: Cardiac Stress / Echo (Cardiology)	Department: Outpatient	Area: 255 SF
Drawing: Reflected Ceiling Plan	Drawing Scale: 3/8" = 1'-0"	Last Update: 12/20/2024

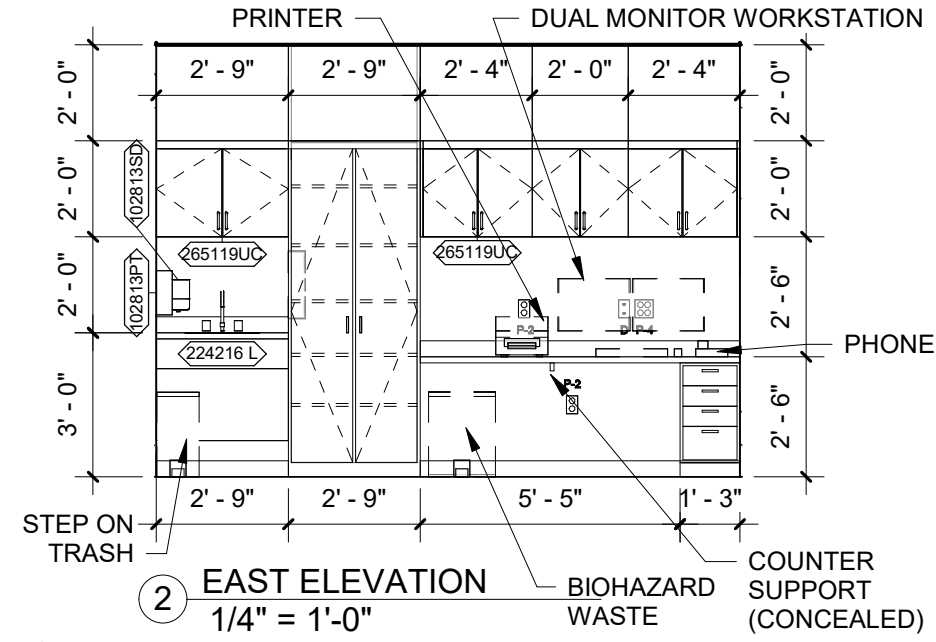


Space Design Guidelines - Basis of Design

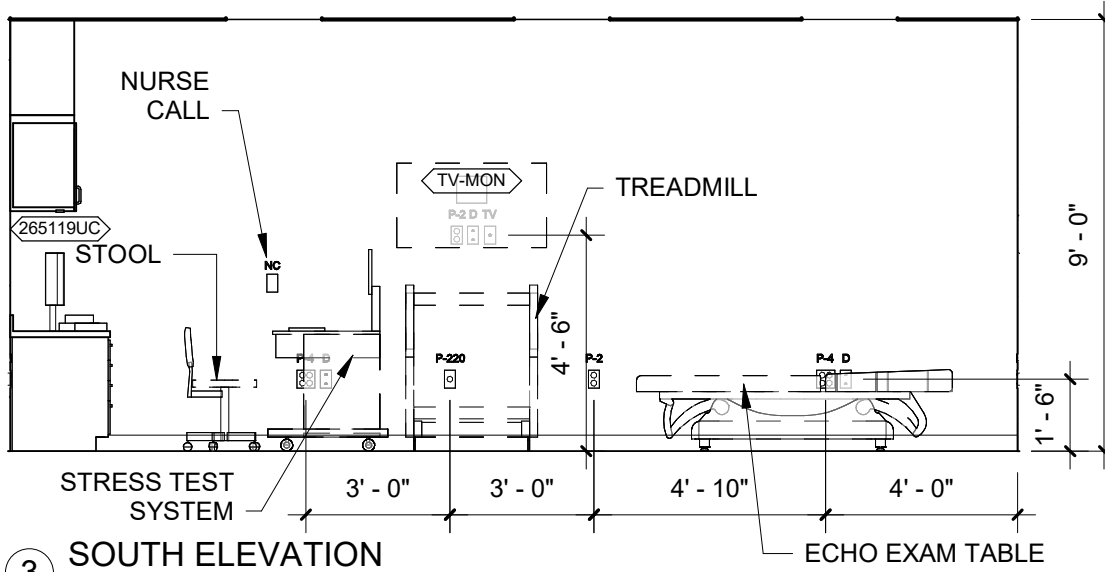
Space: Cardiac Stress / Echo (Cardiology)	Department: Outpatient	Area: 255 SF
Drawing: Elevations	Drawing Scale: 1/4" = 1'-0"	Last Update: 12/20/2024



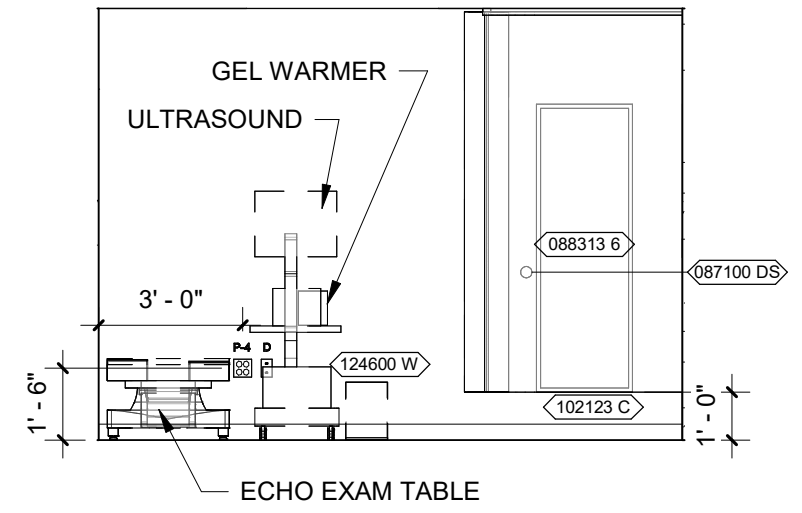
1 NORTH ELEVATION
 1/4" = 1'-0"



2 EAST ELEVATION
 1/4" = 1'-0"



3 SOUTH ELEVATION
 1/4" = 1'-0"



4 WEST ELEVATION
 1/4" = 1'-0"

Space Design Guidelines - Basis of Design

Space: Cardiac Stress / Echo (Cardiology)	Department: Outpatient	Area: 255 SF
Drawing: Component Schedule	Drawing Scale: NTS	Last Update: 12/20/2024

UTSW ID	Product / Manuf / Item	Qty	LF	Utilities								Furnish	Comments	
				1	2	3	4	5	6	7	8			
087100 DS	Door Stop	1		-	-	-	-	-	-	-	-	-	CFCI	
088313 6	Mirror, Float Glass, With SS Frame, 2' X 6'	1		-	-	-	-	-	-	-	-	-	CFCI	
102123 C	Curved Track, Surface Mounted, With Curtain	1	8'-7"	-	-	-	-	-	-	-	-	-	CFCI	IA specifies curtain look/finish
102813 CH	Hook, Garment, Double, SS, Surface Mounted	2		-	-	-	-	-	-	-	-	-	CFCI	
102813HS	Dispenser, Hand Sanitizer, Wall Mtd.	1		-	-	-	-	-	-	-	-	-	CFCI	*Confirm per contract/lease requirements
102813PT	Dispenser, Paper Towel, SS, Surface Mounted	1		-	-	-	-	-	-	-	-	-	CFCI	*Confirm per contract/lease requirements
102813SD	Dispenser, Soap, Disposable	1		-	-	-	-	-	-	-	-	-	CFCI	*Confirm per contract/lease requirements
121000	Artwork, Decorative, With Frame	1		-	-	-	-	-	-	-	-	-	OFOI	
124600	Step-on Waste	1		-	-	-	-	-	-	-	-	-	CFCI	
124600 BH	Biohazard Waste	1		-	-	-	-	-	-	-	-	-	CFCI	
124600 W	Waste, open	1		-	-	-	-	-	-	-	-	-	CFCI	
125213 B	Chair, Bariatric, Side With Arms	1		-	-	-	-	-	-	-	-	-	OFOI	
125823	Side Table	1		-	-	-	-	-	-	-	-	-	OFOI	
224216 L	Sink, bottom mount, solid surface	1		Y	-	-	-	-	-	-	-	-	CFCI	
265119UC	Under cabinet lights, LED	4		-	Y	-	-	-	-	-	-	-	CFCI	
EXTBL	Echo Exam Table	1		-	Y	-	-	-	-	-	-	-	OFOI	Dedicated circuit required.

Utilities Key

- | | |
|---------------------------------|----------------------------------|
| 1. Water / Drain | 5. Non MedGas |
| 2. Electricity - Standard power | 6. Vacuum |
| 3. MedGas | 7. Data - Data and clinical data |
| 4. Misc Gas | 8. Misc. |

Furnish Key

- OFOI - Owner Furnished, Owner Installed
- OFVI - Owner Furnished, Vendor Installed
- OFCI - Owner Furnished, Contractor Installed
- CFCI - Contractor Furnished, Contractor Installed

Space Design Guidelines - Basis of Design

Space: Cardiac Stress / Echo (Cardiology)	Department: Outpatient	Area: 255 SF
Drawing: Component Schedule	Drawing Scale: NTS	Last Update: 12/20/2024

UTSW ID	Product / Manuf / Item	Qty	LF	Utilities								Furnish	Comments	
				1	2	3	4	5	6	7	8			
GELWM	Gel Warmer	1		-	Y	-	-	-	-	-	-	-	OFCI	May locate on ultrasound cart or counter.
PHN	Counter Phone	1		-	-	-	-	-	-	-	Y	-	OFOI	
PRNT	Printer	1		-	Y	-	-	-	-	-	Y	-	OFOI	
RM-SGN	Room Sign, Per Standards	1		-	-	-	-	-	-	-	-	-	CFCI	Location confirmed by UTSW PM and UTSW sign shop
RNCALL	Nurse Call Button	1		-	Y	-	-	-	-	-	Y	-	CFCI	Confirm per project. Includes light fixture in hallway.
SONOSTL	Sonographer Stool	1		-	-	-	-	-	-	-	-	-	OFOI	
STLBK	Stool with Back	2		-	-	-	-	-	-	-	-	-	OFOI	
STSYS	Stress Test System on Cart	2		-	Y	-	-	-	-	-	Y	-	OFOI	
TMILL	Treadmill	1		-	Y	-	-	-	-	-	Y	-	OFOI	220V required, confirm NEMA plug required
TV-MON	TV Monitor	1		-	Y	-	-	-	-	-	Y	Y	OFOI	TV monitor with wall mount for less than 4" total depth
ULTSND	Mobile, Ultrasound	1		-	Y	-	-	-	-	-	Y	-	OFOI	Dedicated circuit required.
WKSTN	Dual Monitor Workstation	1		-	Y	-	-	-	-	-	Y	-	OFOI	

Utilities Key

- | | |
|---------------------------------|----------------------------------|
| 1. Water / Drain | 5. Non MedGas |
| 2. Electricity - Standard power | 6. Vacuum |
| 3. MedGas | 7. Data - Data and clinical data |
| 4. Misc Gas | 8. Misc. |

Furnish Key

- OFOI - Owner Furnished, Owner Installed
 OFVI - Owner Furnished, Vendor Installed
 OFCI - Owner Furnished, Contractor Installed
 CFCI - Contractor Furnished, Contractor Installed

Space Design Guidelines - Basis of Design

Space: Cardiac Stress / Echo (Cardiology)	Department: Outpatient	Area: 255 SF
Drawing: Data/Power Schedule	Drawing Scale: NTS	Last Update: 12/20/2024

Electrical Fixtures

USTW ID	Item	Qty.
P-2	Power - Duplex - 120 V	6
P-4	Power - Quad - 120V	4
P-220	Power - 220 V	1

Data Fixtures

UTSW ID	Item	Qty
D-2	Data- Qty 2	5
TV	Coaxial Cable (TV)	1

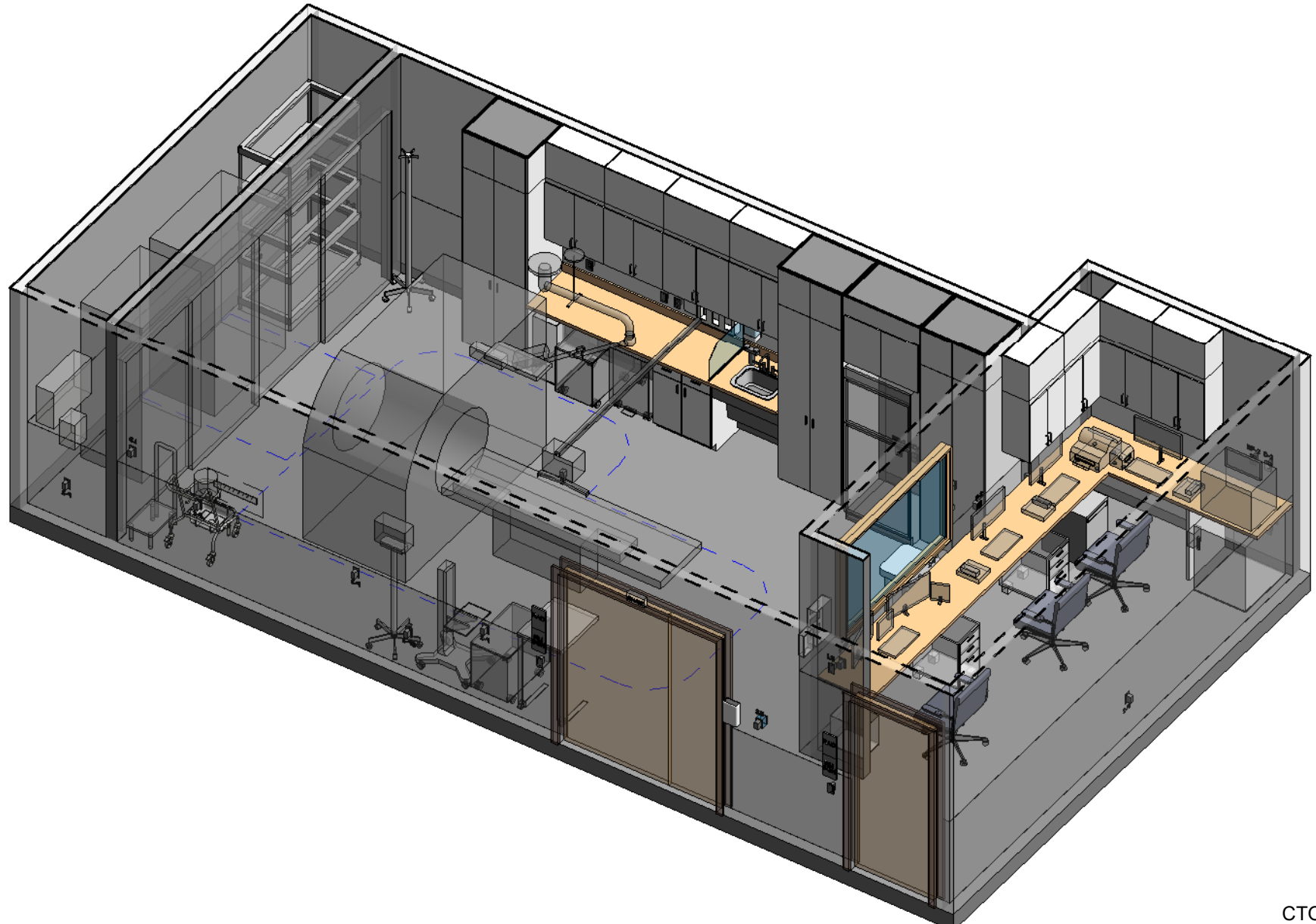
UTSW Special Considerations:

Per project, confirm special power requirements such as dedicated circuits for echo exam table and ultrasound.

For screen installations, each shall be ADA/TAS compliant. Options include providing just power and TV/coaxial cable or providing data as well. For installations with all three utilities, discuss providing recessed back-box to ensure installation is ADA/TAS compliant.

Space Design Guidelines - Basis of Design

Space:	CT Suite (Outpatient Imaging)	Department:	Outpatient	Area:	575 SF
Drawing:	Room Isometric	Drawing Scale:	NTS	Last Update:	12/20/2024



Space Design Guidelines - Basis of Design

Space:	CT Suite (Outpatient Imaging)	Department:	Outpatient	Area:	575 SF
Drawing:	Space Notes - Part 1	Drawing Scale:	NTS	Last Update:	12/20/2024

Plan Space Narrative:

Information provided shall be confirmed with UTSW PM.

Furnish assignments shall be confirmed by the UTSW PM. Entity furnishing paper towel and soap dispensers shall be confirmed per project location and lease requirements.

Dashed equipment is specified per project by UTSW

Items noted with symbol are shown on the Component Schedule

UTSW Special Plan Considerations:

Flooring: Welded Sheet Vinyl

Base: Welded Vinyl

Ceiling: 2x2 ACT

Walls: Wall Protection with Paint above, corner guards at all outside corners.

Cabinets: PLAM All cabinet doors and drawers to have locks.

Countertops: SS Solid Surface, Clear acrylic splash guard at sink CFCI, Provide solid support leg underneath medication dispensing units.

Windows: Windows between CT Control and the CT room shall provide privacy function. Utilize electronically switchable, X-ray shielded unit, or provide between glass integral blinds.

Door: Outpatient typically prefers an uneven pair door and a closer with hold open. Card reader usage is determined per project requirements.

Blocking (BLKG) by GC shall be provided for all wall-mounted equipment and coordinated prior to IFC.

GC shall run conduit from the Data-H to Data-U for vitals connection to Epic at workstation, if present.

RCP Space Narrative:

Fire and life safety elements will be designed and laid out per project requirements.

Final layouts of access panels shall provide easy access to items with maintenance requirements.

UTSW Special RCP Considerations:

Refer to UTSW Design Guidelines to confirm light fixture types appropriate per project.

Fixtures shall be dimmable in both CT and CT Control to provide full range from low light to full light levels. Undercounter lights to be dimmable with control located at the counter.

Provide structural design and support for all ceiling mounted equipment.

Space Design Guidelines - Basis of Design

Space: CT Suite (Outpatient Imaging)	Department: Outpatient	Area: 575 SF
Drawing: Space Notes - Part 2	Drawing Scale: NTS	Last Update: 12/20/2024

Space Considerations:

The CT room size and configuration shall be based on the minimum requirements for the project specific equipment and usage requirements. Design shall ensure required access areas, work zones, and clearances are provided for all equipment and processes. Discuss preferences for utilities. Independent chiller supply preferred for imaging equipment.

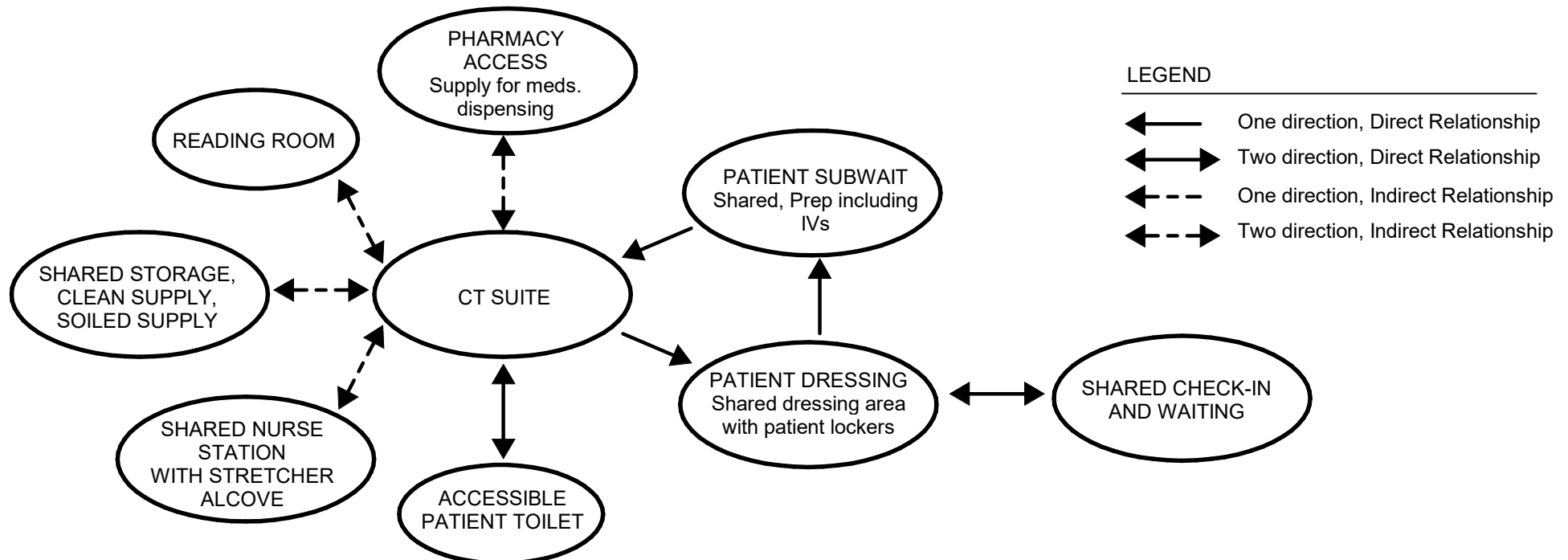
Layout shall ensure easy and safe movement for patients and providers. Where infrastructure allows, provide ceiling mounted patient lift. Document accessory equipment space needs, storage requirements, and work areas for the project.

Confirm:

- Utilities requirements including emergency power and dedicated circuit needs.
- Emergency notification system utilized: CDAS, RTLS.
- Door Requirements: Hardware and door types.
- Access Control: Clinic strategy and infrastructure.
- Computer system quantities, accessories, and requirements.
- Storage requirements including ancillary spaces, millwork, and mobile pedestal quantities.
- Structural requirements and constraints.

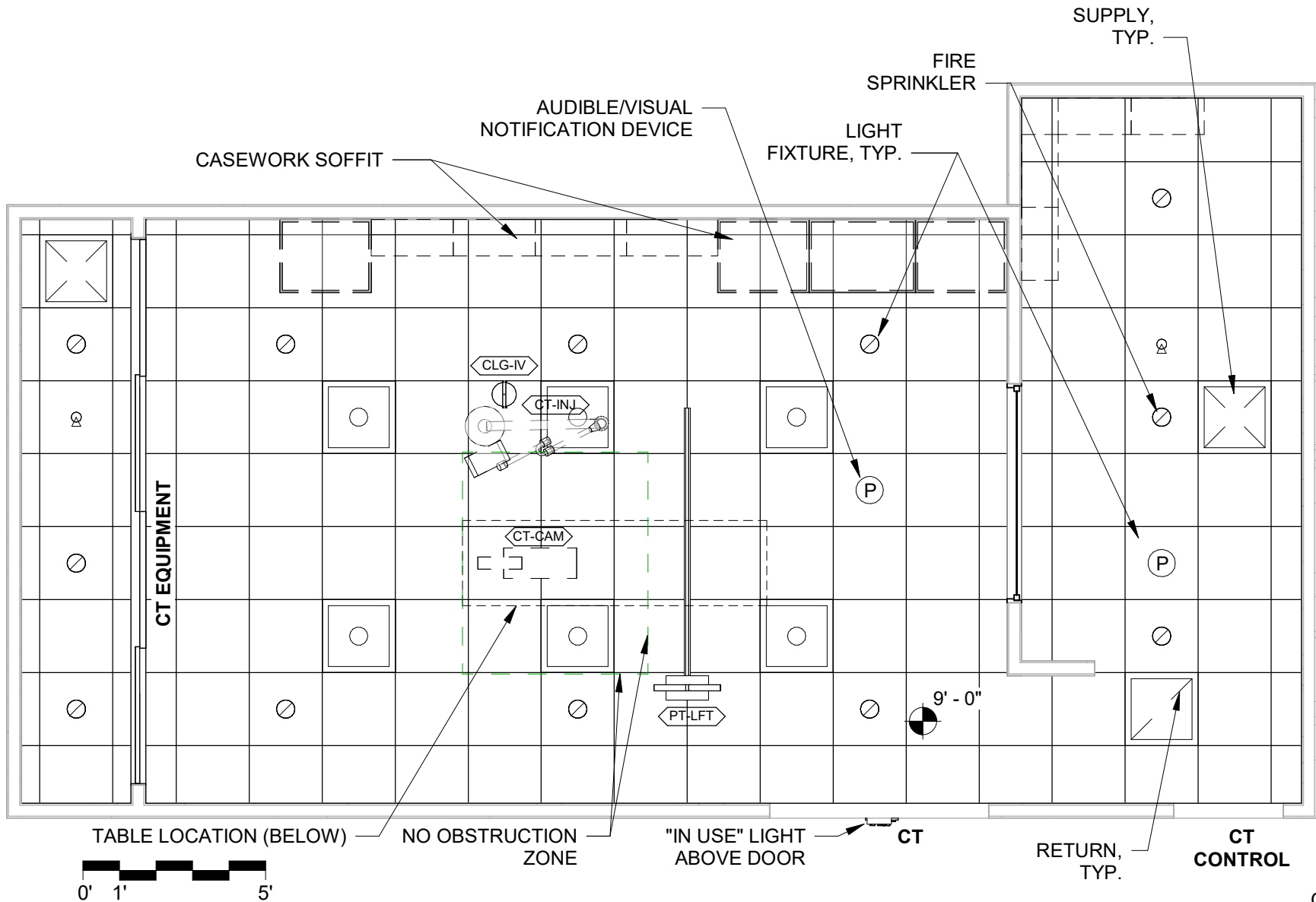
Space Relationship Considerations:

Confirm and discuss space relationships per project. Potential related spaces and relationships identified in diagram.



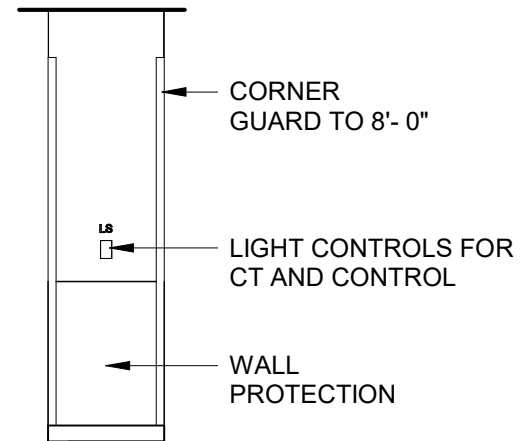
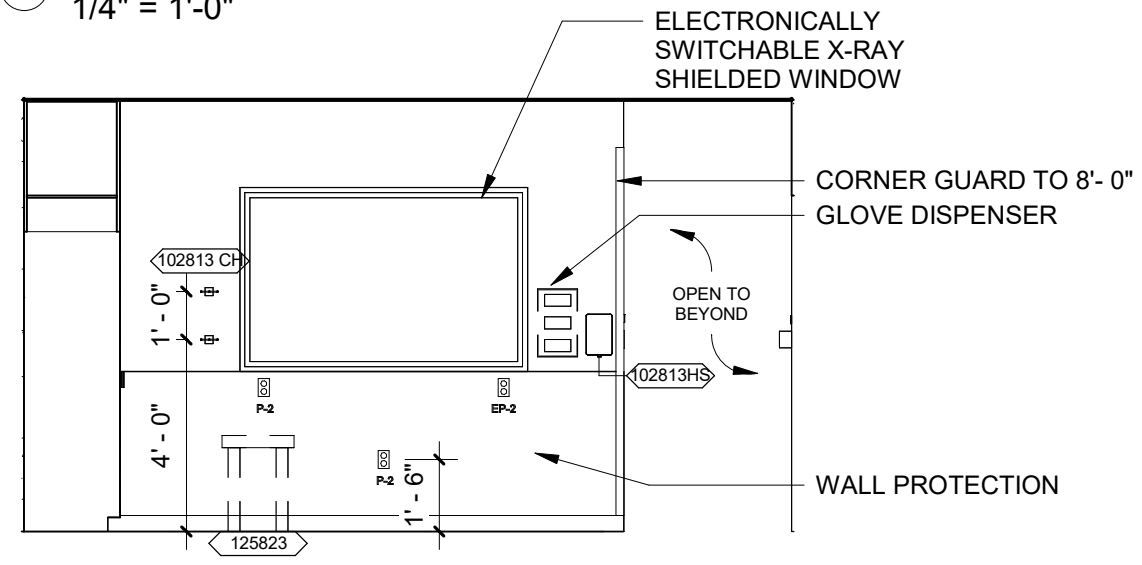
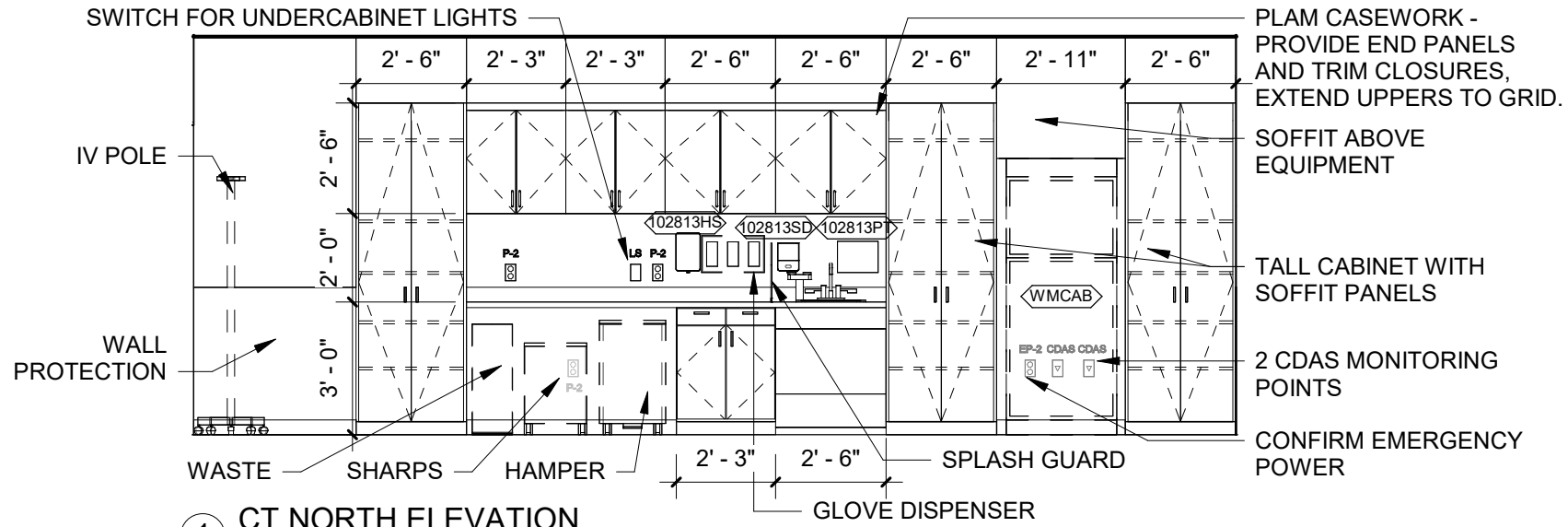
Space Design Guidelines - Basis of Design

Space: CT Suite (Outpatient Imaging)	Department: Outpatient	Area: 575 SF
Drawing: Reflected Ceiling Plan	Drawing Scale: 1/4" = 1'-0"	Last Update: 12/20/2024



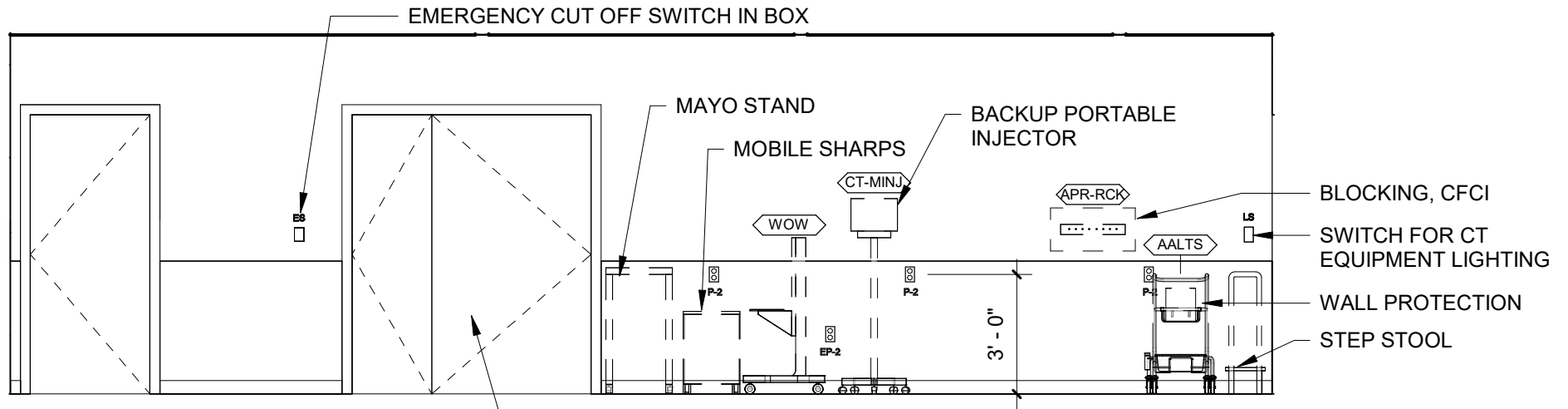
Space Design Guidelines - Basis of Design

Space: CT Suite (Outpatient Imaging)	Department: Outpatient	Area: 575 SF
Drawing: CT Elevations	Drawing Scale: 1/4" = 1'-0"	Last Update: 12/20/2024

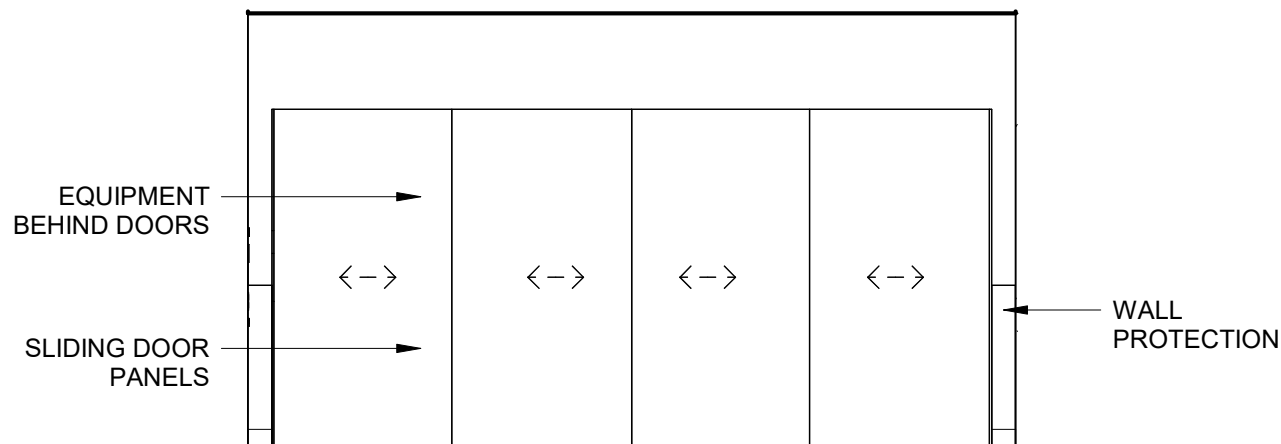


Space Design Guidelines - Basis of Design

Space: CT Suite (Outpatient Imaging)	Department: Outpatient	Area: 575 SF
Drawing: CT Elevations	Drawing Scale: 1/4" = 1'-0"	Last Update: 12/20/2024



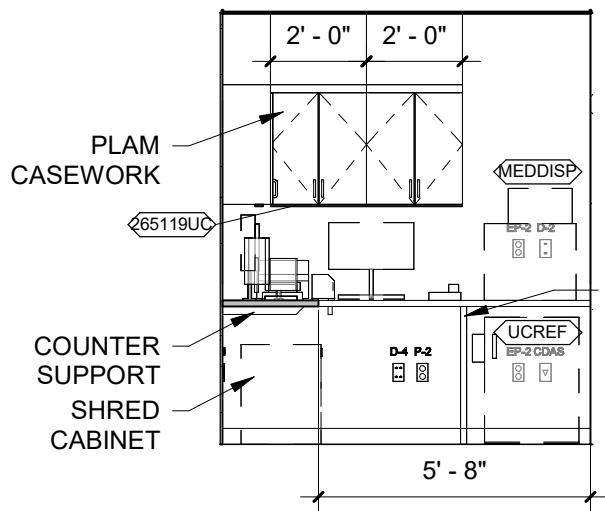
① **CT SOUTH ELEVATION**
 1/4" = 1'-0"



② **CT WEST ELEVATION**
 1/4" = 1'-0"

Space Design Guidelines - Basis of Design

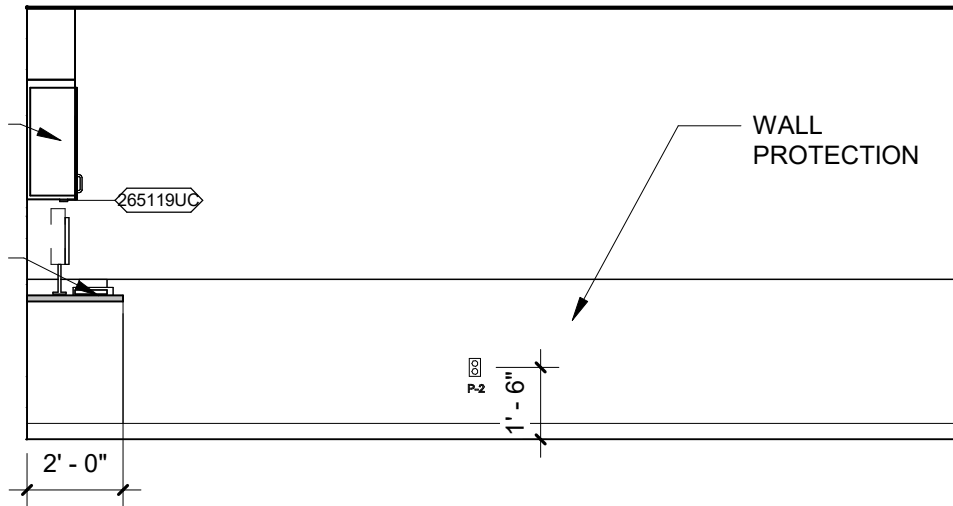
Space: CT Suite (Outpatient Imaging)	Department: Outpatient	Area: 575 SF
Drawing: Control Elevations	Drawing Scale: 1/4" = 1'-0"	Last Update: 12/20/2024



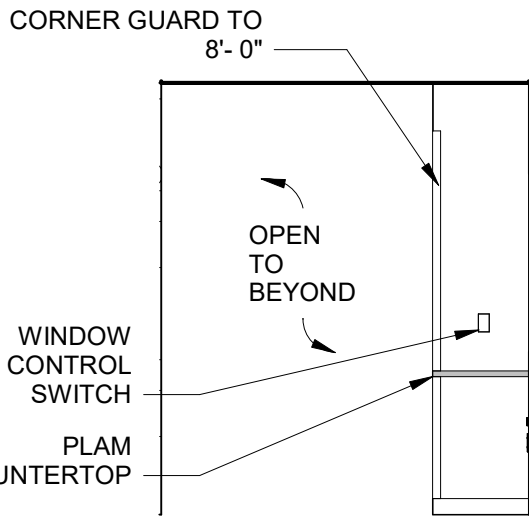
1 CONTROL NORTH ELEVATION
 1/4" = 1'-0"

PLAM CASEWORK -
 PROVIDE END
 PANELS AND TRIM
 CLOSURES, EXTEND
 UPPERS TO GRID.

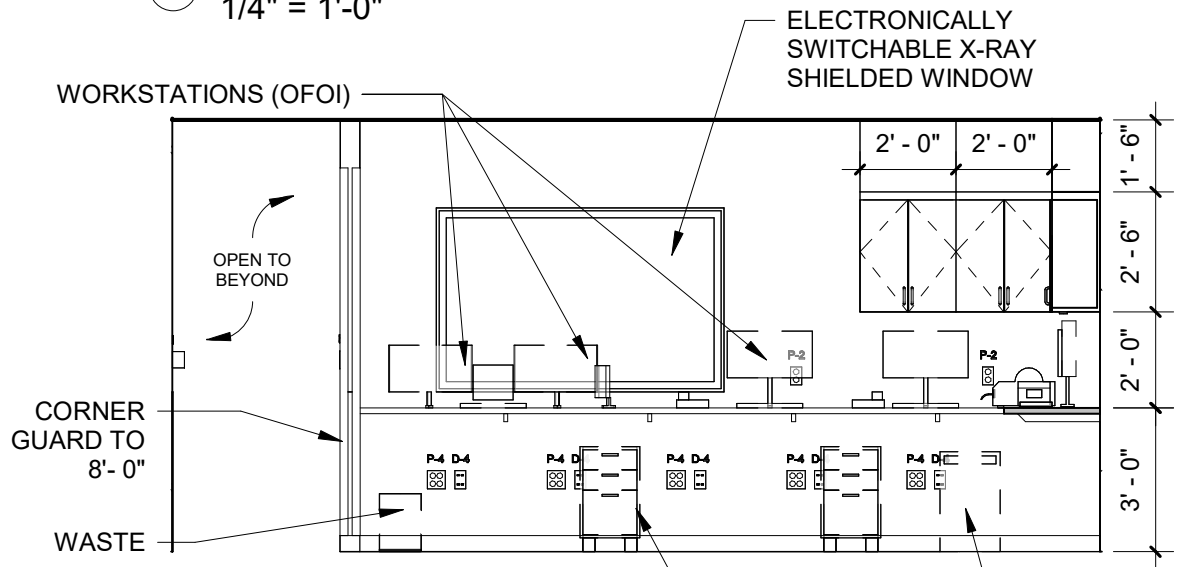
FULL HEIGHT
 SUPPORT FOR
 MEDICATION
 DISPENSING



2 CONTROL EAST ELEVATION
 1/4" = 1'-0"



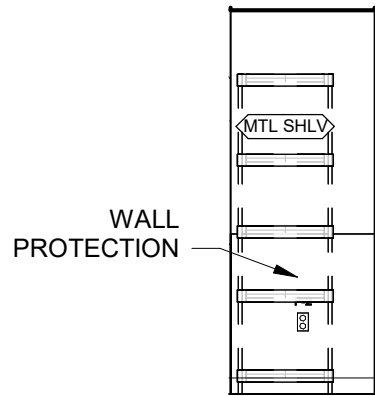
3 CONTROL SOUTH ELEVATION
 1/4" = 1'-0"



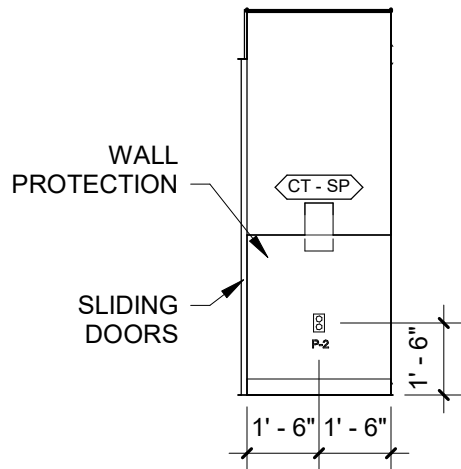
4 CONTROL WEST ELEVATION
 1/4" = 1'-0"

Space Design Guidelines - Basis of Design

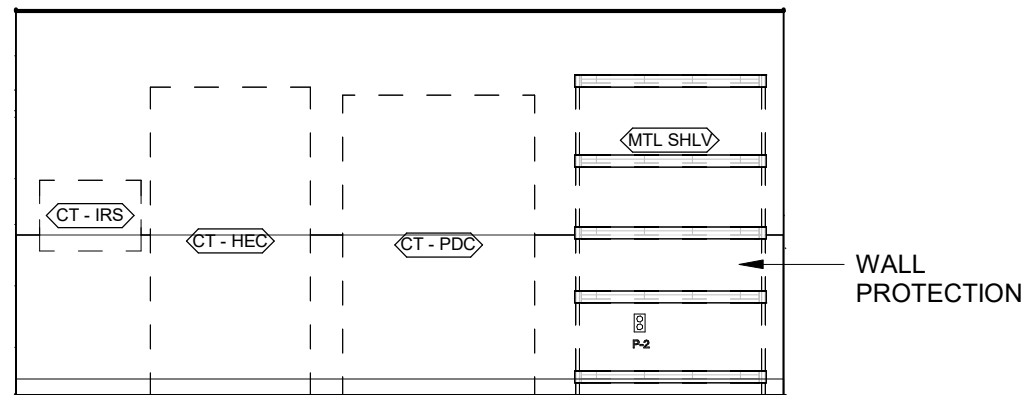
Space: CT Suite (Outpatient Imaging)	Department: Outpatient	Area: 575 SF
Drawing: Equipment Room Elevations	Drawing Scale: 1/4" = 1'-0"	Last Update: 12/20/2024



① EQUIP NORTH ELEVATION
 1/4" = 1'-0"



② EQUIP SOUTH ELEVATION
 1/4" = 1'-0"



③ EQUIP WEST ELEVATION
 1/4" = 1'-0"

Space Design Guidelines - Basis of Design

Space: CT Suite (Outpatient Imaging)	Department: Outpatient	Area: 575 SF
Drawing: Component Schedule - Part 1	Drawing Scale: NTS	Last Update: 12/20/2024

UTSW ID	Product / Manuf / Item	Qty	LF	Utilities								Furnish	Comments	
				1	2	3	4	5	6	7	8			
102813 CH	Hook, Garment, Double, SS, Surface Mounted	2		-	-	-	-	-	-	-	-	-	CFCI	
102813HS	Dispenser, Hand Sanitizer,	3		-	-	-	-	-	-	-	-	-	CFCI	*Confirm per contract/lease reqs.
102813PT	Dispenser, Paper Towel, SS,	1		-	-	-	-	-	-	-	-	-	CFCI	*Confirm per contract/lease reqs.
102813SD	Dispenser, Soap, Disposable	1		-	-	-	-	-	-	-	-	-	CFCI	*Confirm per contract/lease reqs.
125823	Side Table	1		-	-	-	-	-	-	-	-	-	OFOI	
224000S	Sink, SS, Single	1		Y	-	-	-	-					CFCI	Drop-in, stainless steel
224216 E	Hand-held eyewash	1		Y	-	-	-	-	-	-	-	-	CFCI	Confirm requirements per project.
265119UC	Under cabinet lights, LED	8		-	Y	-	-	-	-	-	-	-	CFCI	Dimmable, adjacent controlled together
AALTS	Air-Assisted Lateral Transfer System and Cart	1		-	Y	-	-	-	-	-	-	-	OFOI	Mobile inflater, pad, and cart.
APR-RCK	4 Apron Rack	1		-	-	-	-	-	-	-	-	-	OFCI	Confirm blocking requirements.
CLG-IV	Ceiling Mounted IV Pole	1		-	-	-	-	-	-	-	-	-	OFCI	
COMP	CT Required Workstations - Includes Epic, Siemens, Injector, Recon	3		-	Y	-	-	-	-	Y	-	-	OFOI	Confirm requirements per project
CT	CT Scanner	1		-	Y	-	-	-	-	Y	-	-	OFOI	Confirm emergency power.
CT - HEC	CT - Heat exchanger cabinet	1		-	Y	-	-	-	-	Y	-	-	OFOI	
CT - IRS	CT - Image reconstruction system	1		-	Y	-	-	-	-	Y	-	-	OFOI	
CT - PDC	CT - Power distribution cabinet	1		-	Y	-	-	-	-	Y	-	-	OFOI	
CT - SP	CT - Surge protector panel	1		-	Y	-	-	-	-	Y	-	-	OFCI	
CT- WAS	CT - Outdoor water/air split	1		-	Y	-	-	-	-	Y	-	-	OFCI	
CT-CAM	CT - Camera, Ceiling Mounted	1		-	Y	-	-	-	-	Y	-	-	OFCI	
CT-INJ	CT - MedRad Injector, Ceiling Mounted	1		-	Y	-	-	-	-	Y	-	-	OFCI	Ceiling mounted preferred
CT-MINJ	CT - Medrad Injector	1		-	Y	-	-	-	-	Y	-	-	OFOI	Mobile, back-up unit

Utilities Key

- | | |
|---------------------------------|----------------------------------|
| 1. Water / Drain | 5. Non MedGas |
| 2. Electricity - Standard power | 6. Vacuum |
| 3. MedGas | 7. Data - Data and clinical data |
| 4. Misc Gas | 8. Misc. |

Furnish Key

- OFOI - Owner Furnished, Owner Installed
 OFVI - Owner Furnished, Vendor Installed
 OFCI - Owner Furnished, Contractor Installed
 CFCI - Contractor Furnished, Contractor Installed

Space Design Guidelines - Basis of Design

Space: CT Suite (Outpatient Imaging)	Department: Outpatient	Area: 575 SF
Drawing: Component Schedule - Part 2	Drawing Scale: NTS	Last Update: 12/20/2024

UTSW ID	Product / Manuf / Item	Qty	LF	Utilities								Furnish	Comments	
				1	2	3	4	5	6	7	8			
CTWKST	CT Workstation	1		-	Y	-	-	-	-	-	Y	-	OFOI	Confirm requirements per project
DOCPNT	Document Printer	1		-	Y	-	-	-	-	-	Y	-	OFOI	
EMG SO	CT Emergency Shut Off	1		-	-	-	-	-	-	-	-	-	OFOI	Confirm location per project.
INUSE	Lighted sign, Radiation In Use	1		-	Y	-	-	-	-	-	-	-	CFCI	Lighted, Location confirmed by UTSW
LBLPNT	Printer, Label, Pharmacy	1		-	Y	-	-	-	-	-	Y	-	OFOI	
MEDDISP	Host Medication Dispenser (countertop)	1		-	Y	-	-	-	-	-	Y	-	OFOI	Emergency power, CDAS, connected to refrigerator. For countertop locations, provide floor mounted support(s).
MTL SHLV	Tall Metal Shelving Unit	1		-	Y	-	-	-	-	-	Y	-	OFOI	Mobile, confirm sizes and quantities per project.
PHN	Counter Phone	3		-	-	-	-	-	-	-	Y	-	OFOI	Confirm requirements per project.
PT-LFT	Patient Lift, Ceiling Mounted	1		-	Y	-	-	-	-	-	-	-	CFCI	Requires structure and structural coordination (05 43 00)
RAD-SGN	Sign, Caution Radiation	2		-	-	-	-	-	-	-	-	-	CFCI	Location confirmed by UTSW
RM-SGN	Room Sign, Per Standards	2		-	-	-	-	-	-	-	-	-	CFCI	Location confirmed by UTSW
UCREF	Undercounter refrigerator	1		-	Y	-	-	-	-	-	-	-	OFOI	Remote lock, CDAS or RTLS, Emergency power, connected to Host Meds. Disp.
WMCAB	Warming Cabinet	1		-	Y	-	-	-	-	-	Y	-	OFOI	Emergency power, CDAS.
WOW	Mobile, Workstation	1		-	Y	-	-	-	-	-	Y	-	OFOI	Confirm location and charging location.

Utilities Key

- | | |
|---------------------------------|----------------------------------|
| 1. Water / Drain | 5. Non MedGas |
| 2. Electricity - Standard power | 6. Vacuum |
| 3. MedGas | 7. Data - Data and clinical data |
| 4. Misc Gas | 8. Misc. |

Furnish Key

- OFOI - Owner Furnished, Owner Installed
- OFVI - Owner Furnished, Vendor Installed
- OFCI - Owner Furnished, Contractor Installed
- CFCI - Contractor Furnished, Contractor Installed

Space Design Guidelines - Basis of Design

Space: CT Suite (Outpatient Imaging)	Department: Outpatient	Area: 575 SF
Drawing: Data/Power Schedule	Drawing Scale: NTS	Last Update: 12/20/2024

Electrical Fixtures

USTW ID	Item	Qty.
CDAS	CDAS Connection	4
EP-2	Emergency Power - Duplex - 120 V	4
P-2	Power - Duplex - 120V	17
P-4	Power - Quad - 120V	5
SGB	Single gang Box - Card Reader	2

Data Fixtures

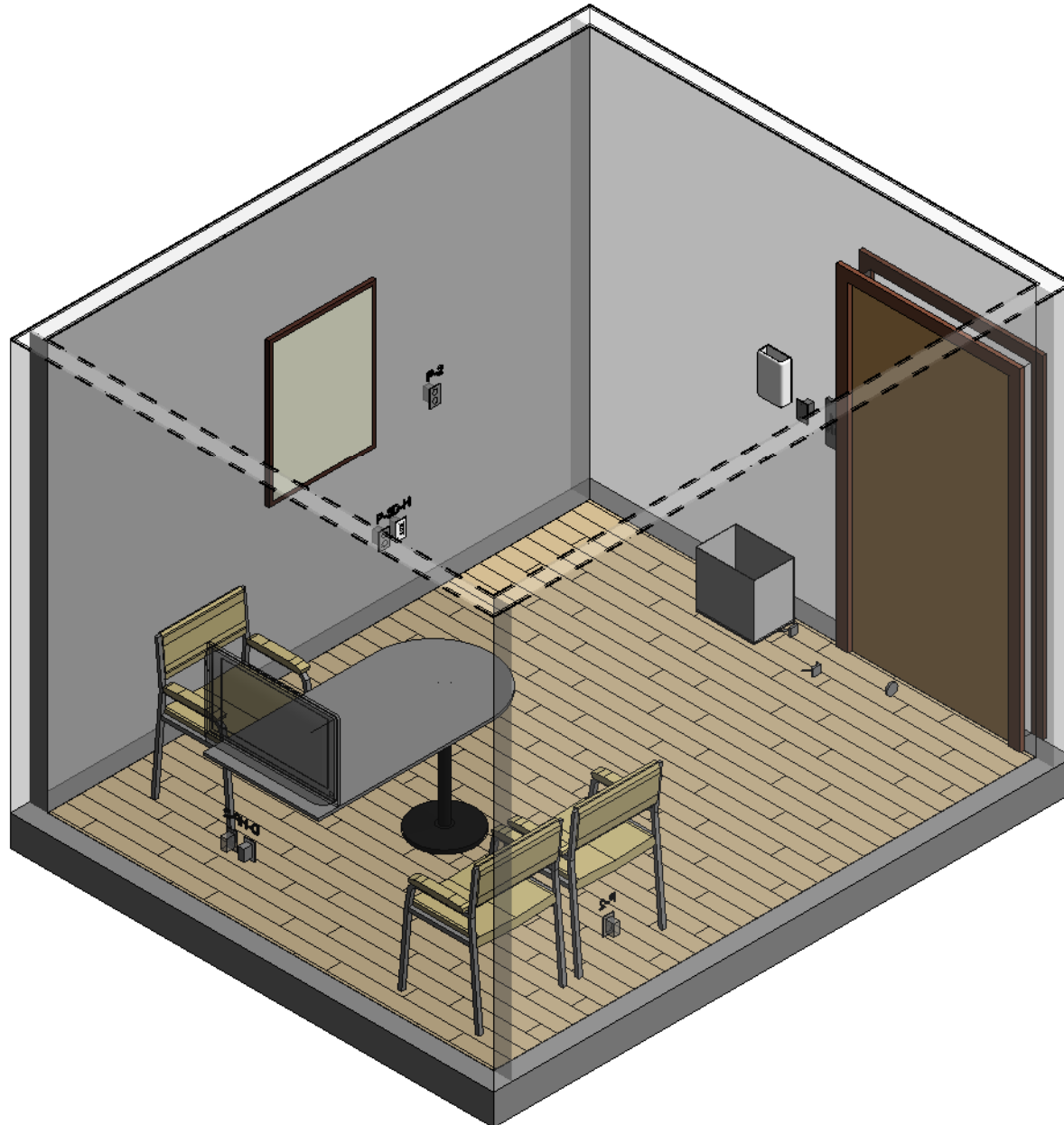
UTSW ID	Item	Qty
D-4	DATA - Qty 4	7

UTSW Special Considerations:

Per project, confirm special power requirements and infrastructure provisions.

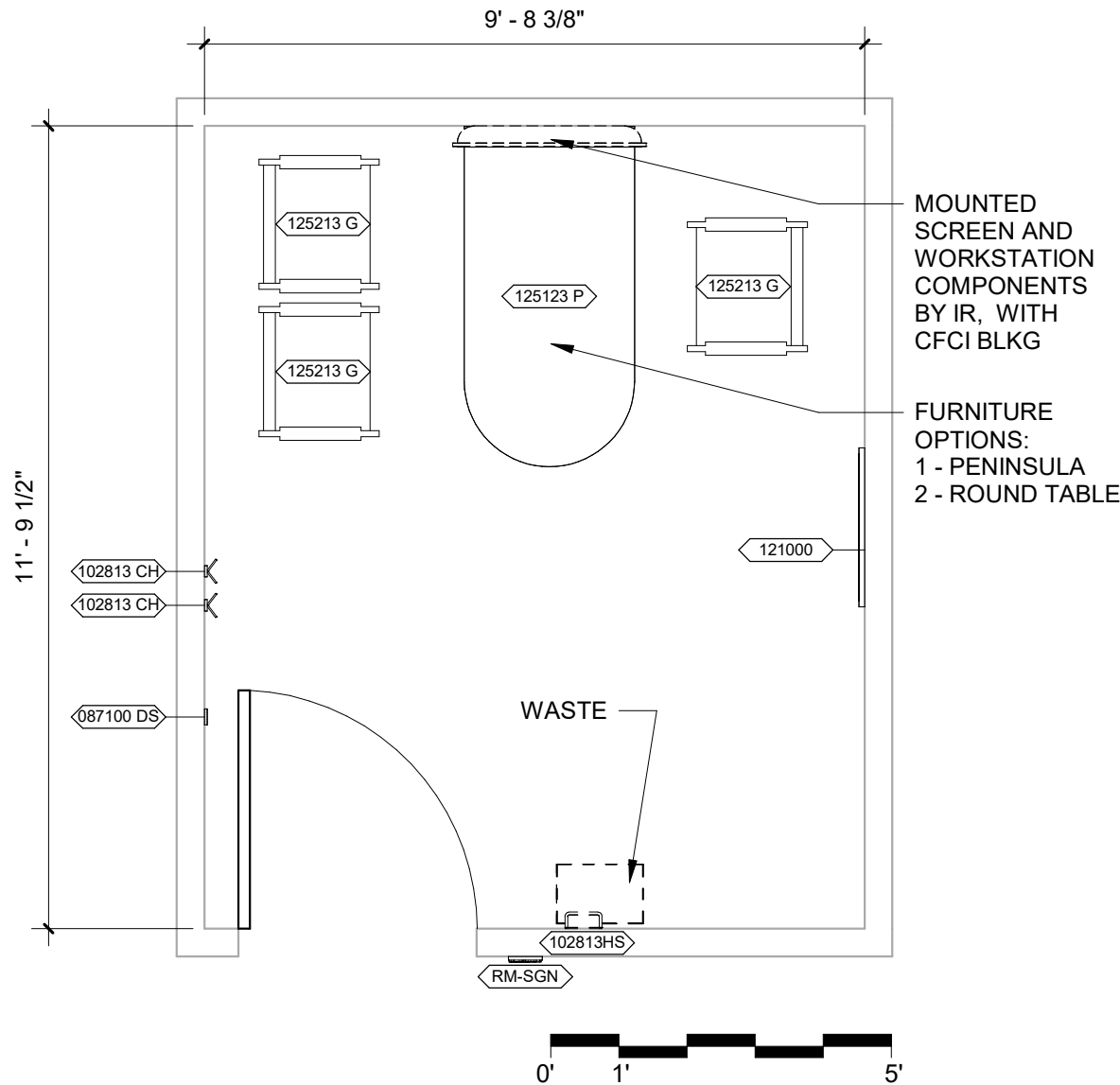
Space Design Guidelines - Basis of Design

Space: Consult Room	Department: Outpatient	Area: 115 SF
Drawing: Room Isometric	Drawing Scale: NTS	Last Update: 12/20/2024



Space Design Guidelines - Basis of Design

Space: Consult Room	Department: Outpatient	Area: 115 SF
Drawing: Floor Plan	Drawing Scale: 3/8" = 1'-0"	Last Update: 12/20/2024



Space Narrative:

Information provided shall be confirmed with UTSW PM.

Furnish assignments shall be confirmed by the UTSW PM. Entity furnishing paper towel and soap dispensers shall be confirmed per project location and lease requirements.

Dashed equipment is specified per project by UTSW

Items noted with symbol are shown on the Component Schedule

Consult room size is based off of standard exam room module.

UTSW Special Considerations:

Flooring: LVT

Base: Rubber Base

Ceiling: 2x2 ACT

Walls: Paint

Casework: Plastic Laminate, extend upper casework to ceiling grid

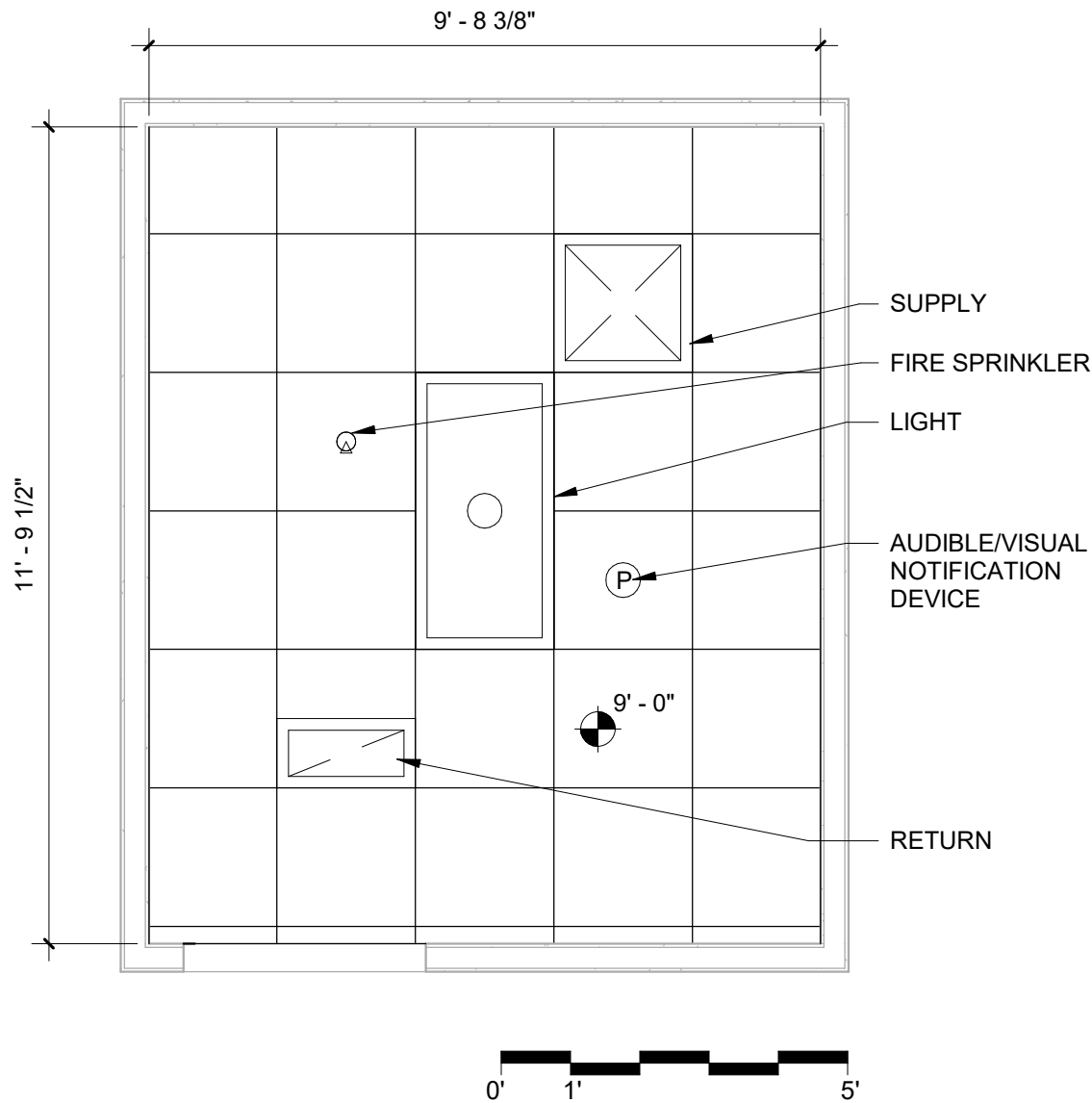
Countertops: Solid Surface

Blocking (BLKG) by GC shall be coordinated prior to installation.

GC shall run conduit from the Data-H to Data-U for vitals connection to Epic at workstation, if present.

Space Design Guidelines - Basis of Design

Space: Consult Room	Department: Outpatient	Area: 115 SF
Drawing: Reflected Ceiling Plan	Drawing Scale: 3/8" = 1'-0"	Last Update: 12/20/2024



Space Narrative:

Fire and life safety elements will be designed and laid out per project requirements.

Typical 2x2 ACT ceiling.

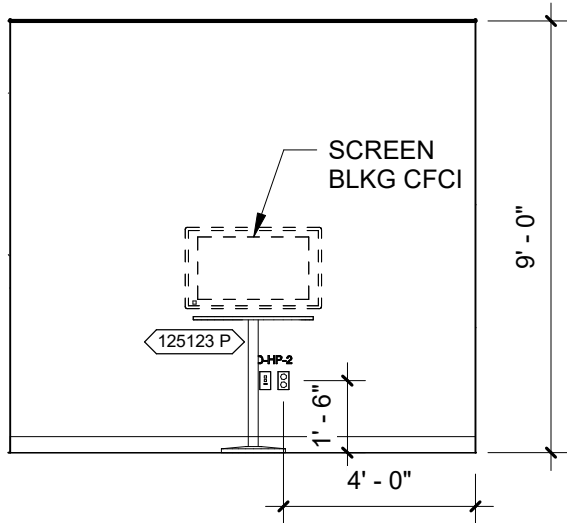
UTSW Special Considerations:

Refer to UTSW Design Guidelines to confirm light fixture types appropriate per project.

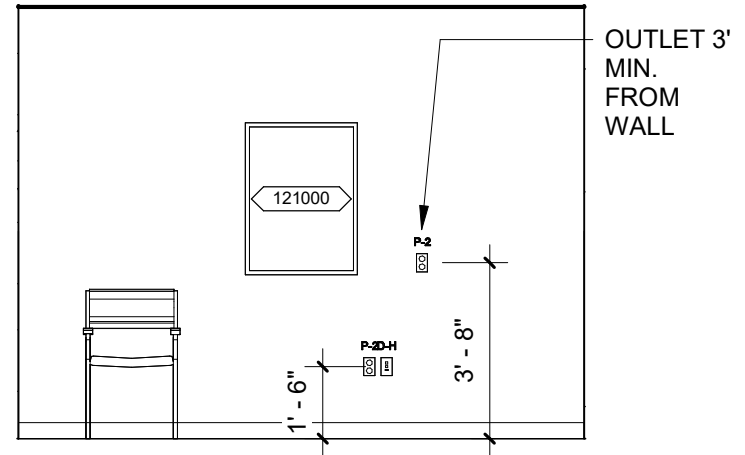
Room light fixtures must be dimmable.

Space Design Guidelines - Basis of Design

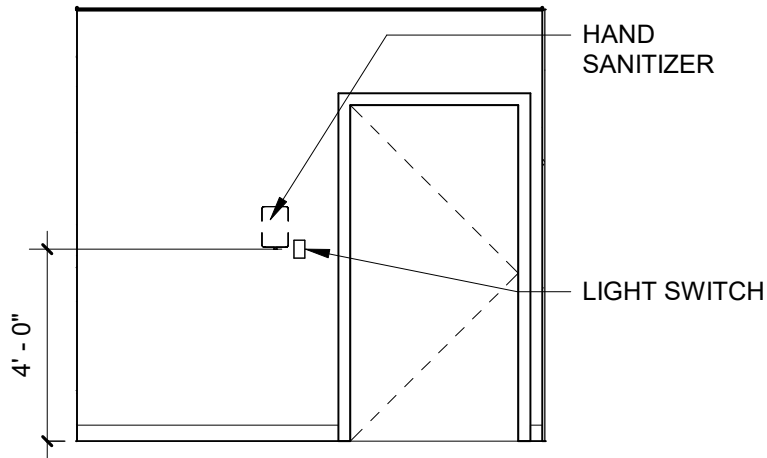
Space: Consult Room	Department: Outpatient	Area: 115 SF
Drawing: Elevations	Drawing Scale: 1/4" = 1'-0"	Last Update: 12/20/2024



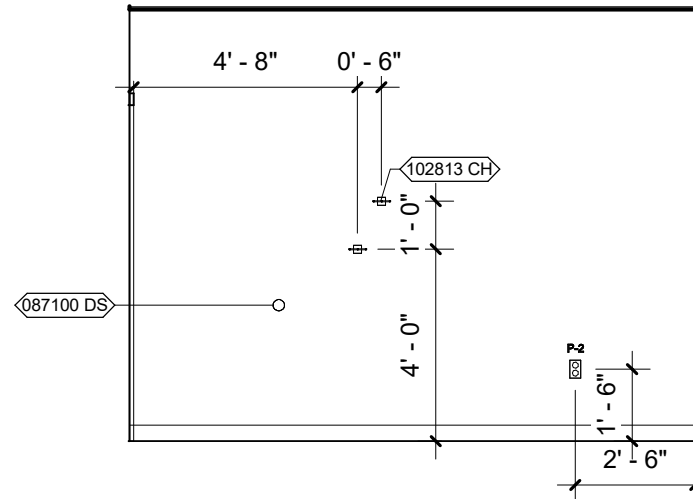
① NORTH ELEVATION
 1/4" = 1'-0"



② EAST ELEVATION
 1/4" = 1'-0"



③ SOUTH ELEVATION
 1/4" = 1'-0"



④ WEST ELEVATION
 1/4" = 1'-0"

Space Design Guidelines - Basis of Design

Space: Consult Room	Department: Outpatient	Area: 115 SF
Drawing: Component Schedule	Drawing Scale: NTS	Last Update: 12/20/2024

UTSW ID	Product / Manuf / Item	Qty	LF	Utilities								Furnish	Comments	
				1	2	3	4	5	6	7	8			
087100 DS	Door Stop	1		-	-	-	-	-	-	-	-	-	CFCI	
102813 CH	Hook, Garment, Double, SS, Surface Mounted	2		-	-	-	-	-	-	-	-	-	CFCI	
102813HS	Dispenser, Hand Sanitizer, Wall Mtd.	1		-	-	-	-	-	-	-	-	-	CFCI	*Confirm per contract/lease requirements
121000	Artwork, Decorative, With Frame	1		-	-	-	-	-	-	-	-	-	OFOI	
125123 P	Peninsula Table	1		-	-	-	-	-	-	-	-	-	OFOI	2'-6" x 5'-0" shown
125213 G	Guest Chair, Side With Arms	3		-	-	-	-	-	-	-	-	-	OFOI	
RM-SGN	Room Sign, Per Standards	1		-	-	-	-	-	-	-	-	-	CFCI	Location confirmed by UTSW PM and UTSW sign shop

Utilities Key

- | | |
|-------------------------------------|----------------------------------|
| 1. Water / Drain - 1 sink and drain | 5. Non MedGas |
| 2. Electricity - Standard power | 6. Vacuum |
| 3. MedGas | 7. Data - Data and clinical data |
| 4. Misc Gas | 8. Misc. |

Furnish Key

- OFOI - Owner Furnished, Owner Installed
 OFVI - Owner Furnished, Vendor Installed
 OFCI - Owner Furnished, Contractor Installed
 CFCI - Contractor Furnished, Contractor Installed

Space Design Guidelines - Basis of Design

Space: Consult Room	Department: Outpatient	Area: 115 SF
Drawing: Data/Power Schedule	Drawing Scale: NTS	Last Update: 12/20/2024

Electrical Fixtures

USTW ID	Item	Qty.
P-2	Power - Duplex - 120 V	4

Data Fixtures

ID	Nomenclature	Qty
D-H	DATA - Qty 2, USB - Qty 1	2

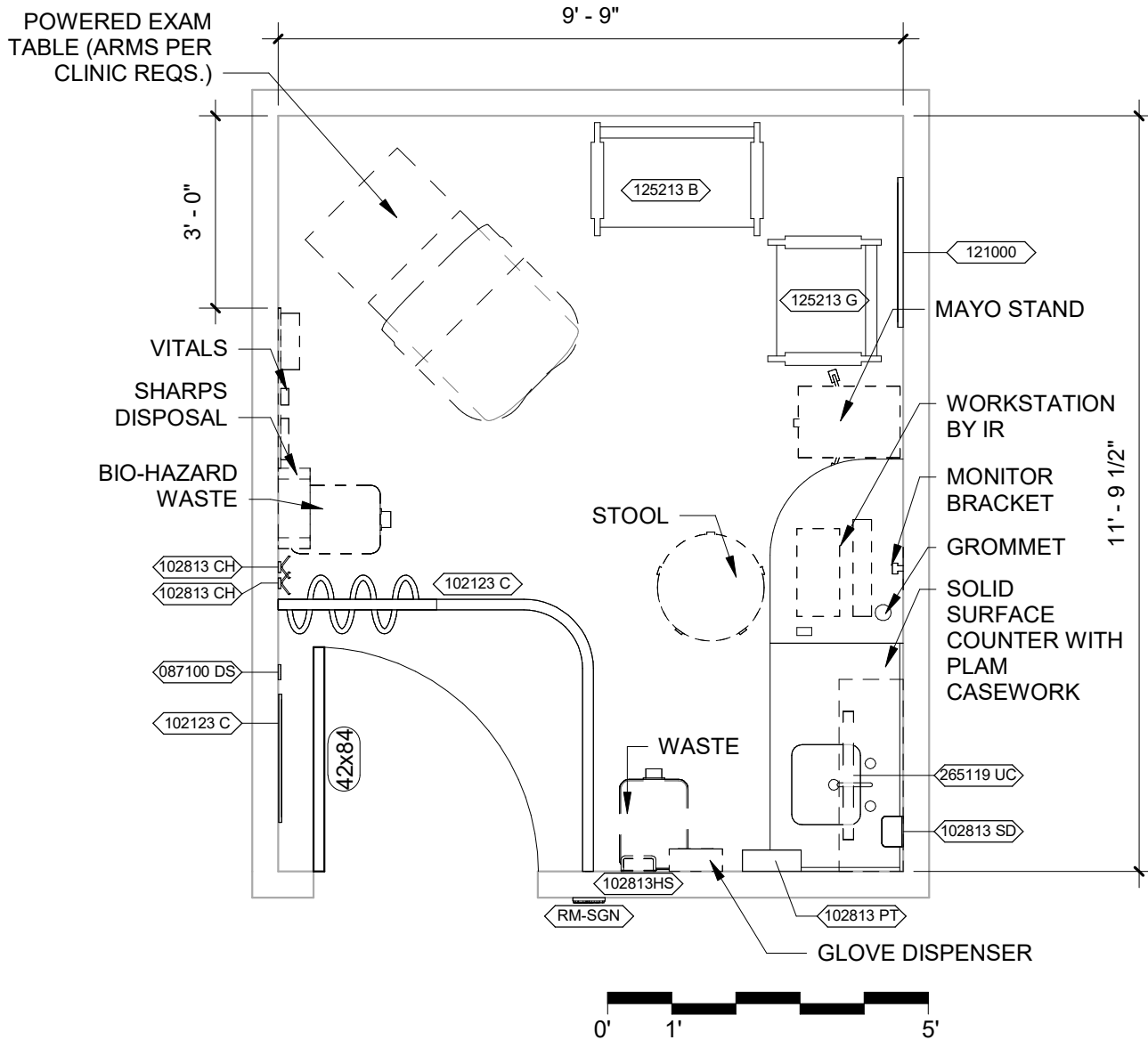
Space Design Guidelines - Basis of Design

Space: Exam Room	Department: Outpatient	Area: 115 SF
Drawing: Room Isometric	Drawing Scale: NTS	Last Update: 12/20/2024



Space Design Guidelines - Basis of Design

Space: Exam Room	Department: Outpatient	Area: 115 SF
Drawing: Floor Plan	Drawing Scale: 3/8" = 1'-0"	Last Update: 12/20/2024



Space Narrative:

Information provided shall be confirmed with UTSW PM.

Furnish assignments shall be confirmed by the UTSW PM. Entity furnishing paper towel and soap dispensers shall be confirmed per project location and lease requirements.

Dashed equipment is specified per project by UTSW

Items noted with symbol are shown on the Component Schedule

Location of sharps container shown in this guideline shall be reviewed and approved by HSA (Health Systems Affairs)

UTSW Special Considerations:

Flooring: LVT

Base: Rubber Base

Ceiling: 2x2 ACT

Walls: Paint

Casework: Plastic Laminate, extend upper casework to ceiling grid

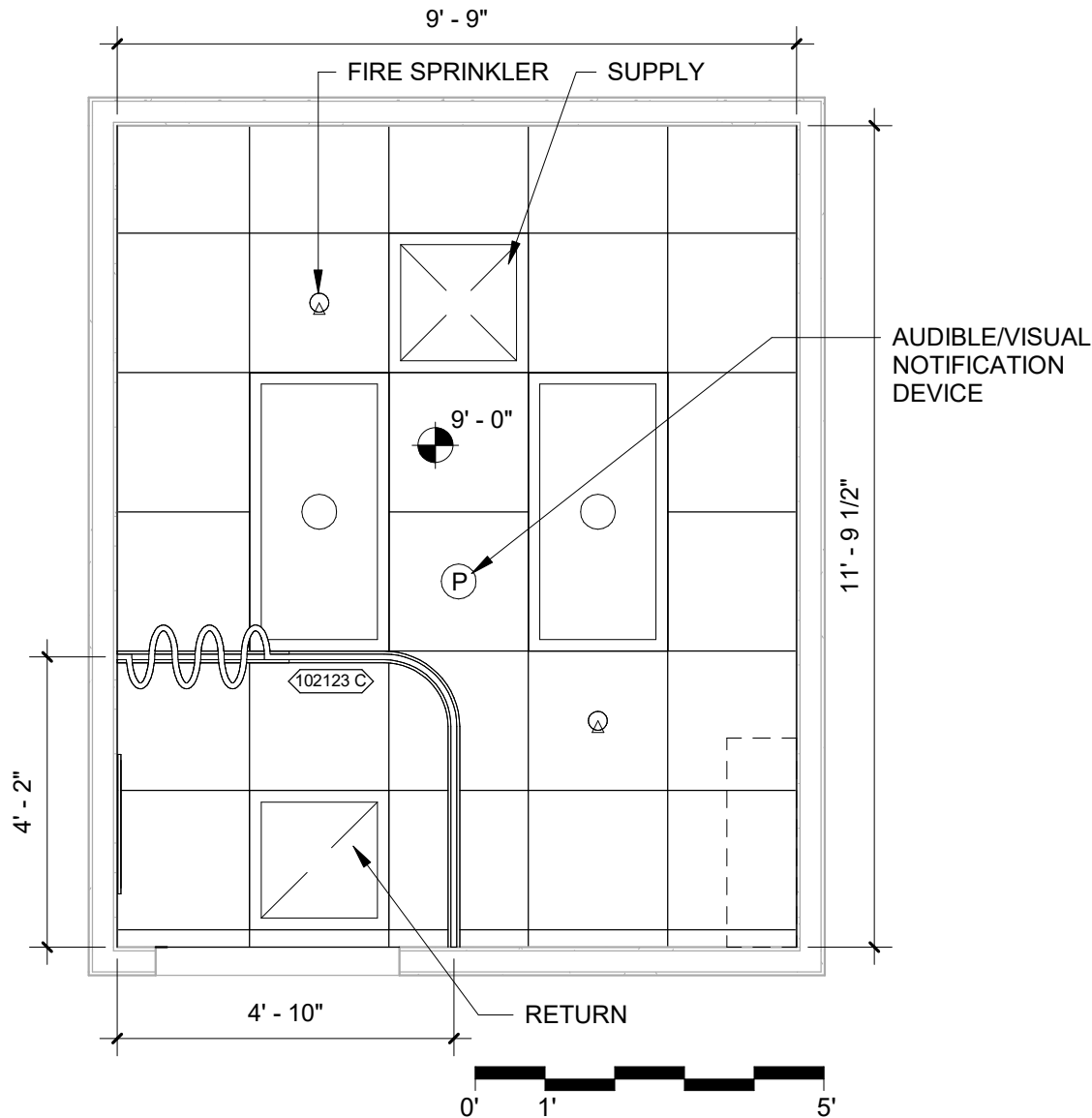
Countertops: Solid Surface

Blocking (BLKG) by GC shall be coordinated prior to installation.

GC shall run conduit from the Data-H to Data-U for vitals connection to Epic at workstation, if present.

Space Design Guidelines - Basis of Design

Space: Exam Room	Department: Outpatient	Area: 115 SF
Drawing: Reflected Ceiling Plan	Drawing Scale: 3/8" = 1'-0"	Last Update: 12/20/2024



Space Narrative:

Fire and life safety elements will be designed and laid out per project requirements.

Typical 2x2 ACT ceiling.

UTSW Special Considerations:

Refer to UTSW Design Guidelines to confirm light fixture types appropriate per project.

Tracks shall be well supported above the ceiling.

Space Design Guidelines - Basis of Design

Space: Exam Room	Department: Outpatient	Area: 115 SF
Drawing: Component Schedule	Drawing Scale: NTS	Last Update: 12/20/2024

UTSW ID	Product / Manuf / Item	Qty	LF	Utilities								Furnish	Comments	
				1	2	3	4	5	6	7	8			
3723-028	Sharps Cabinet, Wall Mtd.	1		-	-	-	-	-	-	-	-	-	OFOI	
6260-0095	Mayo Stand	1		-	-	-	-	-	-	-	-	-	OFOI	
8794-025	Vitals, Wall Mtd., Welch Allyn	1		-	Y	-	-	-	-	Y	-	-	OFOI	
087100 DS	Door Stop	1		-	-	-	-	-	-	-	-	-	CFCI	
088313 6	Mirror, Float Glass, With SS Frame, 2' X 6'	1		-	-	-	-	-	-	-	-	-	CFCI	
102123 C	Curved Track, Surface Mounted, With Curtain	1	8'-7"	-	-	-	-	-	-	-	-	-	CFCI	IA specifies curtain look/finish
102813 CH	Hook, Garment, Double, SS, Surface Mounted	2		-	-	-	-	-	-	-	-	-	CFCI	
102813 PT	Dispenser, Paper Towel, SS, Surface Mounted	1		-	-	-	-	-	-	-	-	-	CFCI	*Confirm per contract/lease requirements
102813 SD	Dispenser, Soap, Disposable	1		-	-	-	-	-	-	-	-	-	CFCI	*Confirm per contract/lease requirements
102813HS	Dispenser, Hand Sanitizer, Wall Mtd.	1		-	-	-	-	-	-	-	-	-	CFCI	*Confirm per contract/lease requirements
121000	Artwork, Decorative, With Frame	1		-	-	-	-	-	-	-	-	-	OFOI	
125213 B	Chair, Bariatric, Side With Arms	1		-	-	-	-	-	-	-	-	-	OFOI	
125213 G	Guest Chair, Side With Arms	1		-	-	-	-	-	-	-	-	-	OFOI	
125213 SR	Stool, Rolling , Self Adjusting,	1		-	-	-	-	-	-	-	-	-	OFOI	
224216 L	Sink, bottom mount, solid surface	1		Y	-	-	-	-	-	-	-	-	CFCI	
265119 UC	Under cabinet lights, LED	1		-	Y	-	-	-	-	-	-	-	CFCI	
C-350229	IR Clinical Workstation	1		-	Y	-	-	-	-	Y	-	-	OFOI	
GLVDP	3 Box Glove Dispenser,	1		-	-	-	-	-	-	-	-	-	OFOI	
IR	Track and Bracket, Humanscale V612-0700-0000	1		-	-	-	-	-	-	-	-	-	OFOI	Install blocking behind track at least 4" above and below. Locate bottom of track 1" above backsplash.
RM-SGN	Room Sign, Per Standards	1		-	-	-	-	-	-	-	-	-	CFCI	Location confirmed by UTSW PM and UTSW sign shop
Step on Waste	Step on Waste	2		-	-	-	-	-	-	-	-	-	OFOI	

Utilities Key

- | | |
|-------------------------------------|----------------------------------|
| 1. Water / Drain - 1 sink and drain | 5. Non MedGas |
| 2. Electricity - Standard power | 6. Vacuum |
| 3. MedGas | 7. Data - Data and clinical data |
| 4. Misc Gas | 8. Misc. |

Furnish Key

- OFOI - Owner Furnished, Owner Installed
 OFVI - Owner Furnished, Vendor Installed
 OFCI - Owner Furnished, Contractor Installed
 CFCI - Contractor Furnished, Contractor Installed

Space Design Guidelines - Basis of Design

Space: Exam Room	Department: Outpatient	Area: 115 SF
Drawing: Data/Power Schedule	Drawing Scale: NTS	Last Update: 12/20/2024

Electrical Fixtures

USTW ID	Item	Qty.
P-2	Power - Duplex - 120 V	5

Data Fixtures

ID	Nomenclature	Qty
D-H	DATA - Qty 2, USB - Qty 1	1
D-U	USB - Qty 1	1

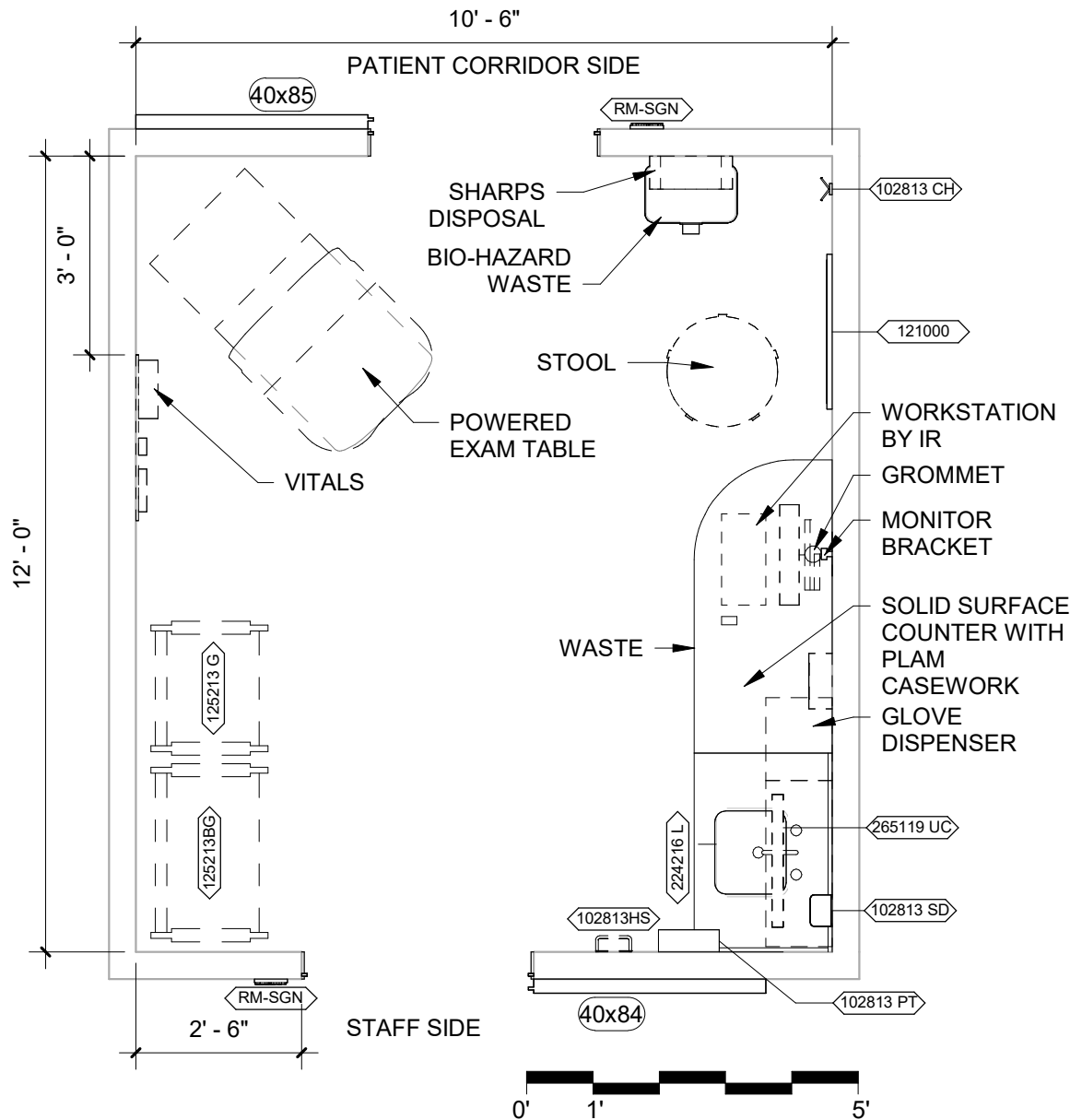
Space Design Guidelines - Basis of Design

Space:	Exam - Double Sided	Department:	Outpatient	Area:	126 SF
Drawing:	Room Isometric	Drawing Scale:	NTS	Last Update:	12/20/2024



Space Design Guidelines - Basis of Design

Space: Exam - Double Sided	Department: Outpatient	Area: 126 SF
Drawing: Floor Plan	Drawing Scale: 3/8" = 1'-0"	Last Update: 12/20/2024



Space Narrative:

Information provided shall be confirmed with UTSW PM.

Furnish assignments shall be confirmed by the UTSW PM. Entity furnishing paper towel and soap dispensers shall be confirmed per project location and lease requirements.

Dashed equipment is specified per project by UTSW

Items noted with symbol are shown on the Component Schedule

Location of sharps container shown in this guideline shall be reviewed and approved by HSA (Health Systems Affairs)

UTSW Special Considerations:

Flooring: LVT

Base: Rubber Base

Ceiling: 2x2 ACT

Walls: Paint

Casework: Plastic Laminate, extend upper casework to ceiling grid

Countertops: Solid Surface

Blocking (BLKG) by GC shall be coordinated prior to installation.

GC shall run conduit from the Data-H to Data-U for vitals connection to Epic at workstation, if present.

Sliding doors shall have STC ratings and seals appropriate for maintaining privacy in a patient area.

This room type requires a shared vitals area which includes scale, blood pressure, temperature, etc.

Space Design Guidelines - Basis of Design

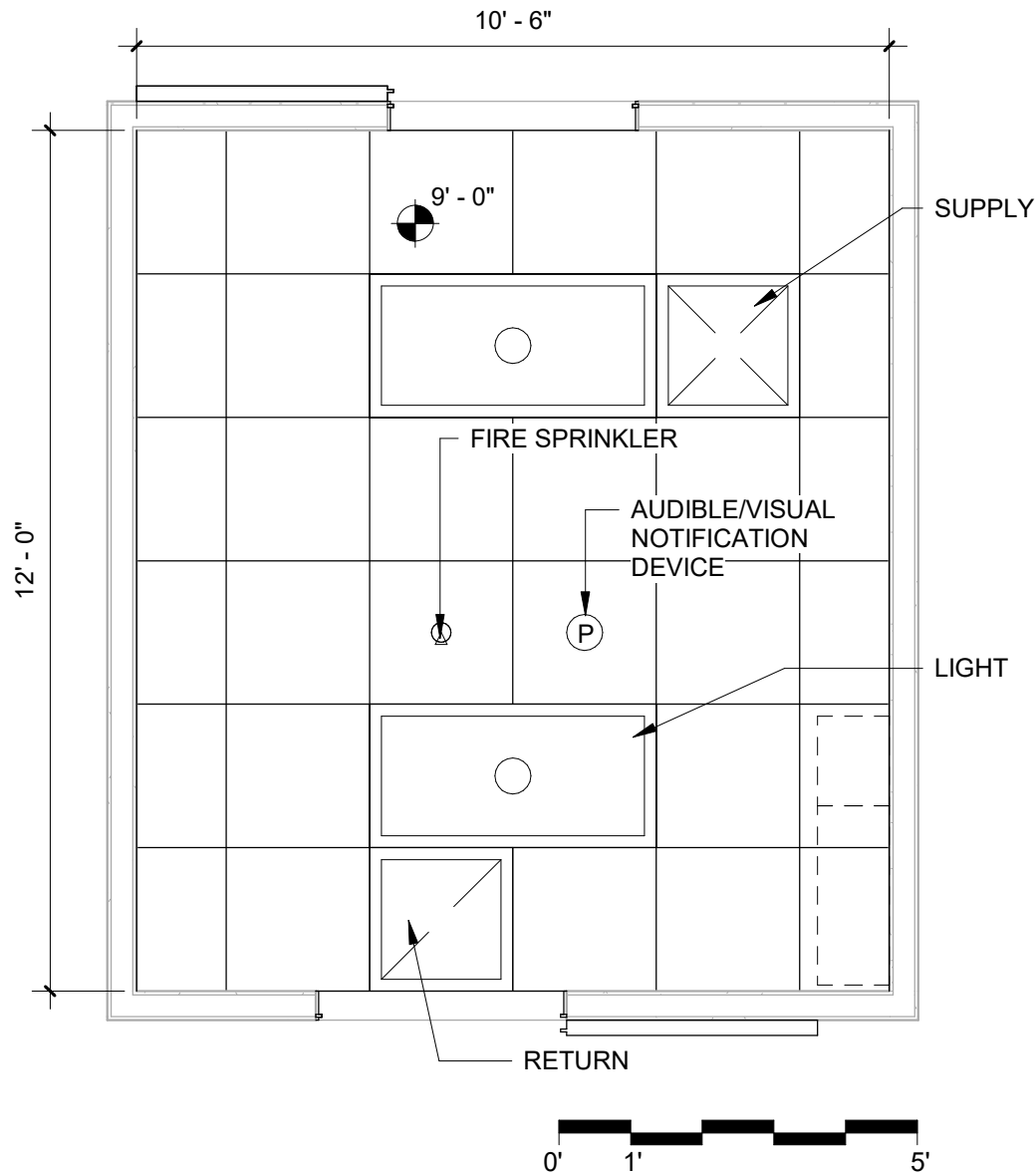
Space:	Exam - Double Sided	Department:	Outpatient	Area:	126 SF
Drawing:	Reflected Ceiling Plan	Drawing Scale:	3/8" = 1'-0"	Last Update:	12/20/2024

Space Narrative:

Fire and life safety elements will be designed and laid out per project requirements.
 Typical ACT ceiling. Confirm NRC requirements with UTSW PM.

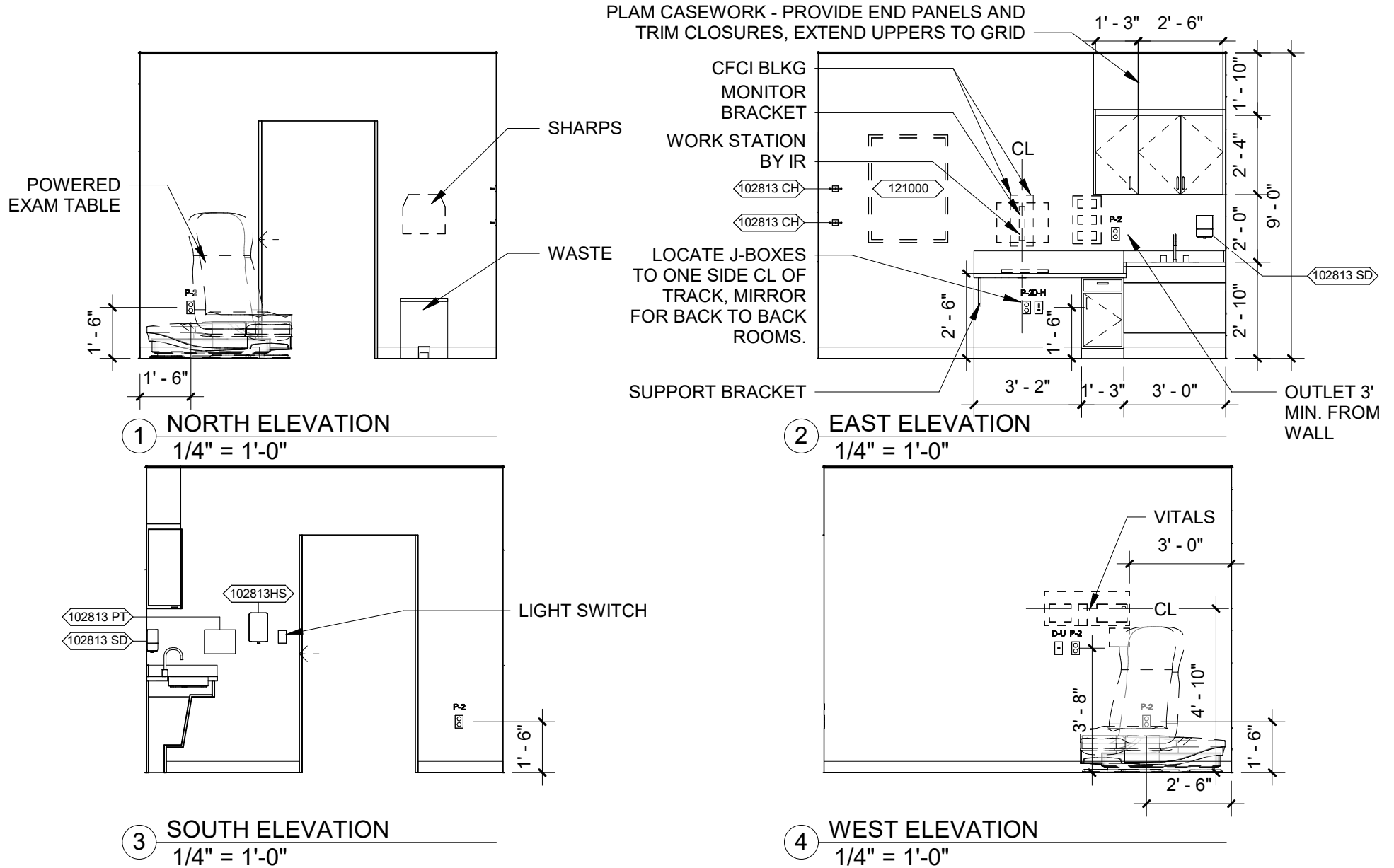
UTSW Special Considerations:

Refer to UTSW Design Guidelines to confirm light fixture types appropriate per project.
 Tracks shall be well supported above the ceiling.



Space Design Guidelines - Basis of Design

Space: Exam - Double Sided	Department: Outpatient	Area: 126 SF
Drawing: Elevations	Drawing Scale: 1/4" = 1'-0"	Last Update: 12/20/2024



Space Design Guidelines - Basis of Design

Space: Exam - Double Sided	Department: Outpatient	Area: 126 SF
Drawing: Component Schedule	Drawing Scale: NTS	Last Update: 12/20/2024

UTSW ID	Product / Manuf / Item	Qty	LF	Utilities								Furnish	Comments	
				1	2	3	4	5	6	7	8			
3723-028	Sharps Cabinet, Wall Mt	1		-	-	-	-	-	-	-	-	-	OFOI	
4688-028	Waste, Black, Fire Resistant	1		-	-	-	-	-	-	-	-	-	CFCI	
8794-025	Vitals, Wall Mtd., Welch Allyn	1		-	Y	-	-	-	-	-	Y	-	OFVI	
102813 CH	Hook, Garment, Double, SS, Surface Mounted	2		-	-	-	-	-	-	-	-	-	CFCI	
102813 PT	Dispenser, Paper Towel, SS, Surface Mounted	1		-	-	-	-	-	-	-	-	-	CFCI	*Confirm with contract/lease requirements
102813 SD	Dispenser, Soap, Disposable	1		-	-	-	-	-	-	-	-	-	CFCI	*Confirm with contract/lease requirements
102813HS	Dispenser, Hand Sanitizer, Wall Mtd.	1		-	-	-	-	-	-	-	-	-	CFCI	*Confirm with contract/lease requirements
121000	Artwork, Decorative, With Frame	1		-	-	-	-	-	-	-	-	-	OFOI	
125213 G	Guest Chair, Side With Arms	1		-	-	-	-	-	-	-	-	-	OFOI	
125213 SR	Stool, Rolling , Self Adjusting,	1		-	-	-	-	-	-	-	-	-	OFOI	
125213BG	Chair, Bariatric, Side With Arms	1		-	-	-	-	-	-	-	-	-	OFOI	
224216 L	Sink, bottom mount, solid surface	1		Y	-	-	-	-	-	-	-	-	CFCI	
265119 UC	Under cabinet lights, LED	1		-	Y	-	-	-	-	-	-	-	CFCI	
GLVDP	3 Box Glove Dispenser, Bowman, Plastic	1		-	-	-	-	-	-	-	-	-	OFOI	
IR	Track and Bracket, Humanscale V612-0700-0000	1		-	-	-	-	-	-	-	-	-	OFVI	Install blocking behind track at least 4" above and below. Locate bottom of track 1" above backsplash.
IR-WS	IR Clinical Workstation	1		-	Y	-	-	-	-	-	Y	-	OFOI	
RM-SGN	Room Sign, Per Standards	2		-	-	-	-	-	-	-	-	-	CFCI	Location confirmed by UTSW PM and UTSW sign shop
WASTE	Step on Waste	1		-	-	-	-	-	-	-	-	-	OFOI	

Utilities Key

- | | |
|---------------------------------|----------------------------------|
| 1. Water / Drain | 5. Non MedGas |
| 2. Electricity - Standard power | 6. Vacuum |
| 3. MedGas | 7. Data - Data and clinical data |
| 4. Misc Gas | 8. Misc. |

Furnish Key

- OFOI - Owner Furnished, Owner Installed
- OFVI - Owner Furnished, Vendor Installed
- OFCI - Owner Furnished, Contractor Installed
- CFCI - Contractor Furnished, Contractor Installed

Space Design Guidelines - Basis of Design

Space: Exam - Double Sided	Department: Outpatient	Area: 126 SF
Drawing: Data/Power Schedule	Drawing Scale: NTS	Last Update: 12/20/2024

Electrical Fixtures

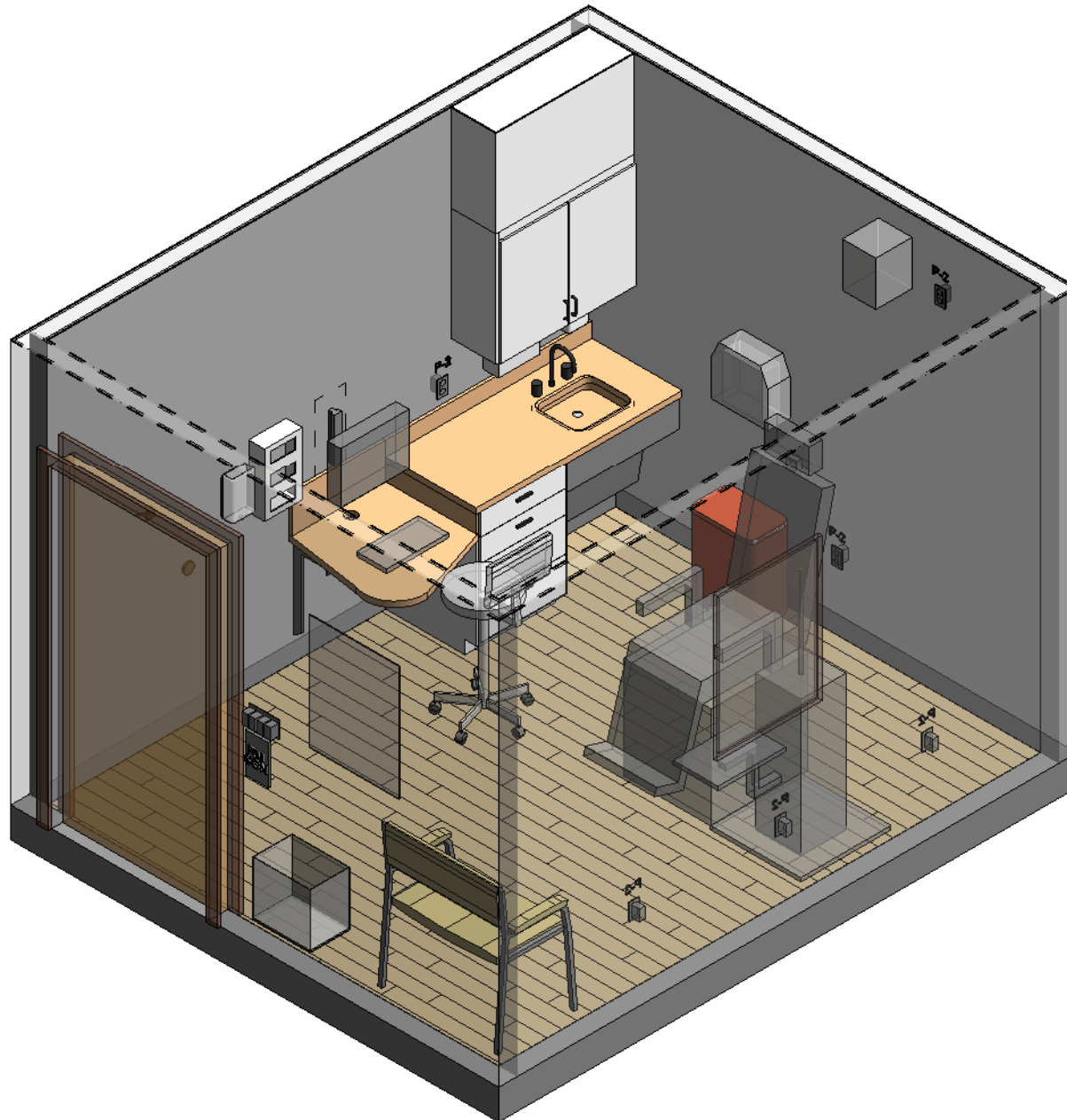
USTW ID	Item	Qty.
P-2	Power - Duplex - 120 V	6

Data Fixtures

ID	Nomenclature	Qty
D-H	DATA - Qty 2, USB - Qty 1	1
D-U	USB - Qty 1	1

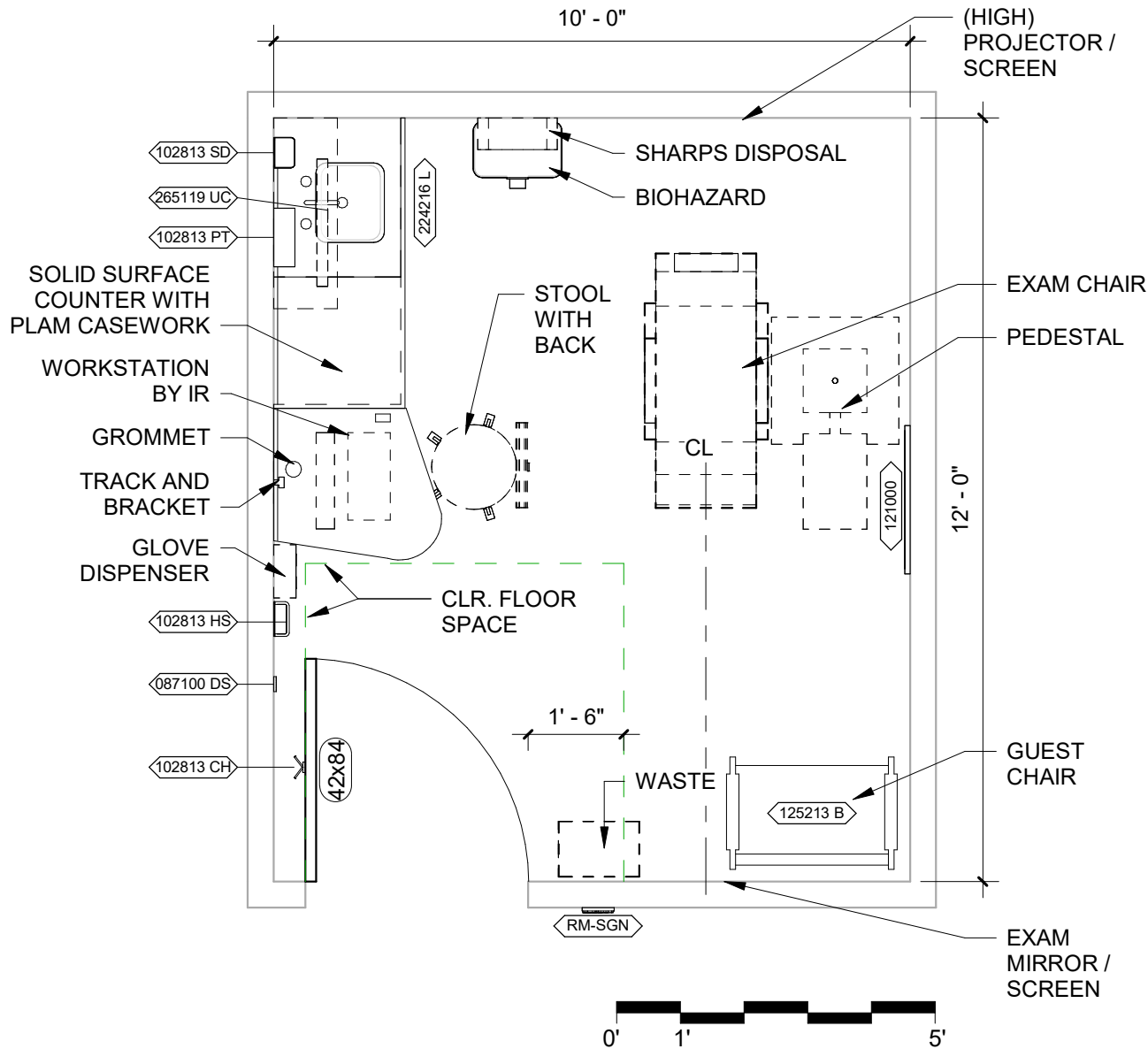
Space Design Guidelines - Basis of Design

Space:	Eye Lane (Ophthalmology, Optometry)	Department:	Outpatient	Area:	120 SF
Drawing:	Room Isometric	Drawing Scale:	NTS	Last Update:	12/20/2024



Space Design Guidelines - Basis of Design

Space: Eye Lane (Ophthalmology, Optometry)	Department: Outpatient	Area: 120 SF
Drawing: Floor Plan	Drawing Scale: 3/8" = 1'-0"	Last Update: 12/20/2024



Space Narrative:

Information provided shall be confirmed with UTSW PM.

Furnish assignments shall be confirmed by the UTSW PM. Entity furnishing paper towel and soap dispensers shall be confirmed per project location and lease requirements.

Dashed equipment is specified per project by UTSW

Items noted with symbol are shown on the Component Schedule

Location of sharps container shown in this guideline shall be reviewed and approved by HSA (Health Systems Affairs)

UTSW Special Considerations:

Flooring: LVT

Base: Rubber Base

Ceiling: ACT

Walls: Paint

Casework: Plastic Laminate, extend upper casework to ceiling grid. Special Sizing: Top drawers must provide a minimum of 3" in height and 21" in width. Confirm with users.

Countertops: Solid Surface

Blocking (BLKG) by GC shall be coordinated prior to installation.

GC shall run conduit from the Data-H to Data-U for vitals connection to Epic at workstation, if present.

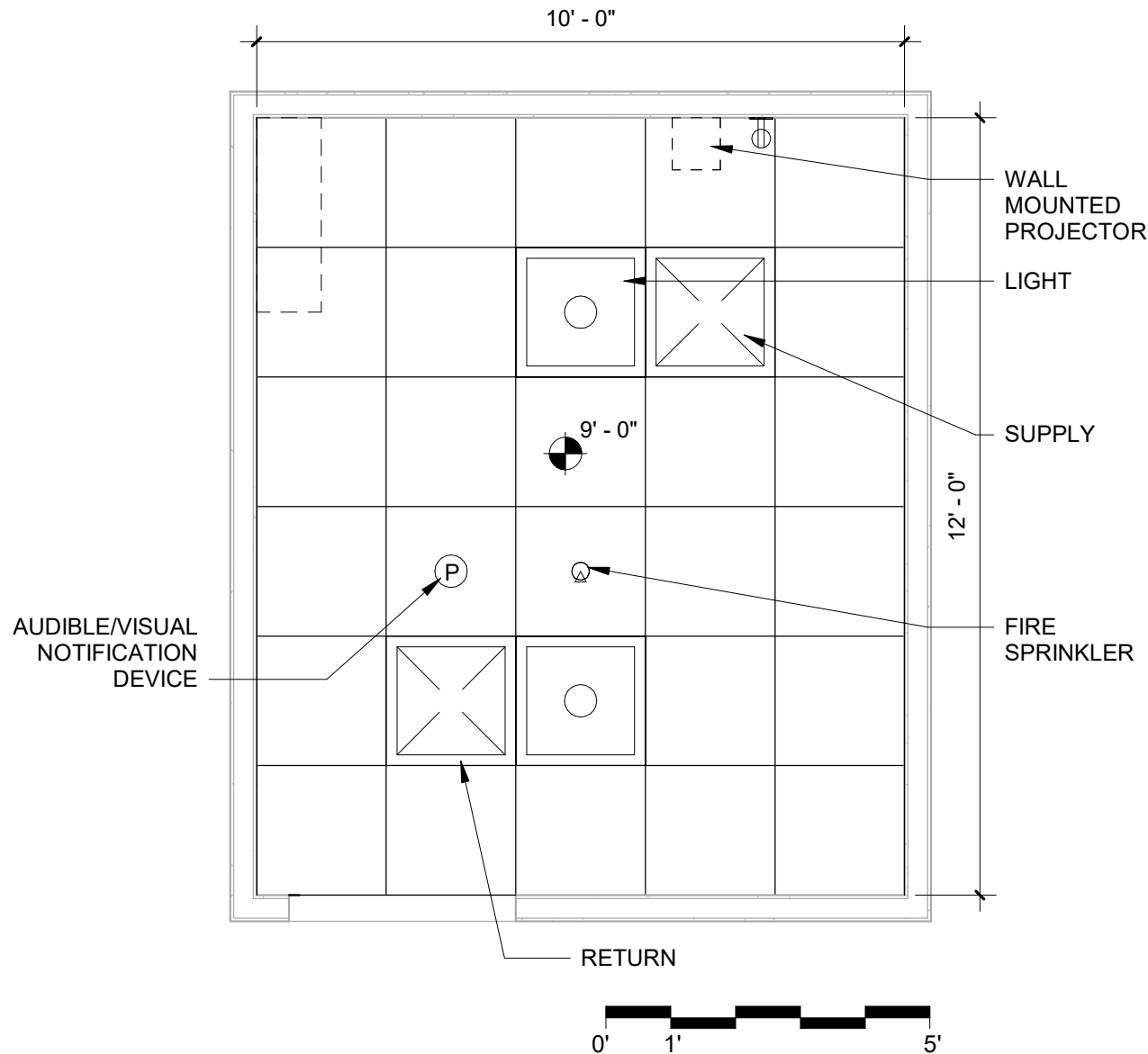
Power for exam chair and pedestal will be from the wall outlet.

Vendor providing projector and other equipment will need to confirm power and data requirements as well as locations per project. GC to provide all infrastructure including any back boxes and conduit for wired connections.

Provide black-out roller shades if windows are present.

Space Design Guidelines - Basis of Design

Space: Eye Lane (Ophthalmology, Optometry)	Department: Outpatient	Area: 120 SF
Drawing: Reflected Ceiling Plan	Drawing Scale: 3/8" = 1'-0"	Last Update: 12/20/2024



Space Narrative:

Fire and life safety elements will be designed and laid out per project requirements.

Typical ACT ceiling.

UTSW Special Considerations:

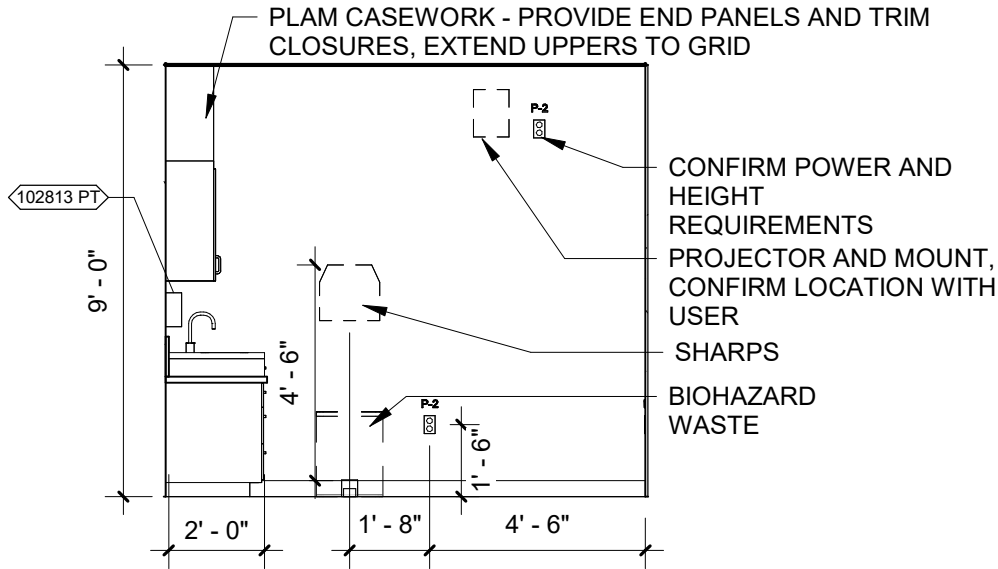
Refer to UTSW Design Guidelines to confirm light fixture types appropriate per project.

Light control system to be utilized for dimming. Light fixtures utilized must be dimmable and be able to interface with the controls system. Confirm with User and UTSW PM.

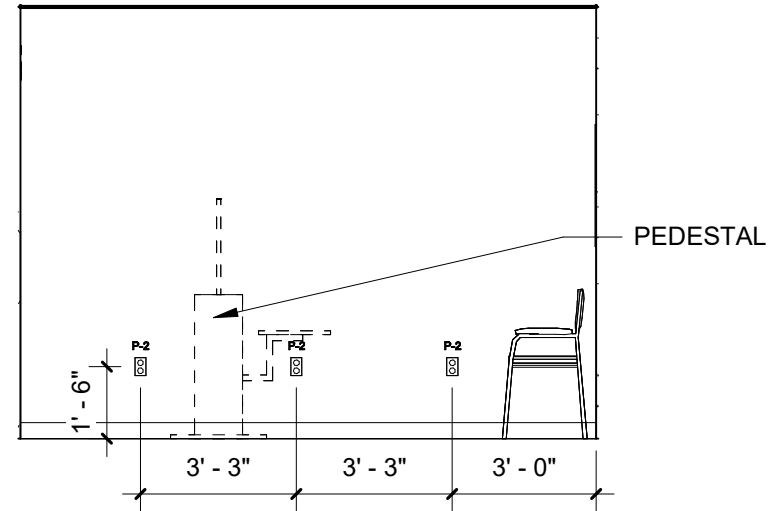
Coordinate wall and ceiling mounted equipment to ensure no conflict arises with other components.

Space Design Guidelines - Basis of Design

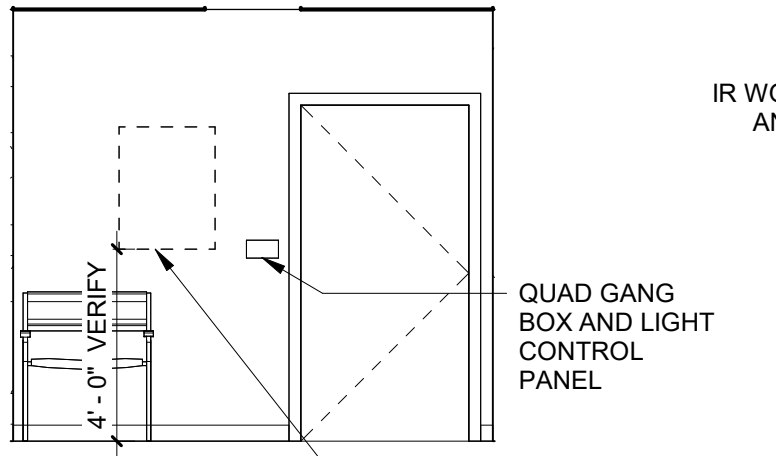
Space: Eye Lane (Ophthalmology, Optometry)	Department: Outpatient	Area: 120 SF
Drawing: Elevations	Drawing Scale: 1/4" = 1'-0"	Last Update: 12/20/2024



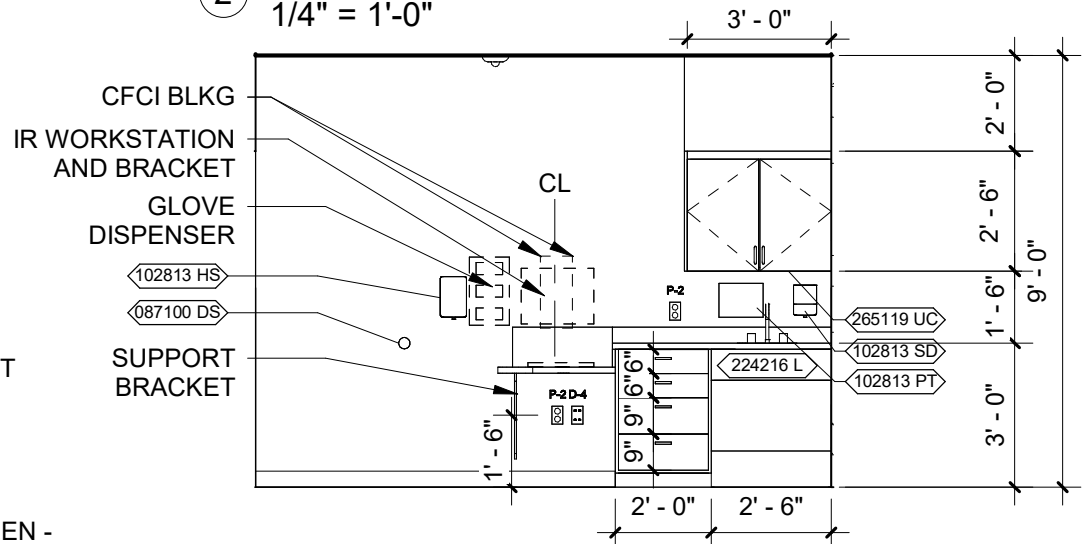
1 NORTH ELEVATION
 1/4" = 1'-0"



2 EAST ELEVATION
 1/4" = 1'-0"



3 SOUTH ELEVATION
 1/4" = 1'-0"



4 WEST ELEVATION
 1/4" = 1'-0"

Space Design Guidelines - Basis of Design

Space: Eye Lane (Ophthalmology, Optometry)	Department: Outpatient	Area: 120 SF
Drawing: Component Schedule	Drawing Scale: NTS	Last Update: 12/20/2024

UTSW ID	Product / Manuf / Item	Qty	LF	Utilities								Furnish	Comments
				1	2	3	4	5	6	7	8		
3723-028	Sharps Cabinet, Wall Mtd.	1		-	-	-	-	-	-	-	-	OFOI	
4688-028	Waste, Black, Fire Resistant	1		-	-	-	-	-	-	-	-	CFCI	
087100 DS	Door Stop	1		-	-	-	-	-	-	-	-	CFCI	
102813 CH	Hook, Garment, Double, SS, Surface Mounted	1		-	-	-	-	-	-	-	-	CFCI	
102813 HS	Dispenser, Hand Sanitizer, Wall Mtd	1		-	-	-	-	-	-	-	-	CFCI	*Confirm per contract/lease requirements
102813 PT	Dispenser, Paper Towel, SS, Surface Mounted	1		-	-	-	-	-	-	-	-	CFCI	*Confirm per contract/lease requirements
102813 SD	Dispenser, Soap, Disposable	1		-	-	-	-	-	-	-	-	CFCI	*Confirm per contract/lease requirements
121000	Artwork, Decorative, With Frame	1		-	-	-	-	-	-	-	-	OFOI	
125213 B	Chair, Bariatric, Side With Arms	1		-	-	-	-	-	-	-	-	OFOI	
224216 L	Sink, bottom mount, solid surface	1		Y	-	-	-	-	-	-	-	CFCI	
265119 UC	Under cabinet lights, LED	1		-	Y	-	-	-	-	-	-	CFCI	Local dimmer
A5080	Wall Mounted Projector	1		-	Y	-	-	-	-	Y	-	OFOI	
C-350229	IR Clinical Workstation	1		-	Y	-	-	-	-	Y	-	OFOI	
GLVDP	3 Box Glove Dispenser	1		-	-	-	-	-	-	-	-	OFOI	
IR	Track and Bracket, Humanscale	1		-	-	-	-	-	-	-	-	OFVI	Install blocking behind track at least 4" above and below. Locate bottom of track 1" above backsplash.
M5600	Motorized eye exam chair	2		-	Y	-	-	-	-	-	-	OFOI	
M8940	Stool, With Back	1		-	-	-	-	-	-	-	-	OFOI	
no	Screen	1		-	-	-	-	-	-	-	-	OFOI	
RM-SGN	Room Sign, Per Standards	1		-	-	-	-	-	-	-	-	CFCI	Location confirmed by UTSW PM and UTSW sign shop
WASTE	Step on Waste	1		-	-	-	-	-	-	-	-	OFOI	

Utilities Key

- | | |
|-------------------------------------|----------------------------------|
| 1. Water / Drain - 1 sink and drain | 5. Non MedGas |
| 2. Electricity - Standard power | 6. Vacuum |
| 3. MedGas | 7. Data - Data and clinical data |
| 4. Misc Gas | 8. Misc. |

Furnish Key

- OFOI - Owner Furnished, Owner Installed
- OFVI - Owner Furnished, Vendor Installed
- OFCI - Owner Furnished, Contractor Installed
- CFCI - Contractor Furnished, Contractor Installed

Space Design Guidelines - Basis of Design

Space: Eye Lane (Ophthalmology, Optometry)	Department: Outpatient	Area: 120 SF
Drawing: Data/Power Schedule	Drawing Scale: NTS	Last Update: 12/20/2024

Electrical Fixtures

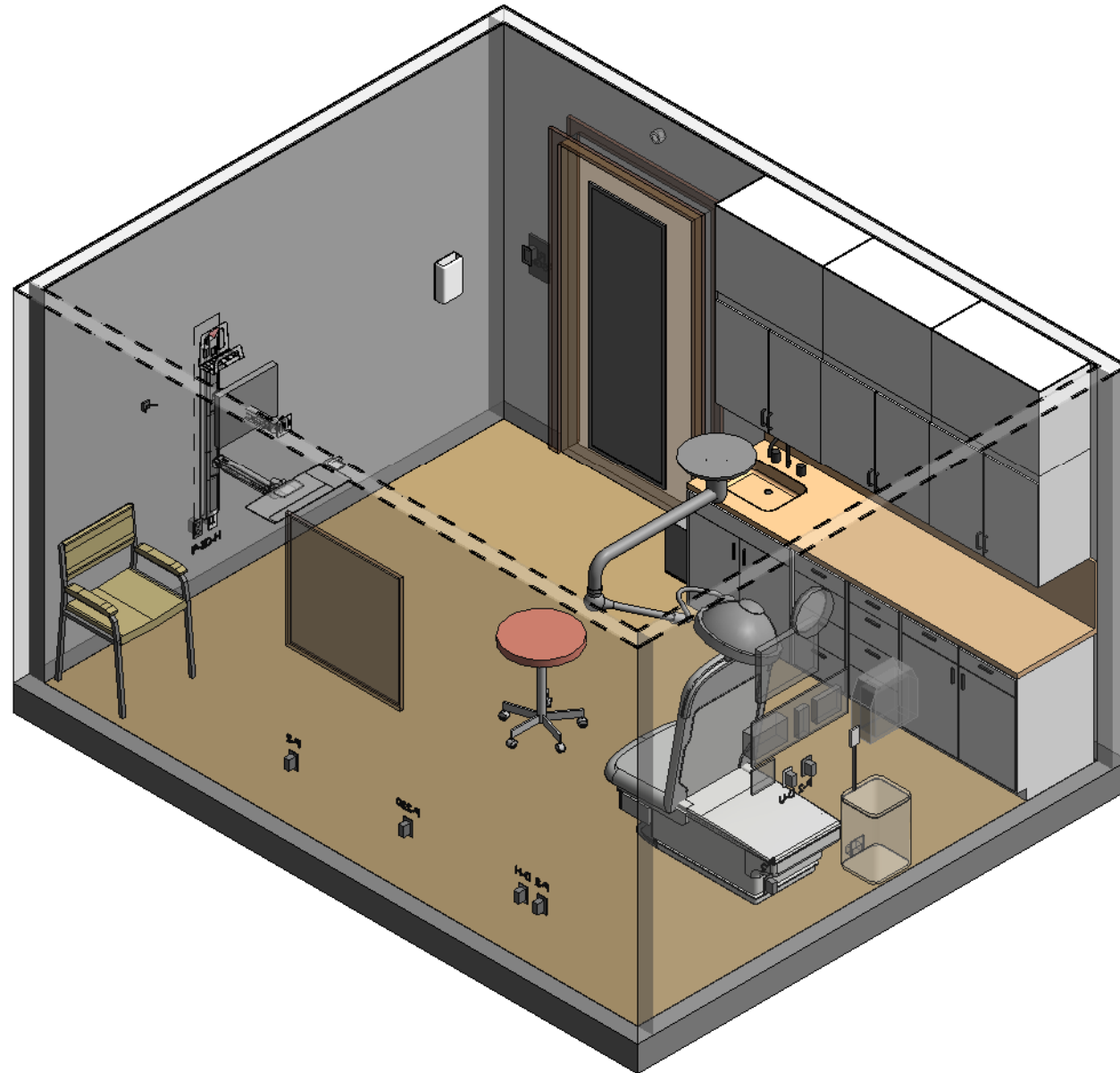
USTW ID	Item	Qty.
P-2	Power - Duplex - 120 V	8

Data Fixtures

ID	Nomenclature	Qty
D-4	Data - Qty 4	1

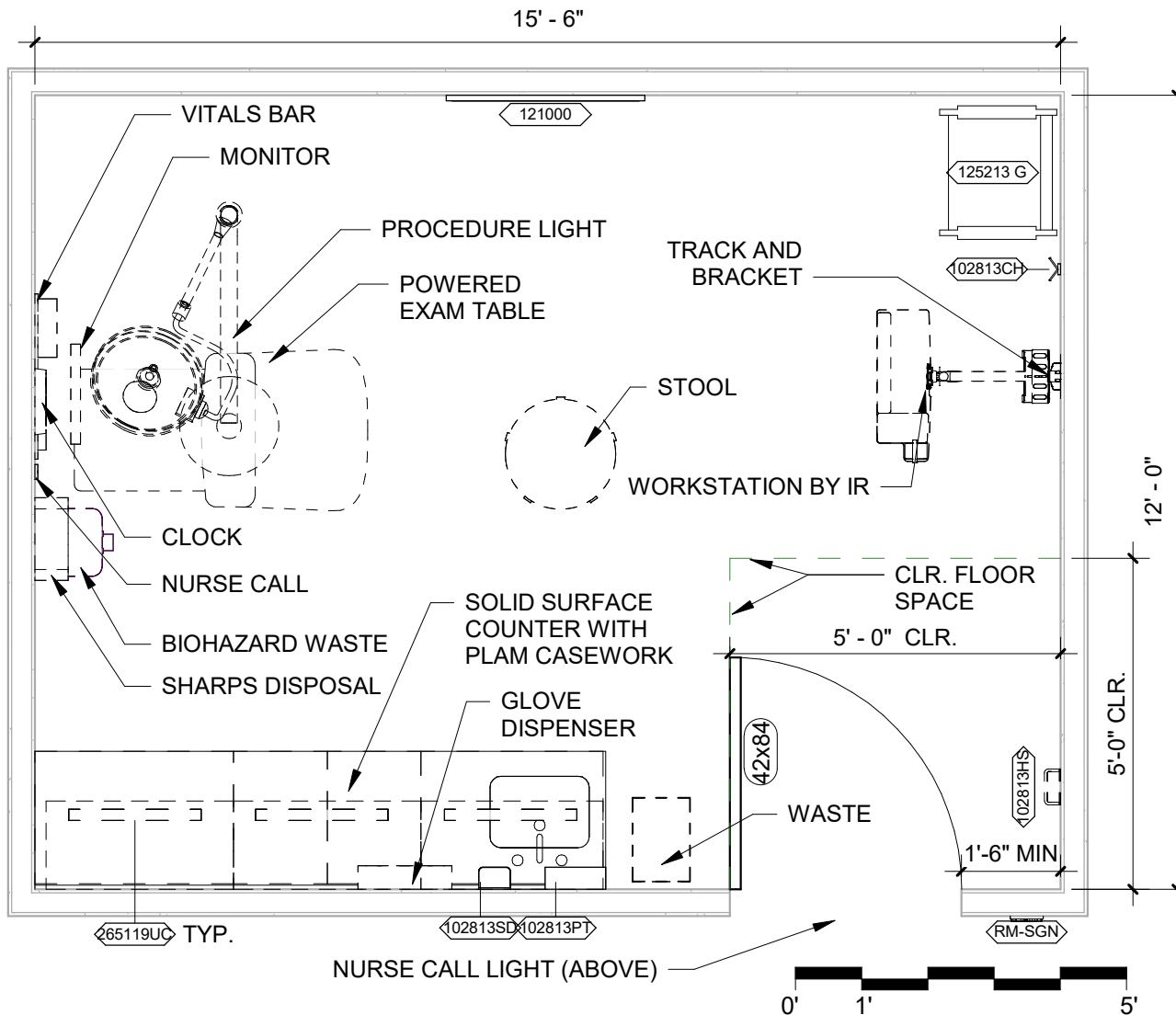
Space Design Guidelines - Basis of Design

Space: Procedure Room	Department: Outpatient	Area: 150 SF
Drawing: Room Isometric	Drawing Scale: NTS	Last Update: 12/20/2024



Space Design Guidelines - Basis of Design

Space: Procedure Room	Department: Outpatient	Area: 150 SF
Drawing: Floor Plan	Drawing Scale: 3/8" = 1'-0"	Last Update: 12/20/2024



Space Narrative:

Information provided shall be confirmed with UTSW PM.

Furnish assignments shall be confirmed by the UTSW PM. Entity furnishing paper towel and soap dispensers shall be confirmed per project location and lease requirements.

Dashed equipment is specified per project by UTSW

Items noted with symbol are shown on the Component Schedule

Location of sharps container shown in this guideline shall be reviewed and approved by HSA (Health Systems Affairs)

UTSW Special Considerations:

Flooring: Sheet Vinyl, welded seams

Base: Coved

Ceiling: 2x2 ACT

Walls: Paint

Casework: Plastic Laminate, extend upper casework to ceiling grid

Countertops: Solid Surface

Blocking (BLKG) by GC shall be coordinated prior to installation.

GC shall run conduit from the Data-H to Data-U for vitals connection to Epic at workstation, if present.

Unistrut support required for procedure light. Coordinate with UTSW PM for additional information.

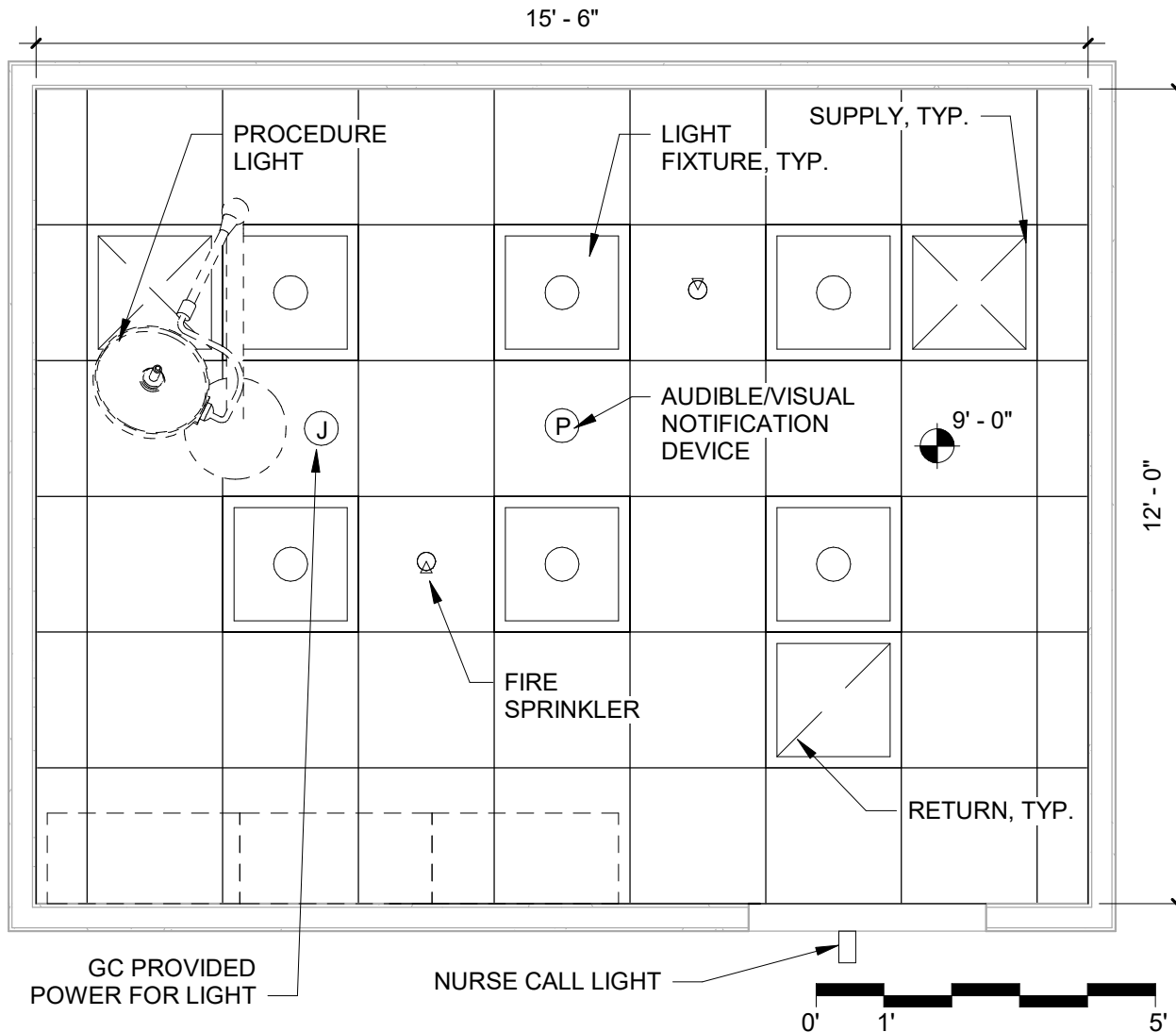
Space Design Guidelines - Basis of Design

Space: Procedure Room	Department: Outpatient	Area: 150 SF
Drawing: Reflected Ceiling Plan	Drawing Scale: 3/8" = 1'-0"	Last Update: 12/20/2024

Space Narrative:

Fire and life safety elements will be designed and laid out per project requirements.

Typical 2x2 ACT ceiling.



UTSW Special Considerations:

Refer to UTSW Design Guidelines to confirm light fixture types appropriate per project.

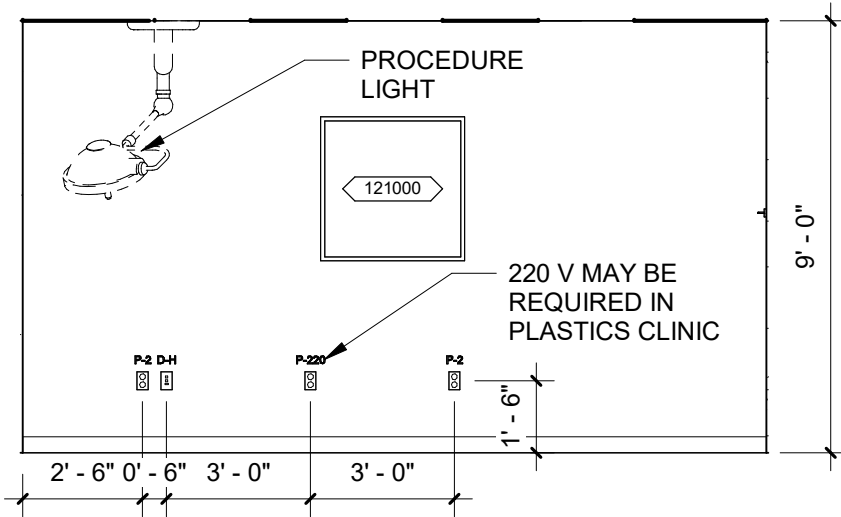
Junction box and power installed above the ceiling by GC to service procedure lights.

GC will install the light base to the provided structural support. UTSW's light vendor will install the light to the base.

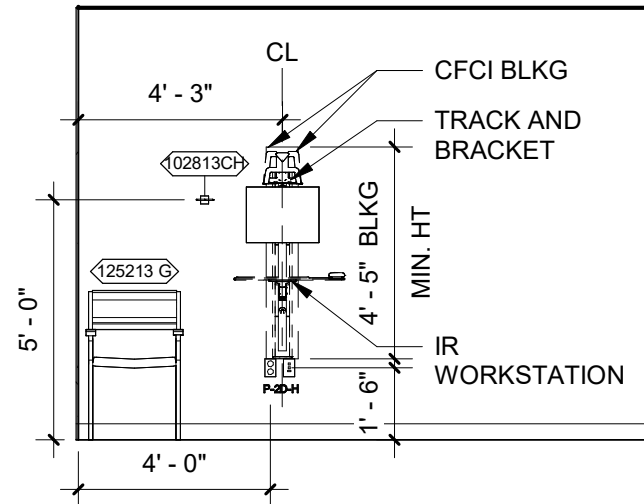
Procedure rooms for dermatology or plastics may require increased exhaust.

Space Design Guidelines - Basis of Design

Space: Procedure Room	Department: Outpatient	Area: 150 SF
Drawing: Elevations	Drawing Scale: 1/4" = 1'-0"	Last Update: 12/20/2024

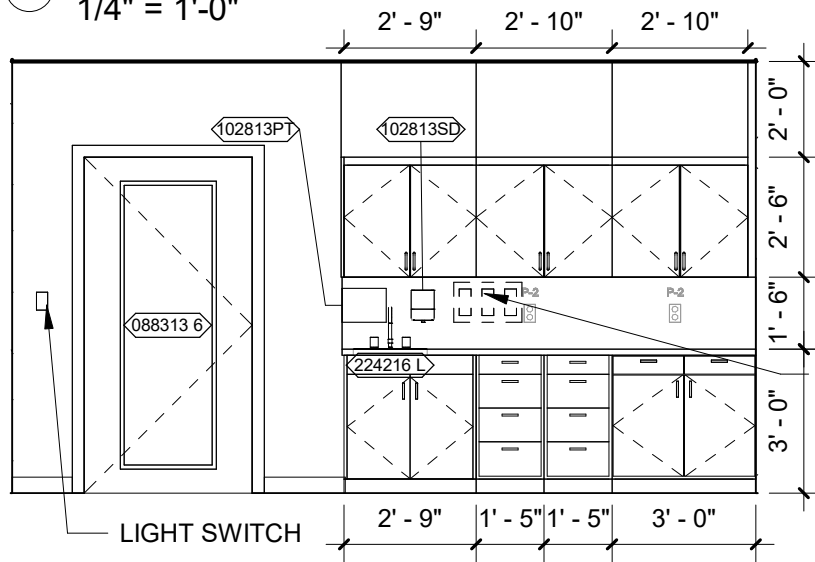


1 NORTH ELEVATION
 1/4" = 1'-0"

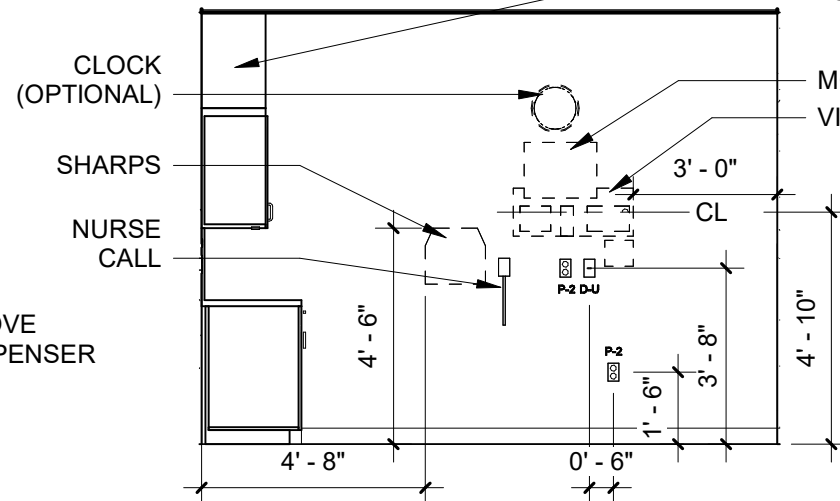


2 EAST ELEVATION
 1/4" = 1'-0"

PLM CASEWORK - PROVIDE END PANELS AND TRIM CLOSURES, EXTEND UPPERS TO GRID



3 SOUTH ELEVATION
 1/4" = 1'-0"



4 WEST ELEVATION
 1/4" = 1'-0"

Space Design Guidelines - Basis of Design

Space: Procedure Room	Department: Outpatient	Area: 150 SF
Drawing: Component Schedule	Drawing Scale: NTS	Last Update: 12/20/2024

UTSW ID	Product / Manuf / Item	Qty	LF	Utilities								Furnish	Comments	
				1	2	3	4	5	6	7	8			
3723-028	Sharps Cabinet, Wall Mtd.	1		-	-	-	-	-	-	-	-	-	OFOI	
3960-083	Light, Surg, Ceiling Mtd,	1		-	Y	-	-	-					OFCI (base) OFOI (light)	
4688-028	Waste, Black	1		-	-	-	-	-	-	-	-	-	CFCI	
6751-014	Powered Exam Chair	1		-	Y	-	-	-	-	-	-	-	OFOI	
8794-025	Vitals, Wall Mtd.,	1		-	Y	-	-	-	-	Y	-	-	OFOI	
088313 6	Mirror, Float Glass, With SS Frame, 2' X 6'	1		-	-	-	-	-	-	-	-	-	CFCI	Install on back of door
102813CH	Hook, Garment, Double, SS, Surface Mounted	1		-	-	-	-	-	-	-	-	-	CFCI	
102813HS	Dispenser, Hand Sanitizer, Wall Mtd.	1		-	-	-	-	-	-	-	-	-	CFCI	*Confirm per contract/lease requirements
102813PT	Dispenser, Paper Towel, SS, Surface Mounted	1		-	-	-	-	-	-	-	-	-	CFCI	*Confirm per contract/lease requirements
102813SD	Dispenser, Soap, Disposable	1		-	-	-	-	-	-	-	-	-	CFCI	*Confirm per contract/lease requirements
121000	Artwork, Decorative, With Frame	1		-	-	-	-	-	-	-	-	-	OFOI	
125213 G	Guest Chair, Side With Arms	1		-	-	-	-	-	-	-	-	-	OFOI	
125213 SR	Stool, Rolling , Self Adjusting,	1		-	-	-	-	-	-	-	-	-	OFOI	
224216 L	Sink, bottom mount, solid surface	1		Y	-	-	-	-	-	-	-	-	CFCI	
265119UC	Under cabinet lights, LED	3		-	Y	-	-	-	-	-	-	-	CFCI	
C-373115	Trash, Step-On	1		-	-	-	-	-	-	-	-	-	OFOI	
F3200	Clock, Battery, 12" Diameter	1		-	-	-	-	-	-	-	-	-	OFOI	
GLVDP	3 Box Glove Dispenser	1		-	-	-	-	-	-	-	-	-	OFOI	
IR-WSN	Track and Bracket, Humanscale	1		-	-	-	-	-	-	-	-	-	OFOI	Install blocking behind track starting at least 4" above and below track. Begin blocking 2" above junction boxes.
RM-SGN	Room Sign, Per Standards	1		-	-	-	-	-	-	-	-	-	CFCI	Location confirmed by UTSW PM and UTSW sign shop
RNCALL	Nurse Call Button	1		-	-	-	-	-	-	-	Y	-	CFCI	Includes light installed in hallway

Utilities Key

- | | |
|-------------------------------------|----------------------------------|
| 1. Water / Drain - 1 sink and drain | 5. Non MedGas |
| 2. Electricity - Standard power | 6. Vacuum |
| 3. MedGas | 7. Data - Data and clinical data |
| 4. Misc Gas | 8. Misc. |

Furnish Key

- OFOI - Owner Furnished, Owner Installed
 OFVI - Owner Furnished, Vendor Installed
 OFCI - Owner Furnished, Contractor Installed
 CFCI - Contractor Furnished, Contractor Installed

Space Design Guidelines - Basis of Design

Space: Procedure Room	Department: Outpatient	Area: 150 SF
Drawing: Data/Power Schedule	Drawing Scale: NTS	Last Update: 12/20/2024

Electrical Fixtures

USTW ID	Item	Qty.
J	Power - Junction box	1
P-2	Power - Duplex - 120 V	7
P-220	Power - Duplex - 220 V	1

Data Fixtures

UTSW ID	Item	Qty
D-H	Data - Qty 2, USB - Qty 1	2
D-U	USB - Qty 1	1

Space Design Guidelines - Basis of Design

Space: Procedure Room with Toilet	Department: Outpatient	Area: 289 SF
Drawing: Room Isometric	Drawing Scale: NTS	Last Update: 12/20/2024



Space Design Guidelines - Basis of Design

Space: Procedure Room with Toilet	Department: Outpatient	Area: 289 SF
Drawing: Space Notes	Drawing Scale: NTS	Last Update: 12/20/2024

Plan Space Narrative:

Information provided shall be confirmed with UTSW PM.

Furnish assignments shall be confirmed by the UTSW PM. Entity furnishing paper towel and soap dispensers shall be confirmed per project location and lease requirements.

Dashed equipment is specified per project by UTSW

Items noted with symbol are shown on the Component Schedule

Procedure rooms for dermatology or plastics may require increased exhaust.

Location of sharps container shown in this guideline shall be reviewed and approved by HSA (Health Systems Affairs)

UTSW Special Plan Considerations:

Flooring: PRO: Sheet Vinyl, welded seams TLT: Tile *Provide smooth flooring transition without lip or raised strip

Base: PRO: Coved TLT: Tile

Ceiling: PRO: 2x2 ACT TLT: Painted gypsum, epoxy paint

Walls: PRO: Paint TLT: Tile, Epoxy paint

Casework: PRO: Plastic Laminate, extend upper casework to ceiling grid

Countertops: PRO: Solid Surface

Blocking (BLKG) by GC shall be coordinated prior to installation.

GC shall run conduit from the Data-H to Data-U for vitals connection to Epic at workstation, if present.

Unistrut support required for procedure light. Coordinate with UTSW PM for additional information.

RCP Space Narrative:

Fire and life safety elements will be designed and laid out per project requirements.

Typical 2x2 ACT ceiling in procedure room with gypsum in toilet room.

UTSW Special RCP Considerations:

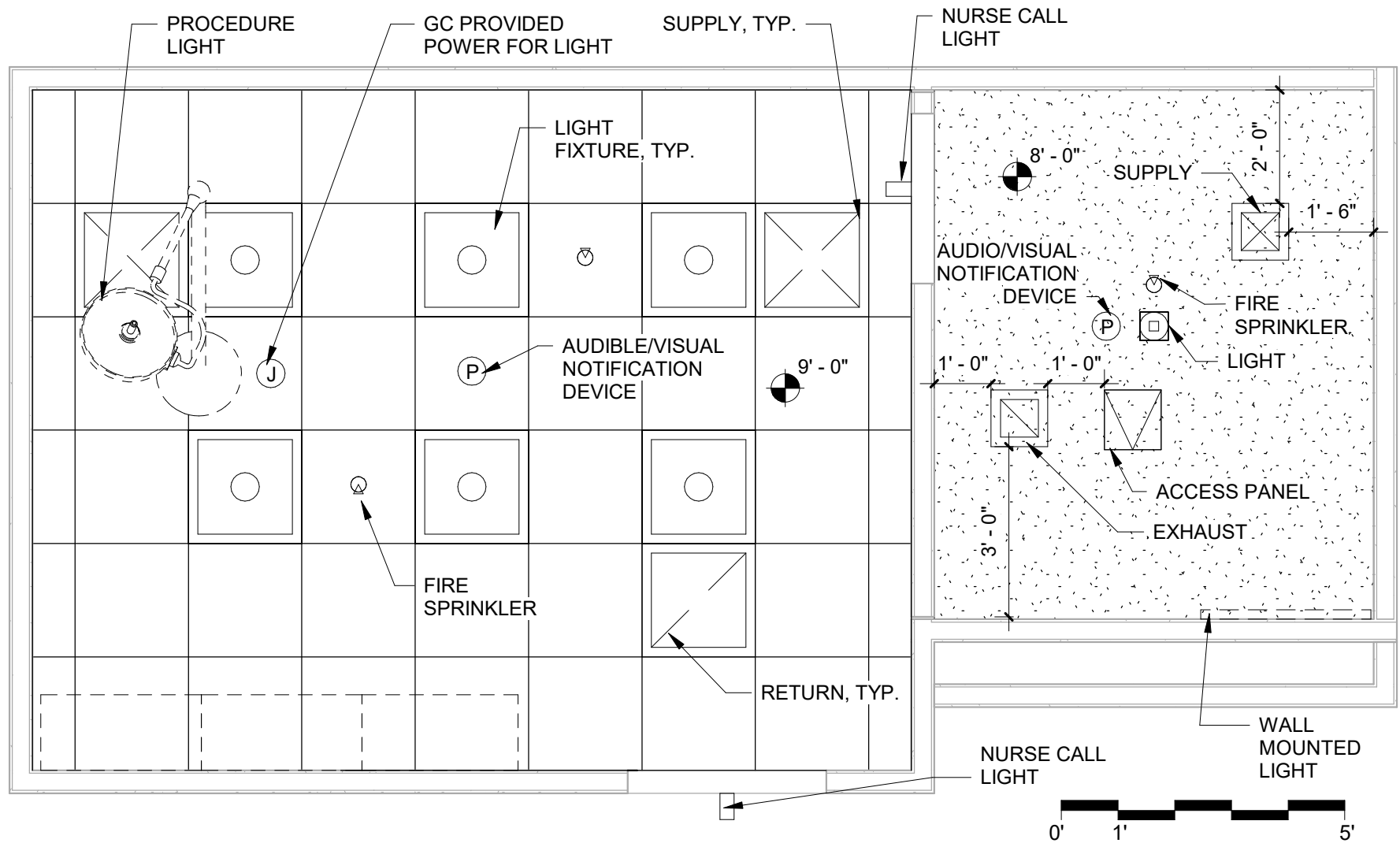
Refer to UTSW Design Guidelines to confirm light fixture types appropriate per project.

Junction box and power installed above the ceiling by GC to service procedure lights. GC will install light base to the provided structural support. UTSW's light vendor will install the light to the base.

Room light fixtures must be dimmable.

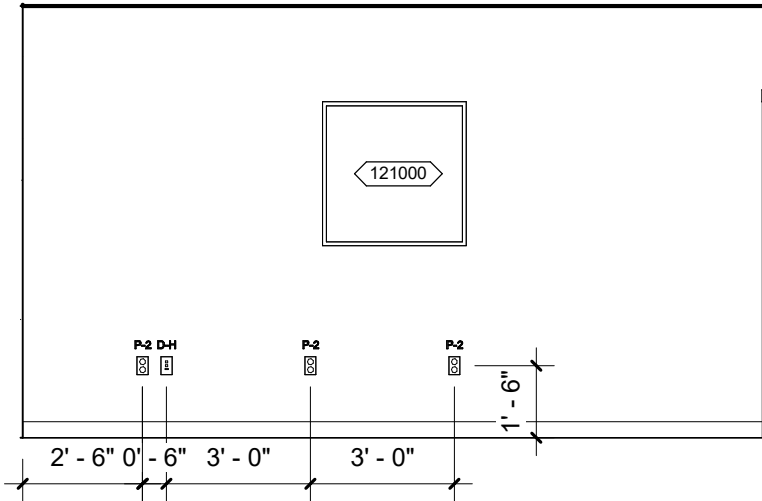
Space Design Guidelines - Basis of Design

Space: Procedure Room with Toilet	Department: Outpatient	Area: 289 SF
Drawing: Reflected Ceiling Plan	Drawing Scale: 3/8" = 1'-0"	Last Update: 12/20/2024

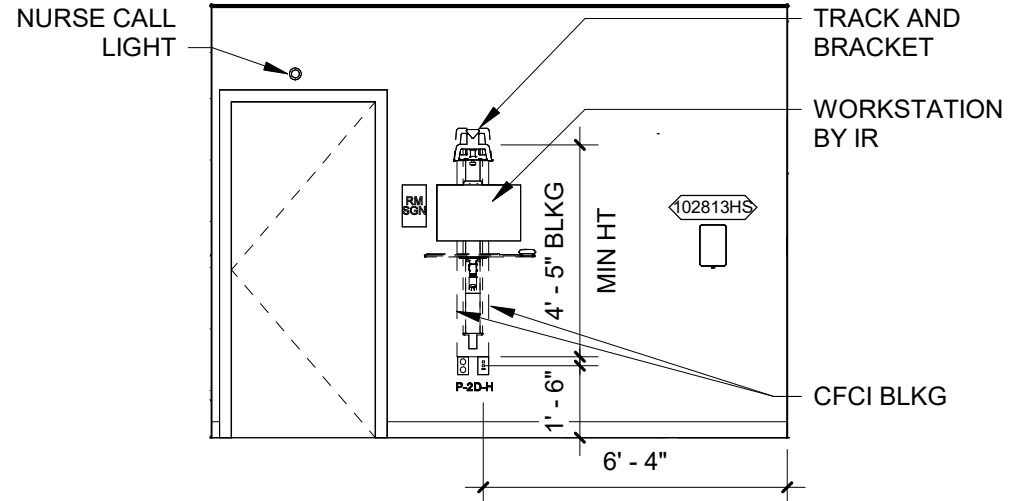


Space Design Guidelines - Basis of Design

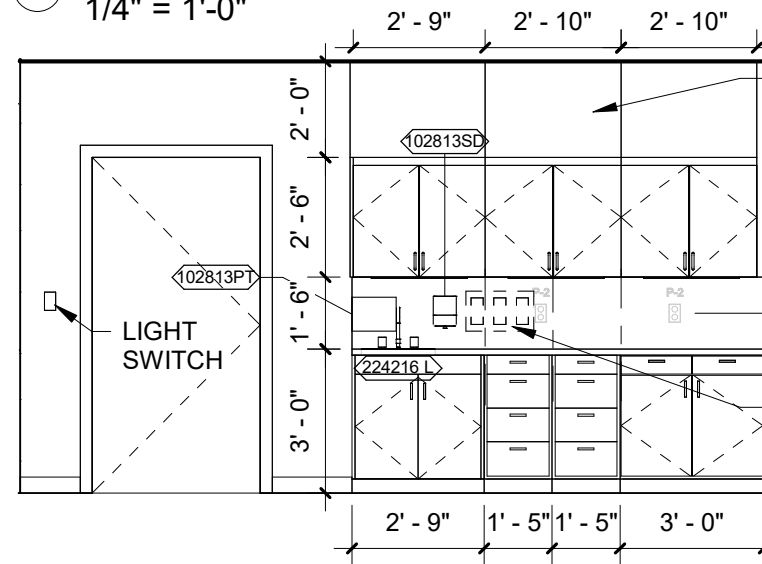
Space: Procedure Room with Toilet	Department: Outpatient	Area: 289 SF
Drawing: Elevations	Drawing Scale: 1/4" = 1'-0"	Last Update: 12/20/2024



1 NORTH ELEVATION
 1/4" = 1'-0"



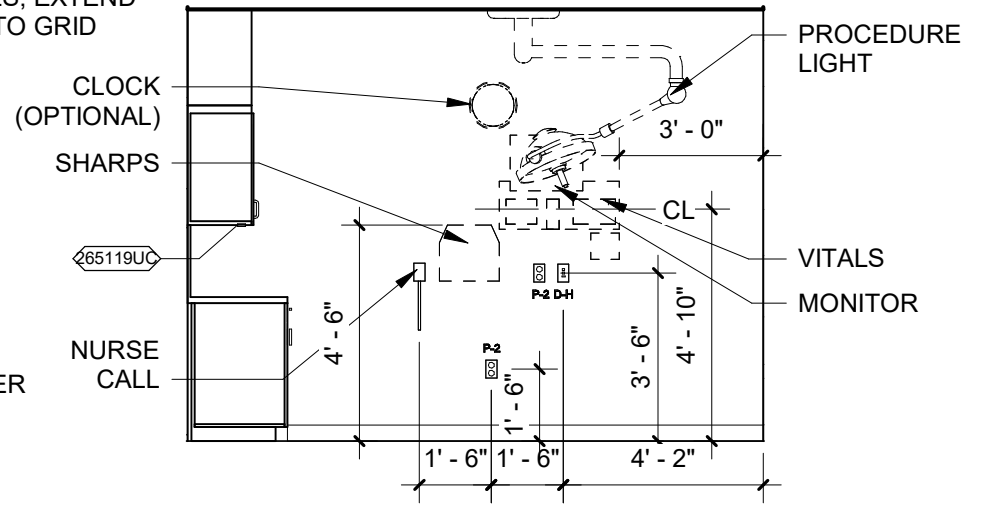
2 EAST ELEVATION
 1/4" = 1'-0"



3 SOUTH ELEVATION
 1/4" = 1'-0"

PLAM CASEWORK -
 PROVIDE END
 PANELS AND TRIM
 CLOSURES, EXTEND
 UPPERS TO GRID

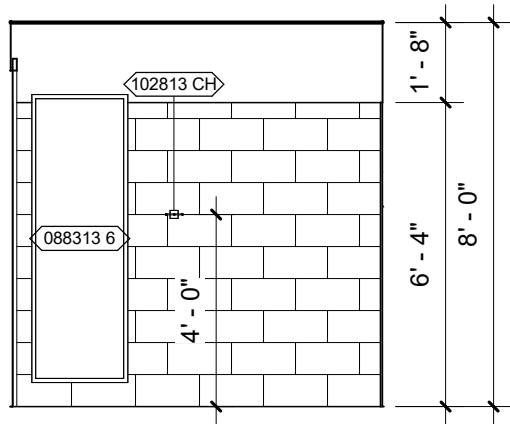
GLOVE
 DISPENSER



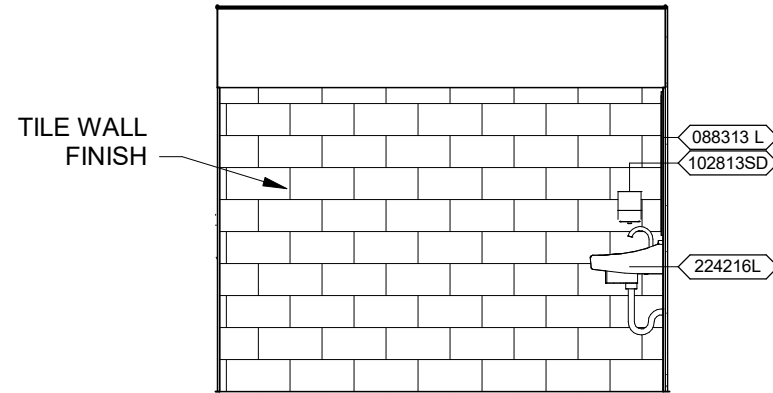
4 WEST ELEVATION
 1/4" = 1'-0"

Space Design Guidelines - Basis of Design

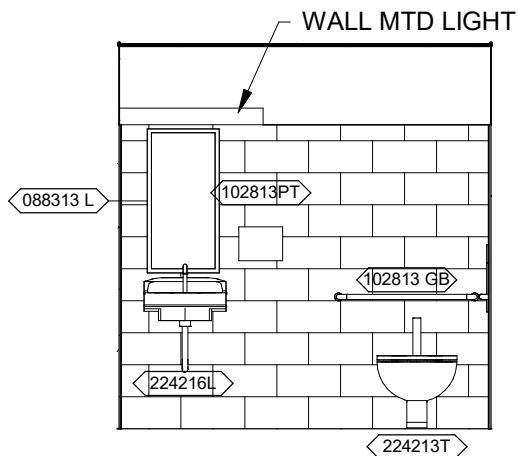
Space: Procedure Room with Toilet	Department: Outpatient	Area: 289 SF
Drawing: Toilet Elevations	Drawing Scale: 1/4" = 1'-0"	Last Update: 12/20/2024



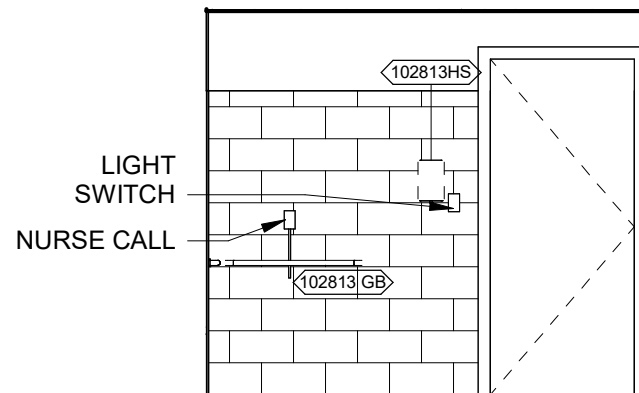
① **TOILET NORTH ELEVATION**
 1/4" = 1'-0"



② **TOILET EAST ELEVATION**
 1/4" = 1'-0"



③ **TOILET SOUTH ELEVATION**
 1/4" = 1'-0"



④ **TOILET WEST ELEVATION**
 1/4" = 1'-0"

Space Design Guidelines - Basis of Design

Space: Procedure Room with Toilet	Department: Outpatient	Area: 289 SF
Drawing: Component Schedule - Part 1	Drawing Scale: NTS	Last Update: 12/20/2024

UTSW ID	Product / Manuf / Item	Qty	LF	Utilities								Furnish	Comments	
				1	2	3	4	5	6	7	8			
3723-028	Sharps Cabinet, Wall Mtd.	1		-	-	-	-	-	-	-	-	-	OFOI	
3960-083	Light, Surg, Ceiling Mtd,	1		-	Y	-	-	-					OFCI (base) OFOI (light)	
6751-014	Powered Exam Chair	1		-	Y	-	-	-	-	-	-	-	OFVI	
8794-025	Vitals, Wall Mtd	1		-	Y	-	-	-	-	Y	-	-	OFVI	
088313 6	Mirror, Float Glass, With SS Frame, 2' X 6'	1		-	-	-	-	-	-	-	-	-	CFCI	
088313 L	Mirror, Float Glass, With SS Frame	1		-	-	-	-	-					CFCI	
102813 CH	Hook, Garment, Double, SS, Surface Mounted	1		-	-	-	-	-	-	-	-	-	CFCI	
102813 GB	Grab Bar, 1-1/4" Dia., SS, 2 Wall, W/C Accessible	2		-	-	-	-	-					CFCI	
102813HS	Dispenser, Hand Sanitizer, Wall Mtd.	2		-	-	-	-	-	-	-	-	-	CFCI	*Confirm per contract/lease requirements
102813PT	Dispenser, Paper Towel, SS, Surface Mounted	3		-	-	-	-	-	-	-	-	-	CFCI	*Confirm per contract/lease requirements
102813SD	Dispenser, Soap, Disposable	3		-	-	-	-	-	-	-	-	-	CFCI	*Confirm per contract/lease requirements
121000	Artwork, Decorative, With Frame	1		-	-	-	-	-	-	-	-	-	OFOI	
125213 B	Chair, Bariatric, Side With Arms	1		-	-	-	-	-	-	-	-	-	OFOI	
125213 SR	Stool, Rolling , Self Adjusting,	1		-	-	-	-	-	-	-	-	-	OFOI	
224213T	Toilet, Vitreous China, Slab Type	1		Y	-	-	-	-	-	-	-	-	CFCI	
224216 L	Sink, bottom mount, solid surface	1		Y	-	-	-	-	-	-	-	-	CFCI	
224216L	Lavatory, Vitreous China, Slab Type	1		Y	-	-	-	-	-	-	-	-	CFCI	Includes pipe insulation
265119UC	Under cabinet lights, LED	3		-	Y	-	-	-	-	-	-	-	CFCI	
F3200	Clock,	1		-	-	-	-	-	-	-	-	-	OFOI	
GLVDP	3 Box Glove Dispenser	1		-	-	-	-	-	-	-	-	-	OFOI	

Utilities Key

- | | |
|-------------------------------------|----------------------------------|
| 1. Water / Drain - 1 sink and drain | 5. Non MedGas |
| 2. Electricity - Standard power | 6. Vacuum |
| 3. MedGas | 7. Data - Data and clinical data |
| 4. Misc Gas | 8. Misc. |

Furnish Key

- OFOI - Owner Furnished, Owner Installed
 OFVI - Owner Furnished, Vendor Installed
 OFCI - Owner Furnished, Contractor Installed
 CFCI - Contractor Furnished, Contractor Installed

Space Design Guidelines - Basis of Design

Space: Procedure Room with Toilet	Department: Outpatient	Area: 289 SF
Drawing: Component Schedule - Part 2	Drawing Scale: NTS	Last Update: 12/20/2024

UTSW ID	Product / Manuf / Item	Qty	LF	Utilities								Furnish	Comments	
				1	2	3	4	5	6	7	8			
IR	Track and Bracket, Humanscale V647	1		-	-	-	-	-	-	-	-	-	OFOI	Install blocking behind track starting at least 4" above and below track. Begin blocking 2" above junction boxes.
IR - MNT	IR - Monitor	2		-	Y	-	-	-	-	-	Y	-	OFOI	
IR - WKSN	Clinical Workstation	1		-	Y	-	-	-	-	-	Y	-	OFOI	
RM-SGN	Room Sign, Per Standards	2		-	-	-	-	-	-	-	-	-	CFCI	Location confirmed by UTSW PM and UTSW sign shop
RNCALL	Nurse Call Button	2		-	-	-	-	-	-	-	-	Y	CFCI	*Hospital based only. Includes light fixture in hallway

Utilities Key

- | | |
|-------------------------------------|----------------------------------|
| 1. Water / Drain - 1 sink and drain | 5. Non MedGas |
| 2. Electricity - Standard power | 6. Vacuum |
| 3. MedGas | 7. Data - Data and clinical data |
| 4. Misc Gas | 8. Misc. |

Furnish Key

- OFOI - Owner Furnished, Owner Installed
- OFVI - Owner Furnished, Vendor Installed
- OFCI - Owner Furnished, Contractor Installed
- CFCI - Contractor Furnished, Contractor Installed

Space Design Guidelines - Basis of Design

Space: Procedure Room with Toilet	Department: Outpatient	Area: 289 SF
Drawing: Data/Power Schedule	Drawing Scale: NTS	Last Update: 12/20/2024

Electrical Fixtures

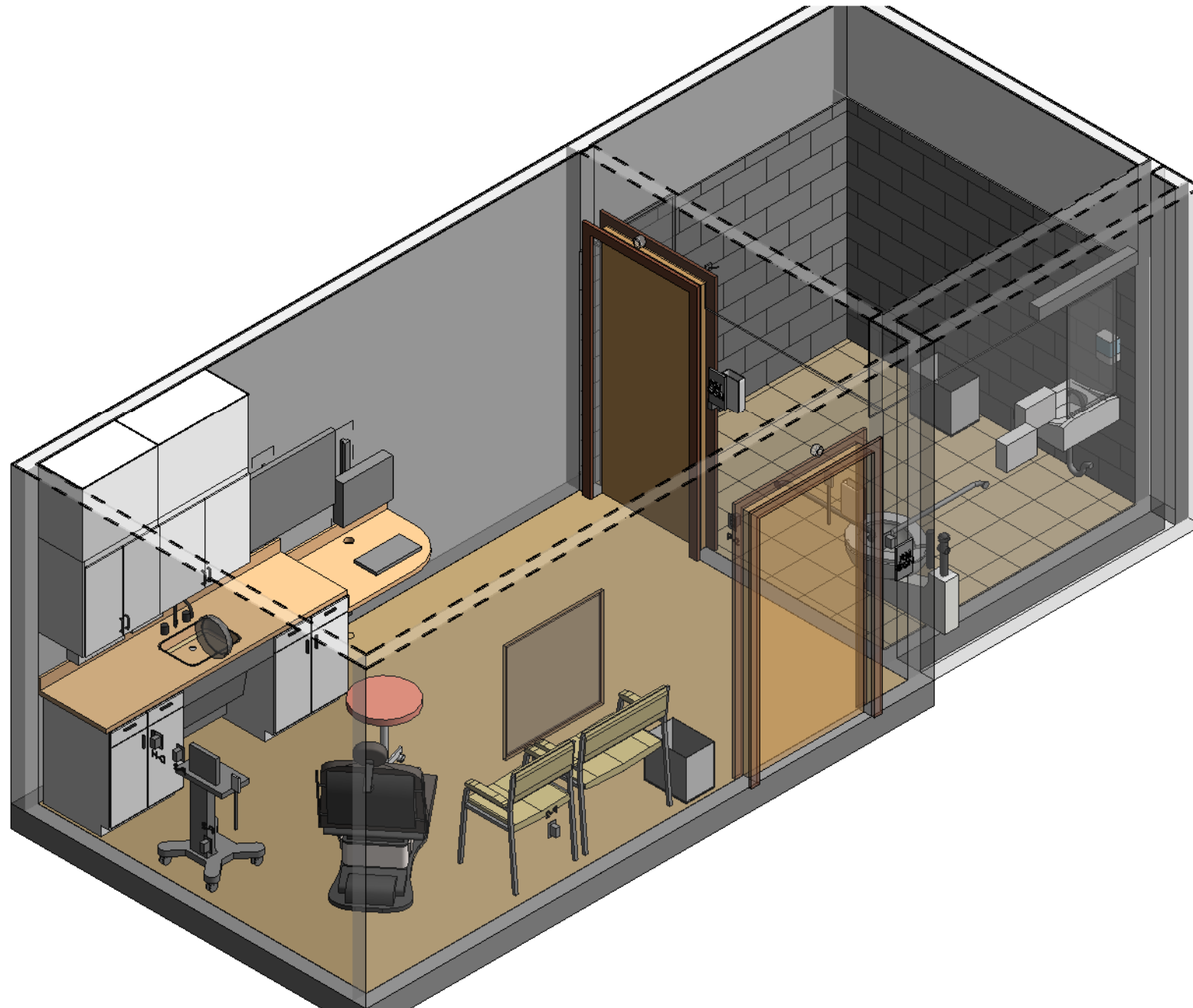
USTW ID	Item	Qty.
J	Power - Junction box	1
P-2	Power - Duplex - 120 V	8

Data Fixtures

UTSW ID	Item	Qty
D-H	Data - Qty 2, USB - Qty 1	2
D-U	USB - Qty 1	1

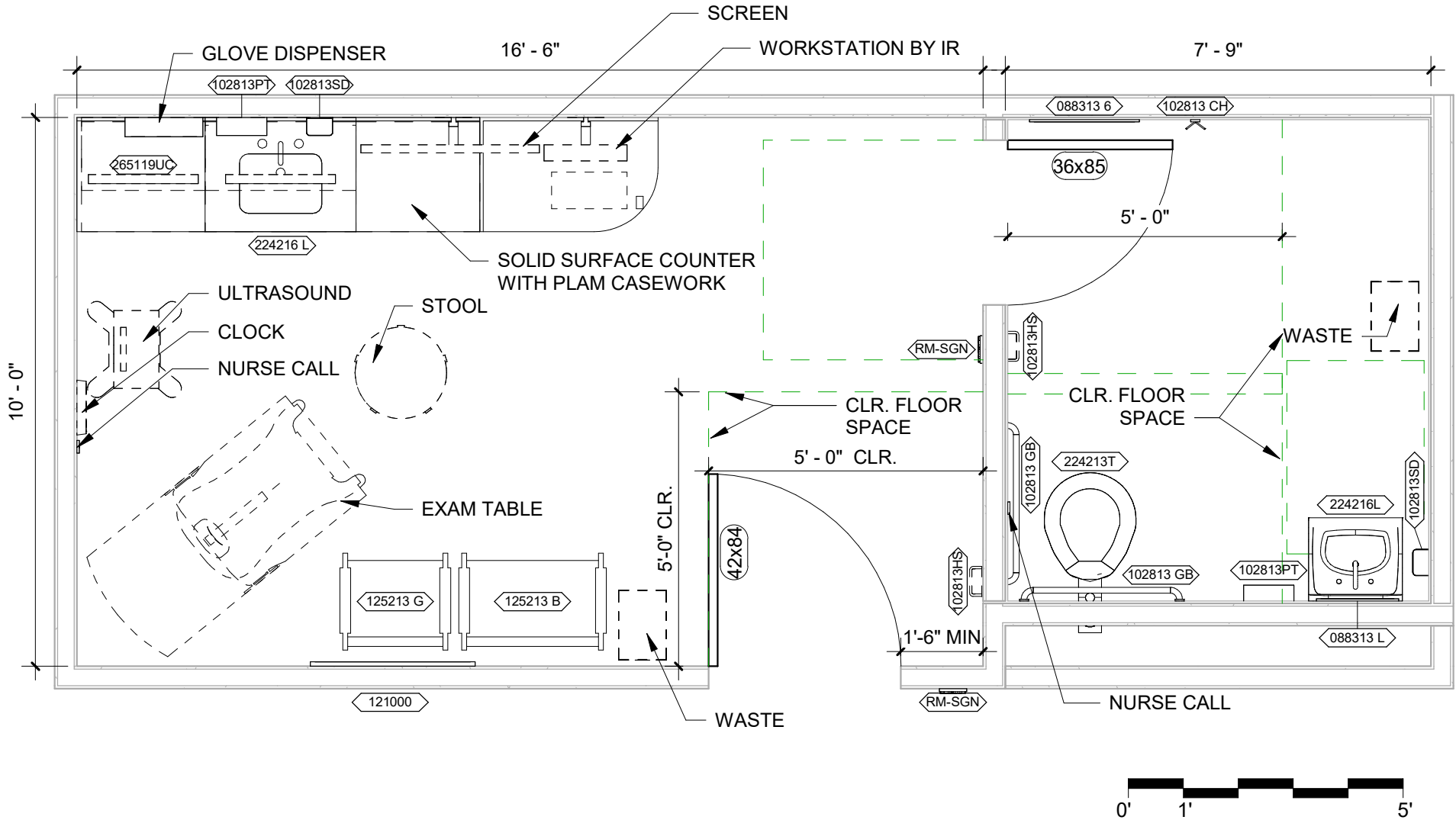
Space Design Guidelines - Basis of Design

Space: Ultrasound/Sonogram (OBGYN, Maternal Fetal Med)	Department: Outpatient	Area: 233 SF
Drawing: Room Isometric	Drawing Scale: NTS	Last Update: 12/20/2024



Space Design Guidelines - Basis of Design

Space: Ultrasound/Sonogram (OBGYN, Maternal Fetal Med)	Department: Outpatient	Area: 233 SF
Drawing: Floor Plan	Drawing Scale: 3/8" = 1'-0"	Last Update: 12/20/2024



Space Design Guidelines - Basis of Design

Space: Ultrasound/Sonogram (OBGYN, Maternal Fetal Med)	Department: Outpatient	Area: 233 SF
Drawing: Space Notes	Drawing Scale: NTS	Last Update: 12/20/2024

Plan Space Narrative:

Information provided shall be confirmed with UTSW PM.

Furnish assignments shall be confirmed by the UTSW PM. Entity furnishing paper towel and soap dispensers shall be confirmed per project location and lease requirements.

Dashed equipment is specified per project by UTSW

Items noted with symbol are shown on the Component Schedule

Toilet may not be incorporated into all planned spaces. Confirm with UTSW PM.

UTSW Special Plan Considerations:

Flooring: LVT TL: Tile *Provide smooth flooring transition without lip or raised strip

Base: Rubber Base TL: Tile

Ceiling: 2x2 ACT TL: Gypsum, epoxy paint

Walls: Paint TL: Tile, Epoxy paint

Casework: Plastic Laminate, extend upper casework to ceiling grid.

Countertops: Solid Surface

Blocking (BLKG) by GC shall be coordinated prior to installation.

GC shall run conduit from the Data-H to Data-U for vitals connection to Epic at workstation, if present.

Provide black-out roller shades if windows are present.

RCP Space Narrative:

Fire and life safety elements will be designed and laid out per project requirements.

Final layouts of access panels shall provide easy access to items with maintenance requirements.

Ultrasound room will have 2x2 ACT ceiling and gypsum in the toilet room.

UTSW Special RCP Considerations:

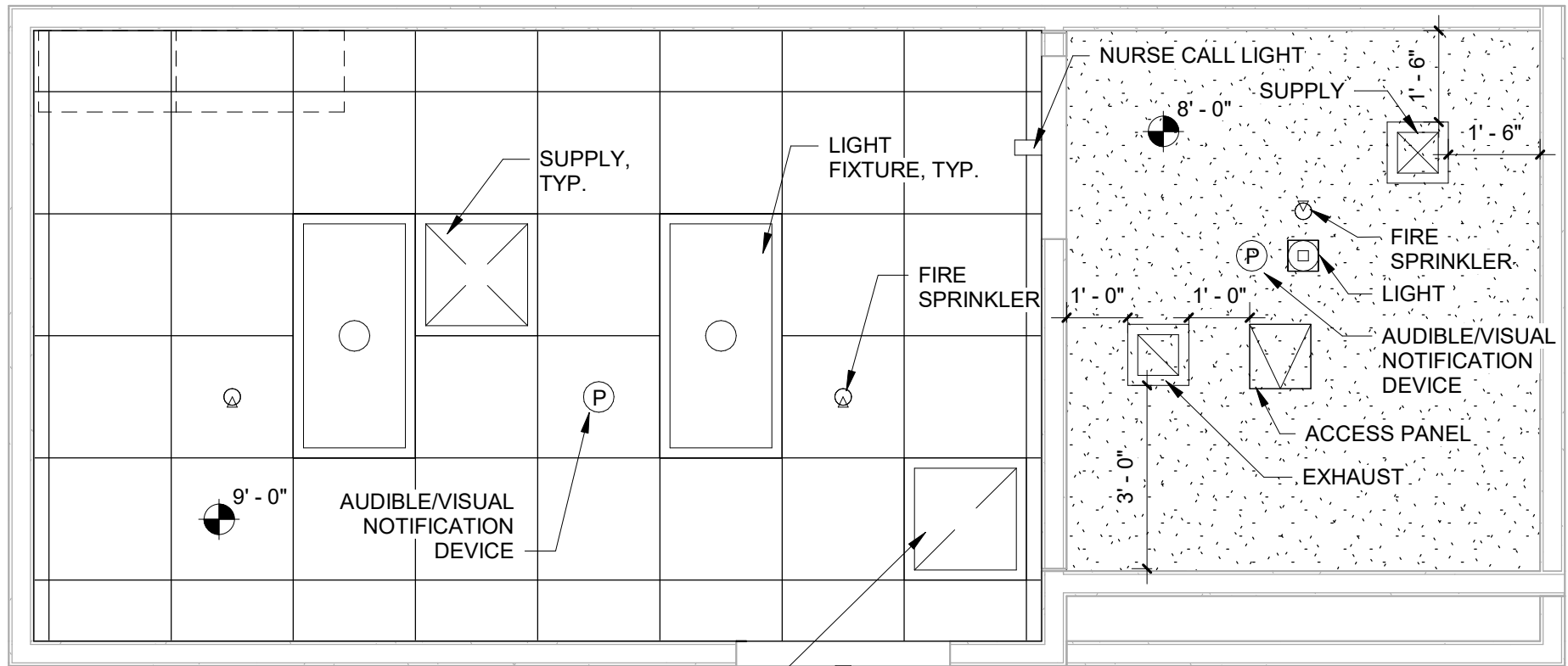
Refer to UTSW Design Guidelines to confirm light fixture types appropriate per project.

Fixtures shall be dimmable to provide full range from low light for exams to full light levels for cleaning.

Nurse call stations from both toilet room and patient area shall drive the corridor light as well as activate an indication at the nurse console.

Space Design Guidelines - Basis of Design

Space: Ultrasound/Sonogram (OBGYN, Maternal Fetal Med)	Department: Outpatient	Area: 233 SF
Drawing: Reflected Ceiling Plan	Drawing Scale: 3/8" = 1'-0"	Last Update: 12/20/2024



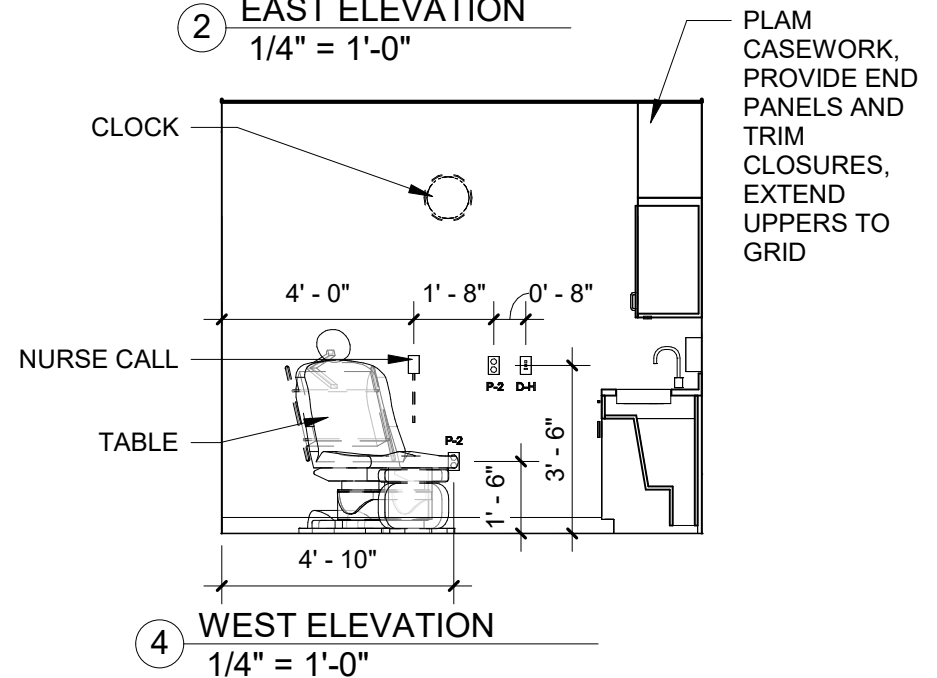
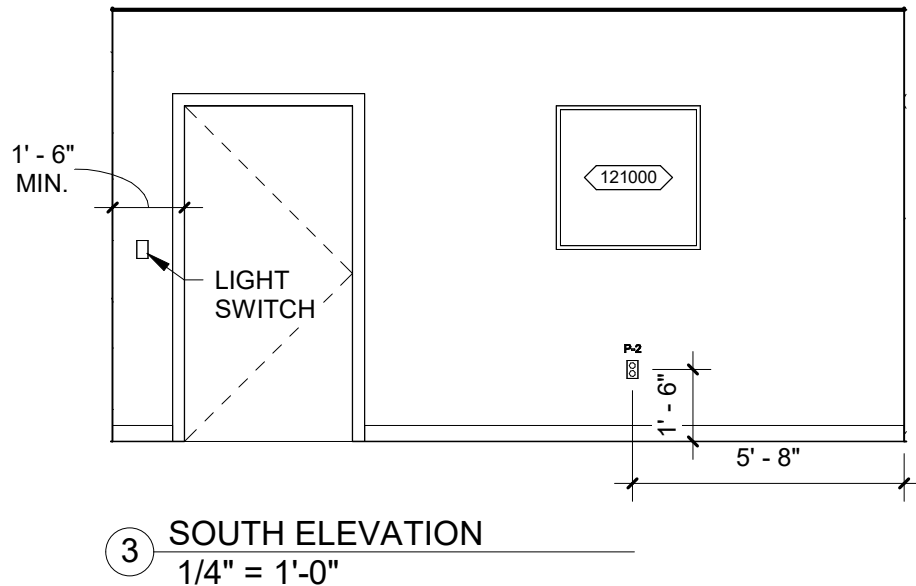
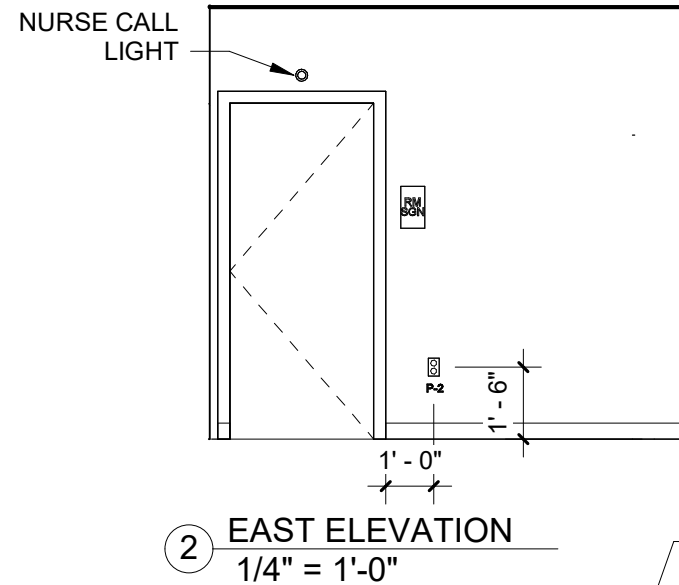
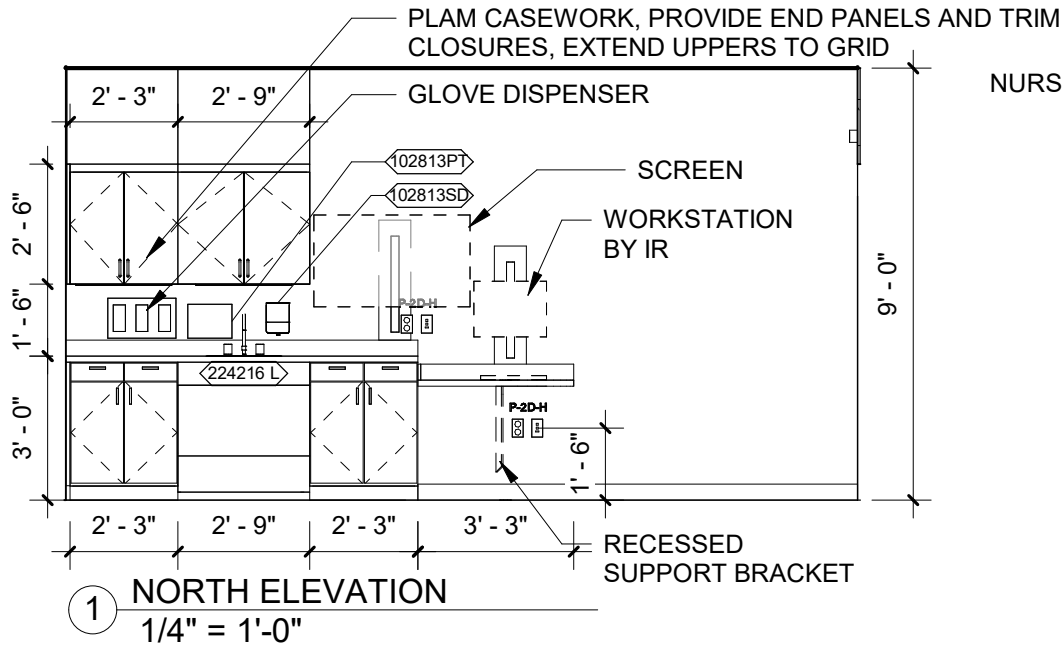
RETURN, TYP.

NURSE CALL LIGHT



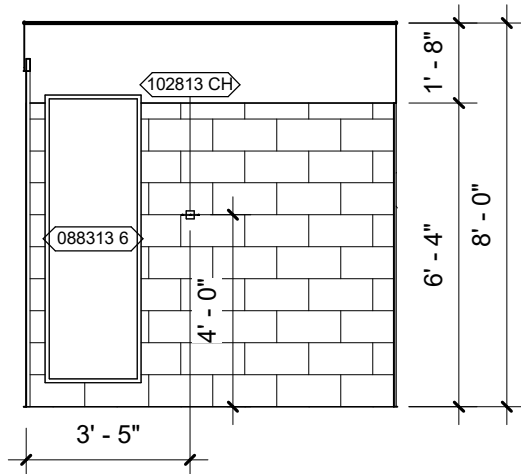
Space Design Guidelines - Basis of Design

Space: Ultrasound/Sonogram (OBGYN, Maternal Fetal Med)	Department: Outpatient	Area: 233 SF
Drawing: Elevations	Drawing Scale: 1/4" = 1'-0"	Last Update: 12/20/2024

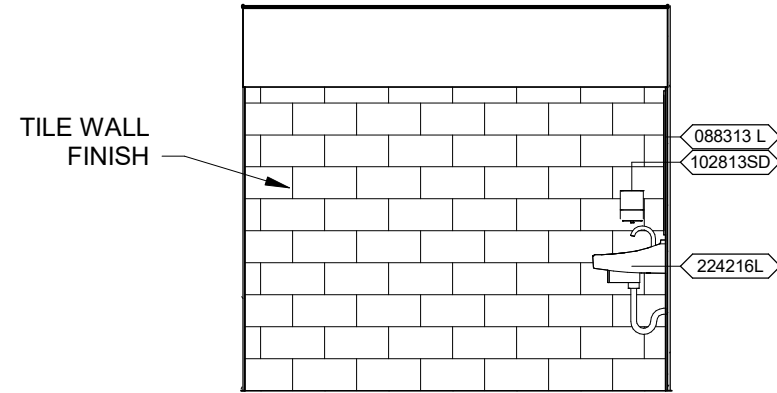


Space Design Guidelines - Basis of Design

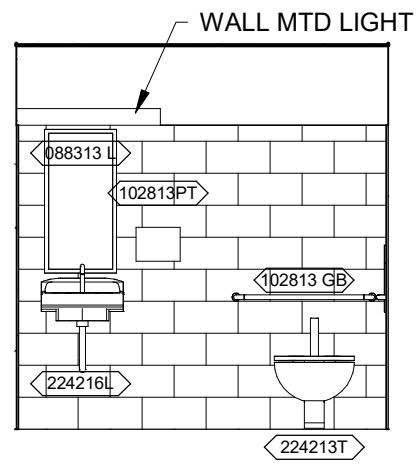
Space: Ultrasound/Sonogram (OBGYN, Maternal Fetal Med)	Department: Outpatient	Area: 233 SF
Drawing: Toilet Elevations	Drawing Scale: 1/4" = 1'-0"	Last Update: 12/20/2024



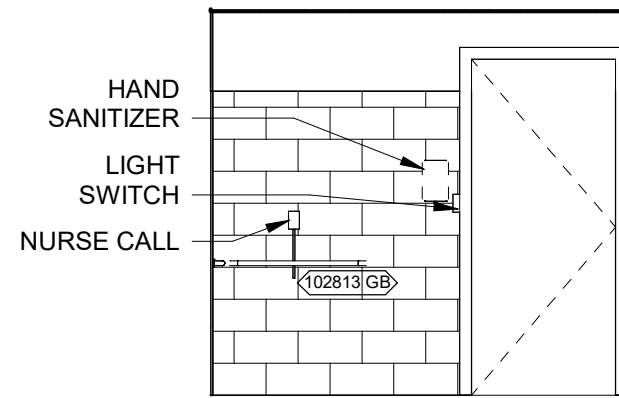
1 **TOILET NORTH ELEVATION**
 1/4" = 1'-0"



2 **TOILET EAST ELEVATION**
 1/4" = 1'-0"



3 **TOILET SOUTH ELEVATION**
 1/4" = 1'-0"



4 **TOILET WEST ELEVATION**
 1/4" = 1'-0"

Space Design Guidelines - Basis of Design

Space: Ultrasound/Sonogram (OBGYN, Maternal Fetal Med)	Department: Outpatient	Area: 233 SF
Drawing: Component Schedule	Drawing Scale: NTS	Last Update: 12/20/2024

UTSW ID	Product / Manuf / Item	Qty	LF	Utilities								Furnish	Comments	
				1	2	3	4	5	6	7	8			
088313 6	Mirror, Float Glass, With SS Frame, 2' X 6'	1		-	-	-	-	-	-	-	-	-	CFCI	
088313 L	Mirror, Float Glass, With SS Frame	1		-	-	-	-	-	-	-	-	-	CFCI	
102813 CH	Hook, Garment, Double, SS, Surface Mounted	1		-	-	-	-	-	-	-	-	-	CFCI	
102813 GB	Grab Bar, 1-1/4" Dia., SS, 2 Wall, W/C Accessible	2		-	-	-	-	-	-	-	-	-	CFCI	
102813HS	Dispenser, Hand Sanitizer, Wall Mtd.	2		-	-	-	-	-	-	-	-	-	CFCI	*Confirm per contract/lease requirements
102813PT	Dispenser, Paper Towel, SS, Surface Mounted	3		-	-	-	-	-	-	-	-	-	CFCI	*Confirm per contract/lease requirements
102813SD	Dispenser, Soap, Disposable	3		-	-	-	-	-	-	-	-	-	CFCI	*Confirm per contract/lease requirements
121000	Artwork, Decorative, With Frame	1		-	-	-	-	-	-	-	-	-	OFOI	
125213 B	Chair, Bariatric, Side With Arms	1		-	-	-	-	-	-	-	-	-	OFOI	
125213 G	Guest Chair, Side With Arms	1		-	-	-	-	-	-	-	-	-	OFOI	
224213T	Toilet, Vitreous China, Slab Type	1		Y	-	-	-	-	-	-	-	-	CFCI	
224216 L	Sink, bottom mount, solid surface	1		Y	-	-	-	-	-	-	-	-	CFCI	
224216L	Lavatory, Vitreous China, Slab Type	1		Y	-	-	-	-	-	-	-	-	CFCI	Includes pipe insulation
265119UC	Under cabinet lights, LED	2		-	Y	-	-	-	-	-	-	-	CFCI	
IR	Track and Bracket	2		-	-	-	-	-	-	-	-	-	OFOI	Install blocking behind track starting at least 4" above and below track. Locate bottom of track 1" above top of backsplash.
IR - VS	View Screen	1		-	Y	-	-	-	-	Y	-	-	OFOI	Install blocking for mounting device.
IR-WS	Clinical Workstation	1		-	Y	-	-	-	-	Y	-	-	OFOI	
RM-SGN	Room Sign, Per Standards	2		-	-	-	-	-	-	-	-	-	CFCI	Location confirmed by UTSW PM and UTSW sign shop
RNCALL	Nurse Call Button	2		-	Y	-	-	-	-	Y	-	-	CFCI	*Hospital based only. Includes light fixture in hallway.

Utilities Key

- | | |
|---------------------------------|----------------------------------|
| 1. Water / Drain | 5. Non MedGas |
| 2. Electricity - Standard power | 6. Vacuum |
| 3. MedGas | 7. Data - Data and clinical data |
| 4. Misc Gas | 8. Misc. |

Furnish Key

- OFOI - Owner Furnished, Owner Installed
- OFVI - Owner Furnished, Vendor Installed
- OFCI - Owner Furnished, Contractor Installed
- CFCI - Contractor Furnished, Contractor Installed

Space Design Guidelines - Basis of Design

Space: Ultrasound/Sonogram (OBGYN, Maternal Fetal Med)	Department: Outpatient	Area: 233 SF
Drawing: Data/Power Schedule	Drawing Scale: NTS	Last Update: 12/20/2024

Electrical Fixtures

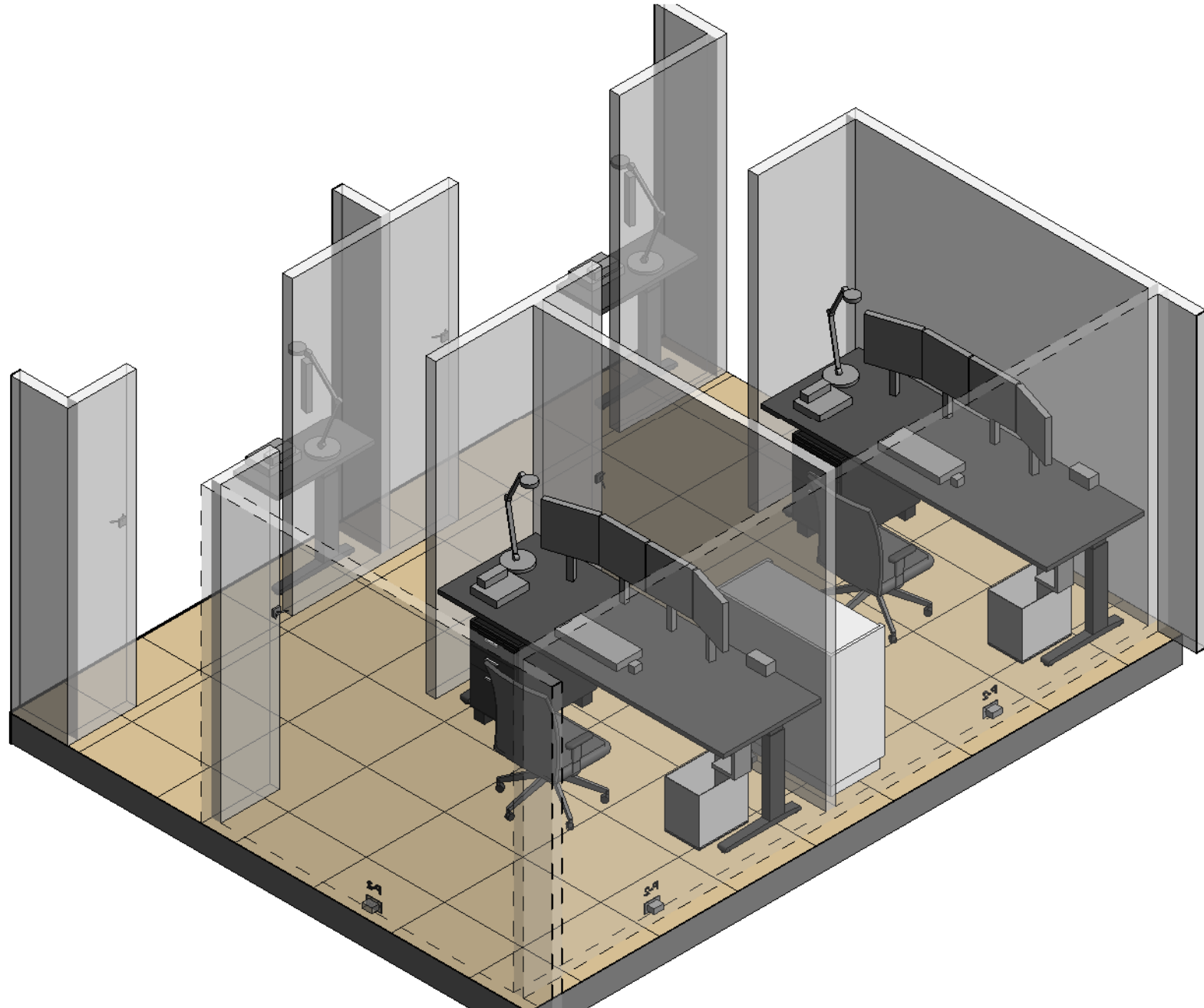
USTW ID	Item	Qty.
P-2	Power - Duplex - 120 V	6

Data Fixtures

UTSW ID	Item	Qty
D-H	Data - Qty 2, USB - Qty 1	1
D-U	USB - 1 QTY	3

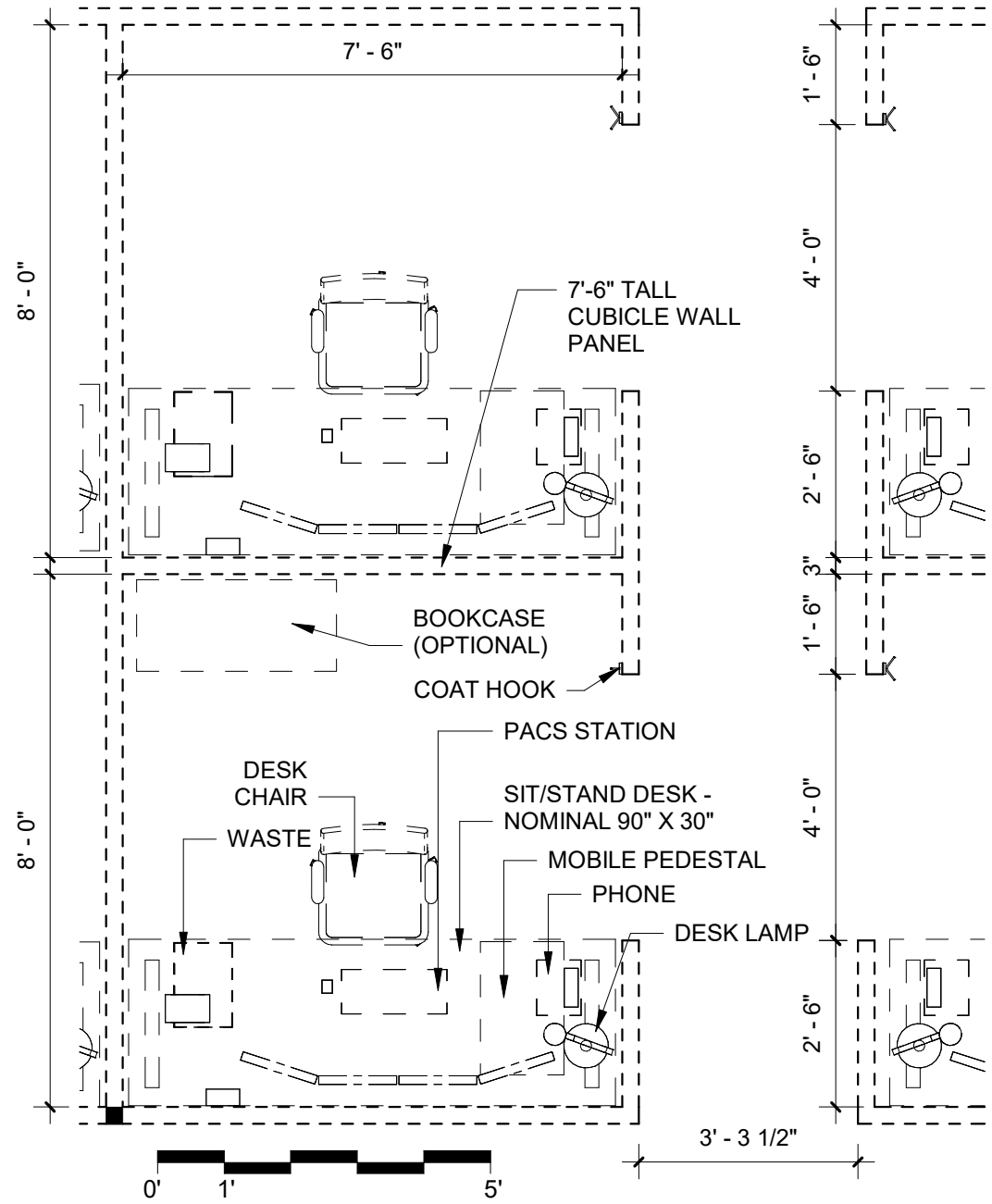
Space Design Guidelines - Basis of Design

Space:	Reading Room (Imaging)	Department:	Outpatient	Area:	183 SF
Drawing:	Room Isometric	Drawing Scale:	NTS	Last Update:	12/20/2024



Space Design Guidelines - Basis of Design

Space: Reading Room (Imaging)	Department: Outpatient	Area: 183 SF
Drawing: Floor Plan	Drawing Scale: 3/8" = 1'-0"	Last Update: 12/20/2024



Space Design Guidelines - Basis of Design

Space:	Reading Room (Imaging)	Department:	Outpatient	Area:	183 SF
Drawing:	Space Notes	Drawing Scale:	NTS	Last Update:	12/20/2024

Plan Space Narrative:

Information provided shall be confirmed with UTSW PM.

Furnish assignments shall be confirmed by the UTSW PM.

Dashed equipment is specified per project by UTSW

Items noted with symbol are shown on the Component Schedule

Imaging leadership must review and approve reading room plans and components for each project throughout Design and Documentation. Additional approvals shall be confirmed per project. Mammogram reading rooms must be approved additionally by UTSW Medical Physicist.

Clinic size will determine the number of reading stations. Smaller clinics may have workstations within private offices with privacy panels between workstations.

Reading room finishes and furniture will promote a quiet and dark space. Elements of a reading station will be the same when located within an office with a separate desk.

Specific furniture sizes and components will be confirmed for each project.

Square footage indicated for 2 cubicles plus walk aisle.

Spaces with reading room cubicles located within will require card/badge access.

UTSW Special Plan Considerations:

Flooring: CPT

Base: Rubber base

Ceiling: 2x2 ACT

Walls: Paint, Neutral dark color.

Blocking (BLKG) by GC shall be coordinated prior to installation. Blocking required behind all slat wall.

Windows: Windows and natural light are not preferred. If present, glazing shall be walled off or a black-out film installed.

Systems: A dedicated thermostat for the reading room areas is preferred.

RCP Space Narrative:

Fire and life safety elements will be designed and laid out per project requirements.

Typical 2x2 ACT ceiling.

UTSW Special RCP Considerations:

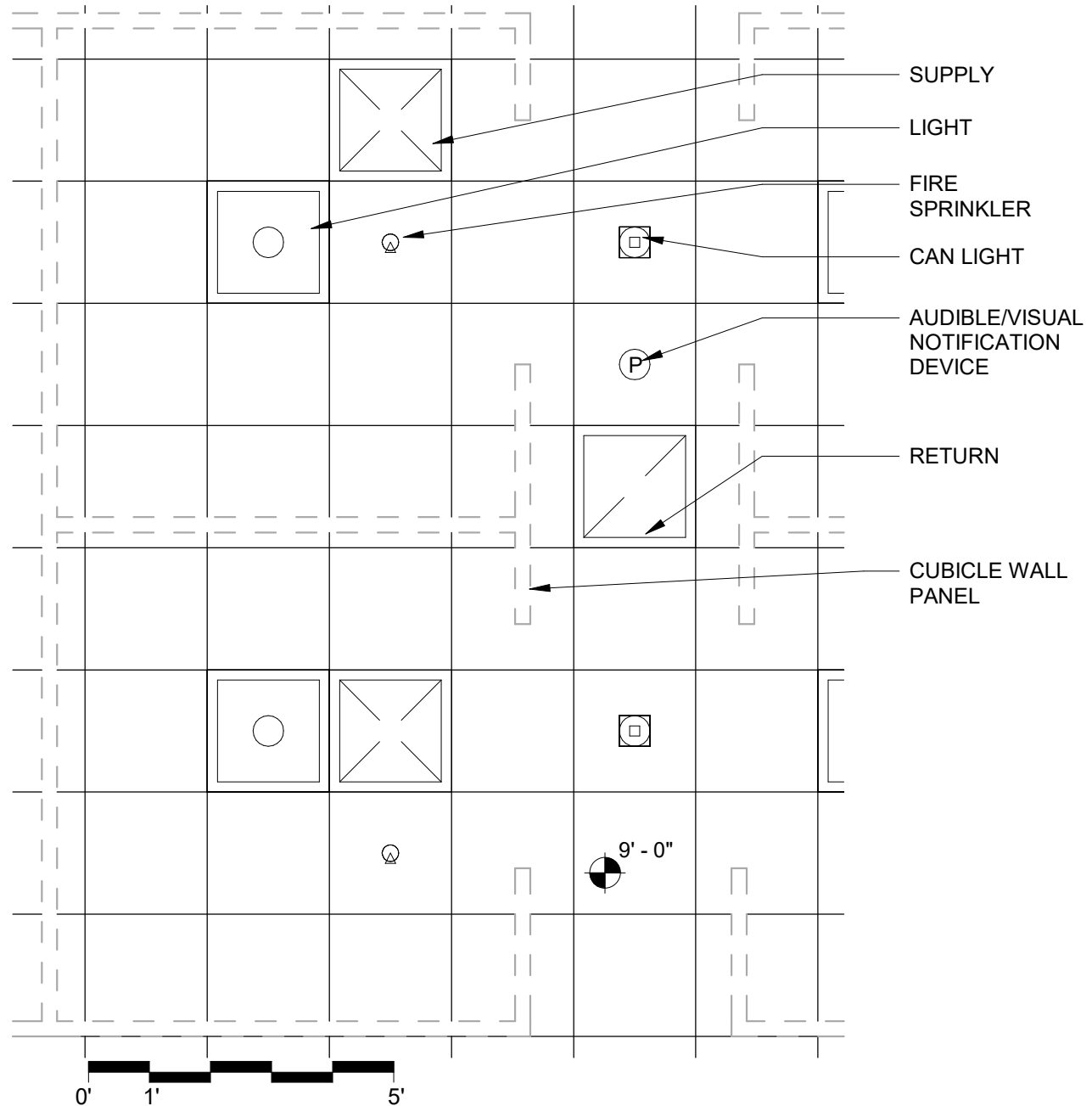
Refer to UTSW Design Guidelines to confirm light fixture types appropriate per project.

Lights and Controls: Typical light for this space will have 2'x2' LED lights located over the reading stations with LED can lights located over the walkways. Standard practice is for the lights to be turned off over desks during working hours while walkway lights remain on. The walkway lights to be LED non-reflective cans that are dimmable to 1 percent.

WAP locations shall be confirmed per project requirements and identified on RCPs.

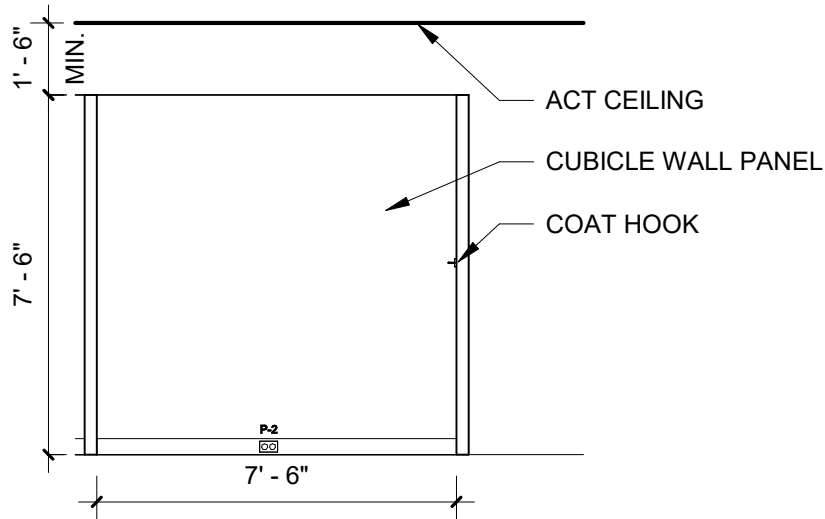
Space Design Guidelines - Basis of Design

Space: Reading Room (Imaging)	Department: Outpatient	Area: 183 SF
Drawing: Reflected Ceiling Plan	Drawing Scale: 3/8" = 1'-0"	Last Update: 12/20/2024

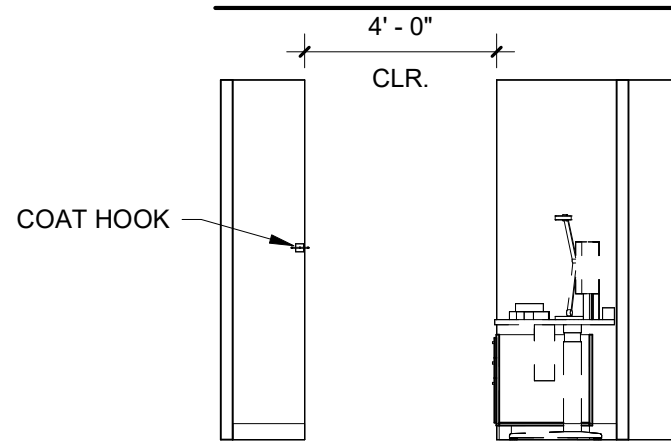


Space Design Guidelines - Basis of Design

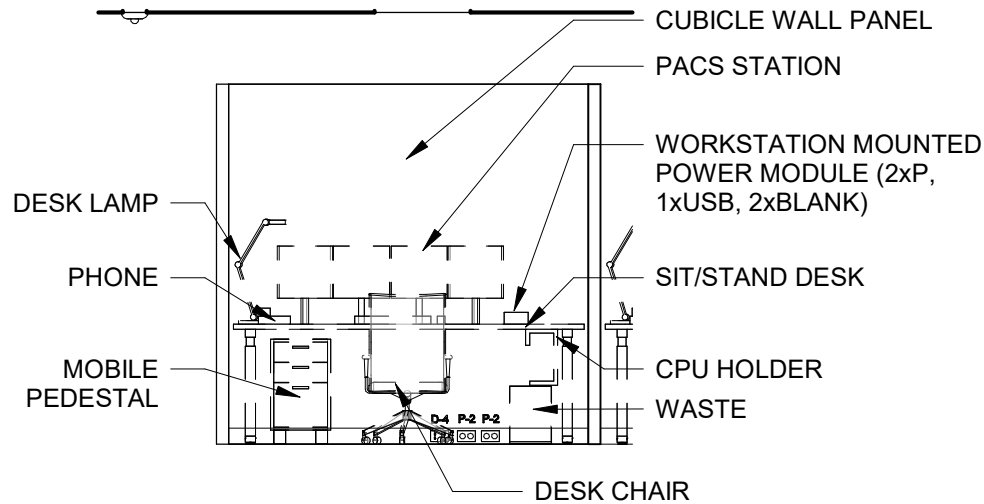
Space: Reading Room (Imaging)	Department: Outpatient	Area: 183 SF
Drawing: Elevations	Drawing Scale: 1/4" = 1'-0"	Last Update: 12/20/2024



① **NORTH ELEVATION**
 1/4" = 1'-0"



② **EAST ELEVATION**
 1/4" = 1'-0"



③ **SOUTH ELEVATION**
 1/4" = 1'-0"



④ **WEST ELEVATION**
 1/4" = 1'-0"

Space Design Guidelines - Basis of Design

Space: Reading Room (Imaging)	Department: Outpatient	Area: 183 SF
Drawing: Component Schedule	Drawing Scale: NTS	Last Update: 12/20/2024

UTSW ID	Product / Manuf / Item	Qty	LF	Utilities								Furnish	Comments	
				1	2	3	4	5	6	7	8			
4688-028	Waste, Black, Fire Resistant	2		-	-	-	-	-	-	-	-	-	CFCI	
102813 CH	Hook, Garment, Double, SS, Surface Mounted	2		-	-	-	-	-	-	-	-	-	OFOI	From furniture systems vendor.
125000 LMP	Desk Lamp	2		-	Y	-	-	-					OFOI	
125213 D	Desk - Nominal 90" x 30"	2		-	-	-	-	-	-	-	-	-	OFOI	Includes workstation mounted power module.
PACS	PACS Workstation	2		-	Y	-	-	-	-	-	Y	-	OFOI	Requires 4 power and 4 data minimum. Confirm per project.
PHN	Phone	2		-	-	-	-	-	-	-	Y	-	OFOI	

Utilities Key

- | | |
|-------------------------------------|----------------------------------|
| 1. Water / Drain - 1 sink and drain | 5. Non MedGas |
| 2. Electricity - Standard power | 6. Vacuum |
| 3. MedGas | 7. Data - Data and clinical data |
| 4. Misc Gas | 8. Misc. |

Furnish Key

- OFOI - Owner Furnished, Owner Installed
 OFVI - Owner Furnished, Vendor Installed
 OFCI - Owner Furnished, Contractor Installed
 CFCI - Contractor Furnished, Contractor Installed

Space Design Guidelines - Basis of Design

Space: Reading Room (Imaging)	Department: Outpatient	Area: 183 SF
Drawing: Data/Power Schedule	Drawing Scale: NTS	Last Update: 12/20/2024

Electrical Fixtures

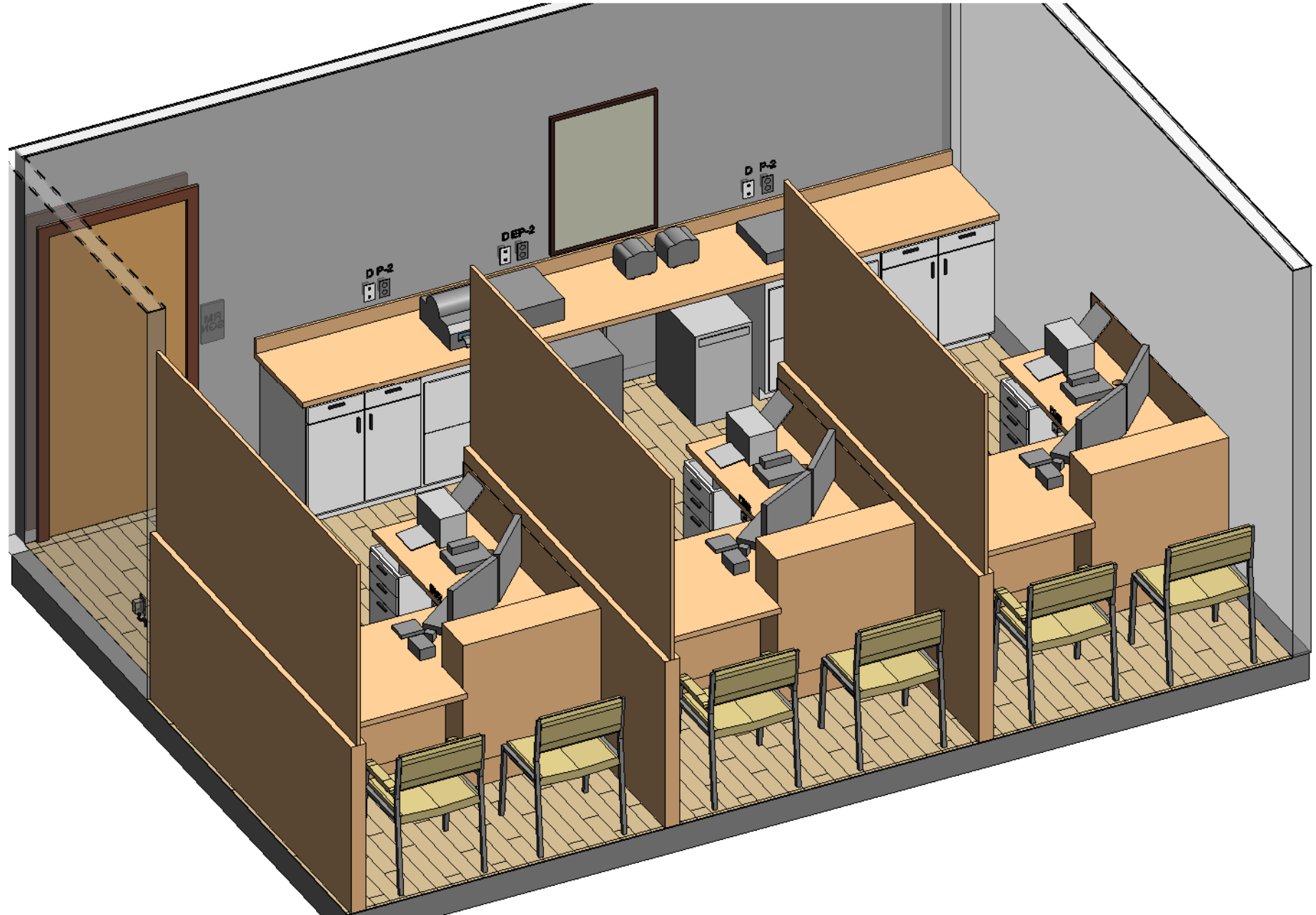
USTW ID	Item	Qty.
P-2	Power - Duplex - 120 V	8

Data Fixtures

ID	Nomenclature	Qty
D-4	Data Outlet	2

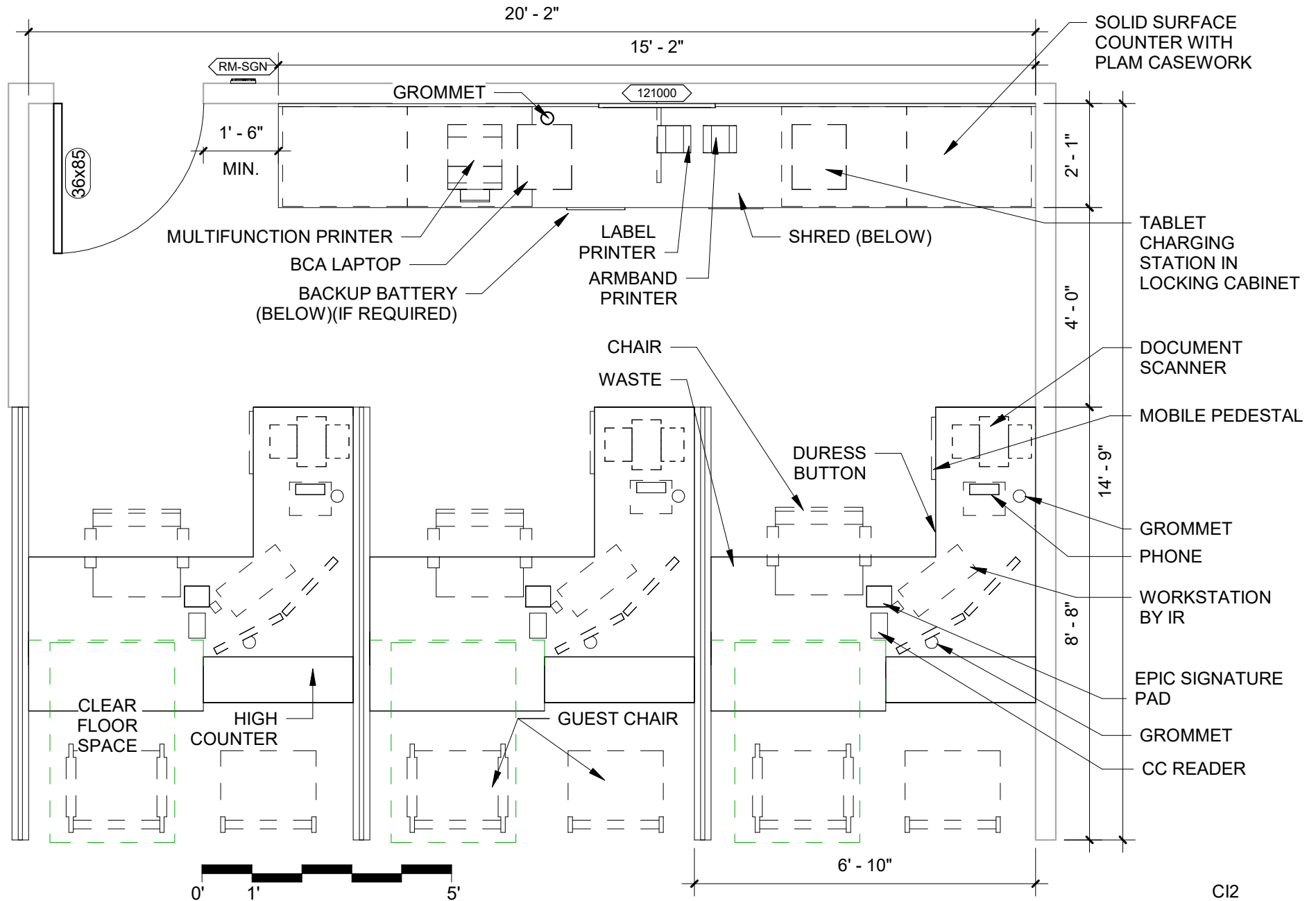
Space Design Guidelines - Basis of Design

Space: Check-In	Department: Outpatient	Area: 298 SF
Drawing: Room Isometric	Drawing Scale: NTS	Last Update: 12/20/2024



Space Design Guidelines - Basis of Design

Space: Check-In	Department: Outpatient	Area: 298 SF
Drawing: Floor Plan	Drawing Scale: 3/8" = 1'-0"	Last Update: 12/20/2024



Space Design Guidelines - Basis of Design

Space: Check-In	Department: Outpatient	Area: 298 SF
Drawing: Space Notes	Drawing Scale: NTS	Last Update: 12/20/2024

Plan Space Narrative:

Information provided shall be confirmed with UTSW PM.

Furnish assignments shall be confirmed by the UTSW PM.

Dashed equipment is specified per project by UTSW

Items noted with symbol are shown on the Component Schedule

Refer to Data/Power Schedule page for additional requirements including BCA Laptop.

The number of check-in desks in a project shall be determined by the expected patient volume per clinic. Where required, 90 degree counter supports shall be located to prevent knee interference.

Quantity, types, and locations of guest chairs may vary per clinic, confirm per project.

Confirm if check-in area needs a nearby workstation for leadership. This single workstation should be located in close proximity to the check-in area but may be off-stage. Provide a desktop computer with 2 monitors and phone.

Equipment Notes:

Welcome tablets are used at some clinics which require a charging station within a locking cabinet. The locking cabinet shall be secured to the counter if in an open space. Each tablet charging station holds 10 tablets. Each check-in desk will need 2 to 3 tablets. Adjust charging station quantities to provide for the total tablets required.

Printers: Confirm if clinic will utilize a multi-function document printer and required quantity. Floor mounted multi-function printers may be off-stage and out of patient view. Additional printer types includes: chart printers, label printers, and arm band printers.

Confirm if clinic will be accepting cash and what requirements will be to determine if drop safe or individual locking drawers shall be necessary.

Confirm requirements for security cameras and duress buttons.

UTSW Special Plan Considerations:

Flooring: Carpet

Base: Rubber Base

Ceiling: 2x2 ACT and Painted Gypsum

Walls: Paint

Cabinets: Plastic Laminate or High Impact Panels, confirm per project.

Countertops: Solid Surface

Blocking (BLKG) by GC shall be coordinated prior to installation.

RCP Space Narrative:

Fire and life safety elements will be designed and laid out per project requirements.

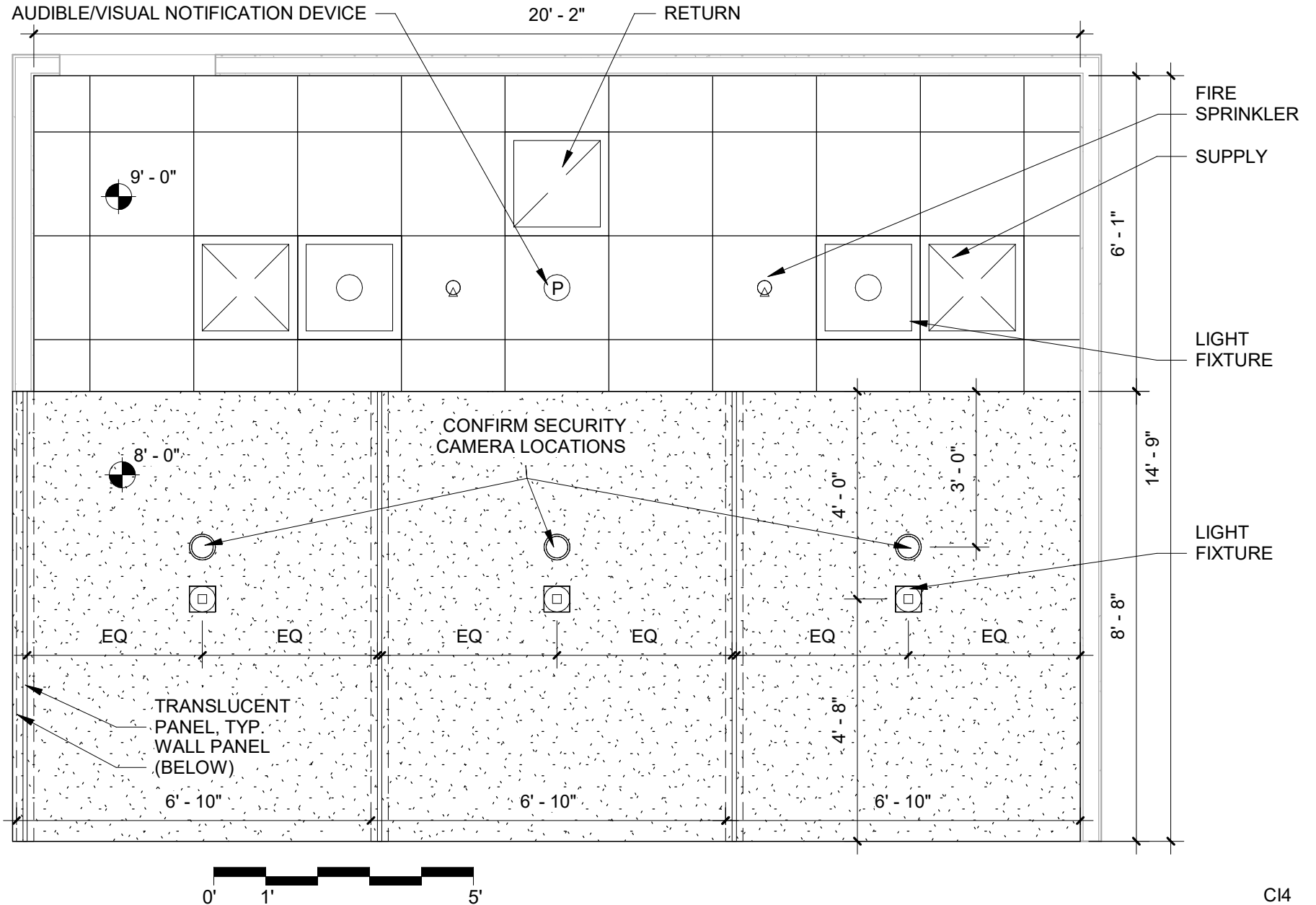
Typical 2x2 ACT ceiling and Painted Gypsum.

UTSW Special RCP Considerations:

Refer to UTSW Design Guidelines to confirm light fixture types appropriate per project.

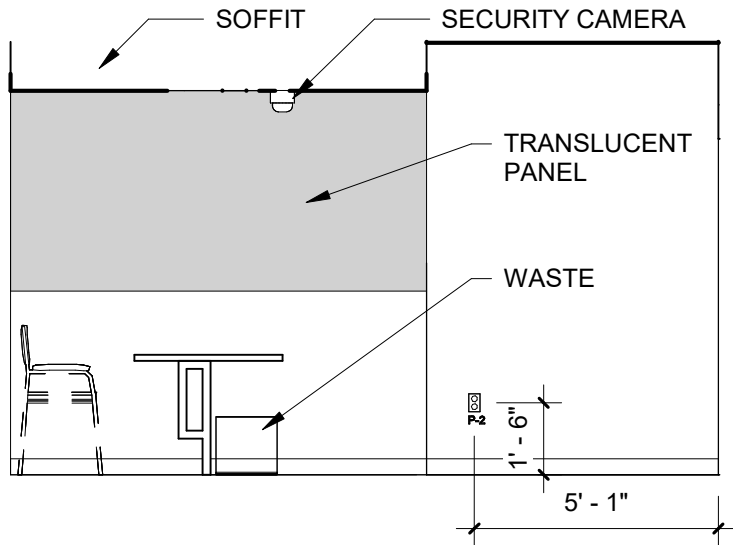
Space Design Guidelines - Basis of Design

Space: Check-In	Department: Outpatient	Area: 298 SF
Drawing: Reflected Ceiling Plan	Drawing Scale: 3/8" = 1'-0"	Last Update: 12/20/2024

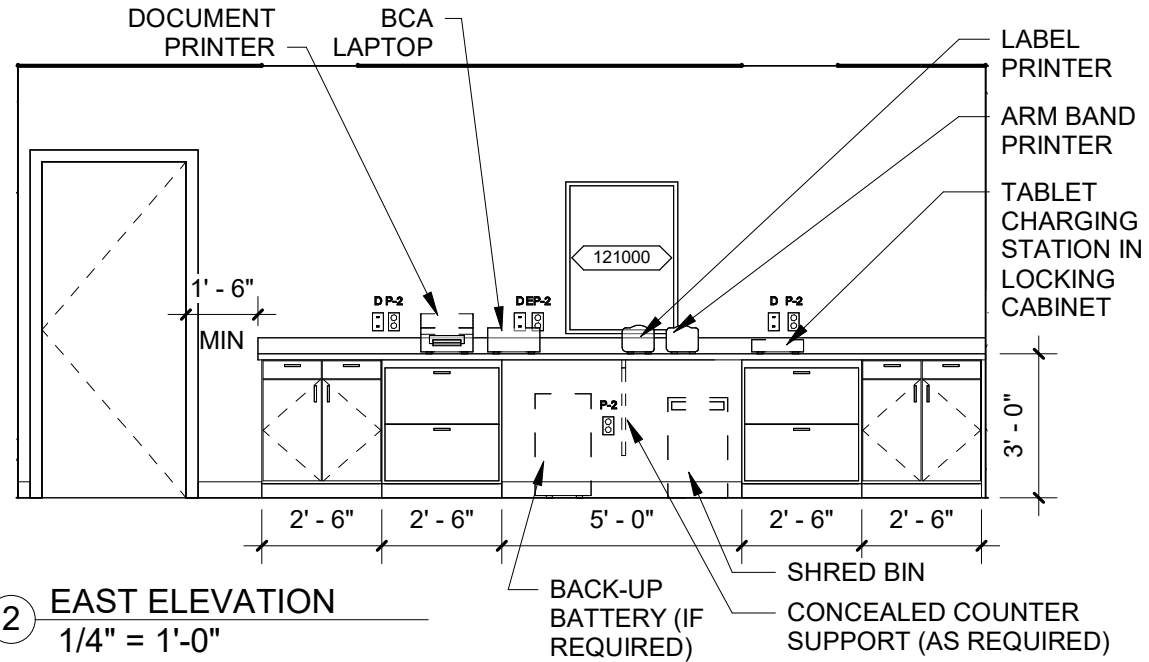


Space Design Guidelines - Basis of Design

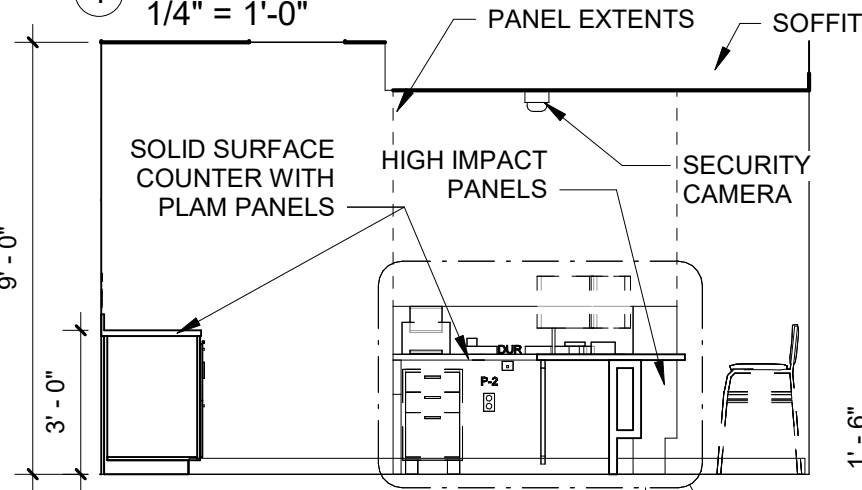
Space: Check-In	Department: Outpatient	Area: 298 SF
Drawing: Elevations	Drawing Scale: 1/4" = 1'-0"	Last Update: 12/20/2024



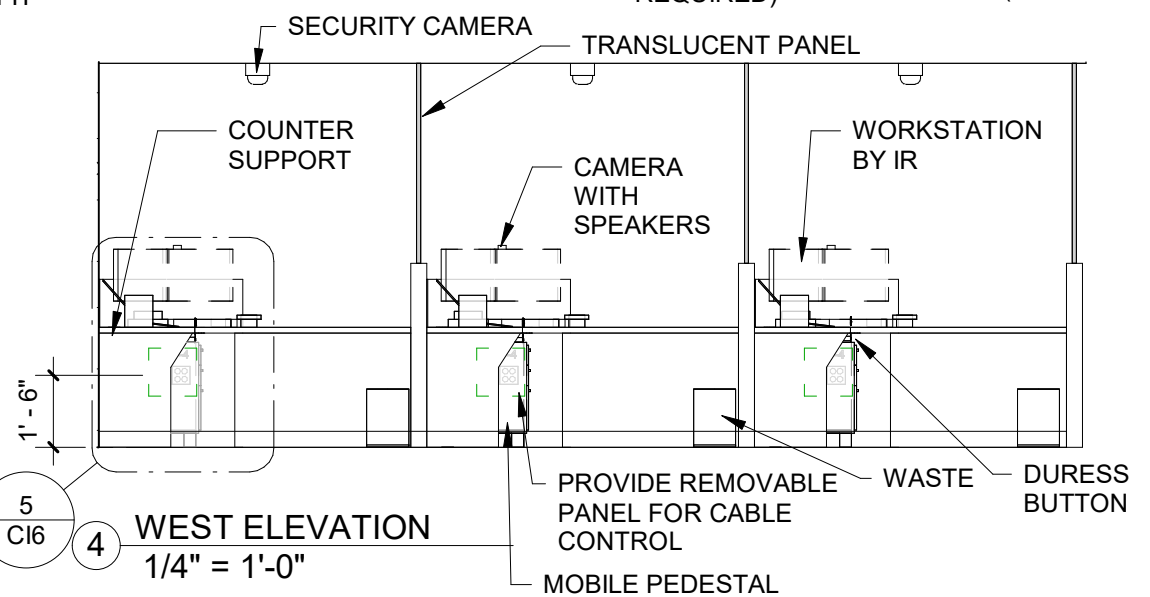
1 NORTH ELEVATION
 1/4" = 1'-0"



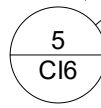
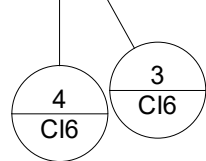
2 EAST ELEVATION
 1/4" = 1'-0"



3 SOUTH ELEVATION
 1/4" = 1'-0"

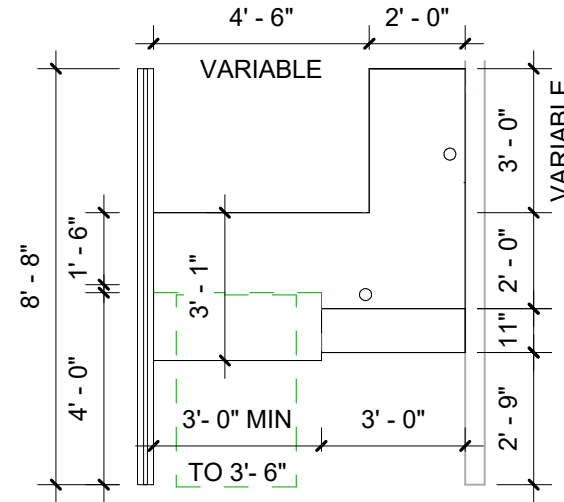
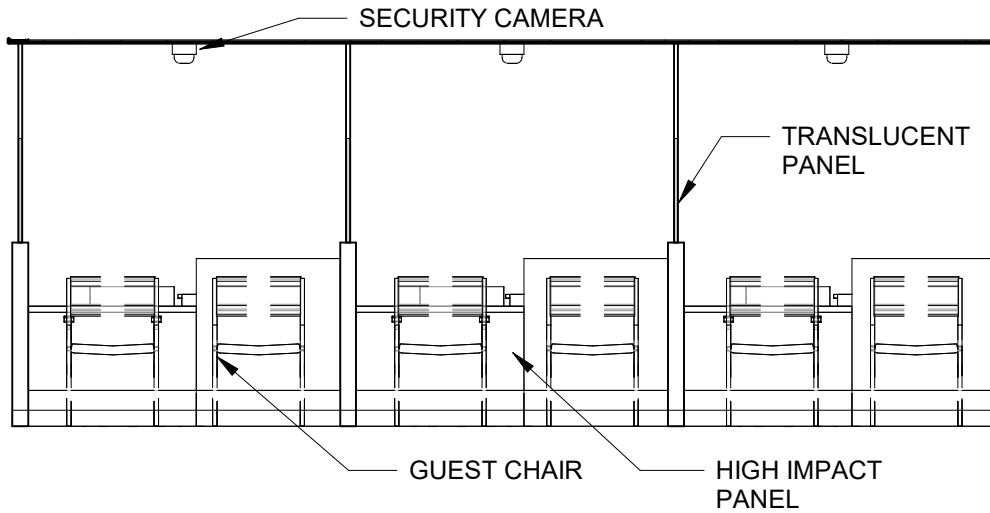


4 WEST ELEVATION
 1/4" = 1'-0"



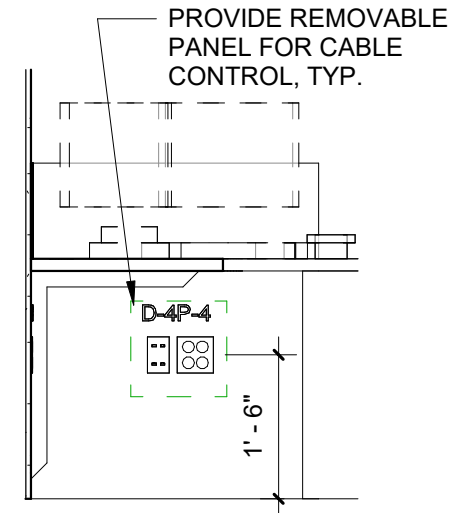
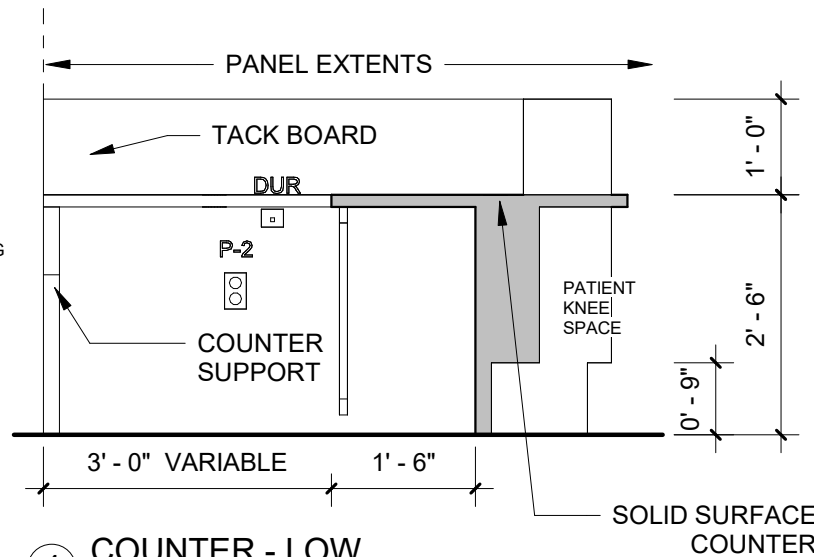
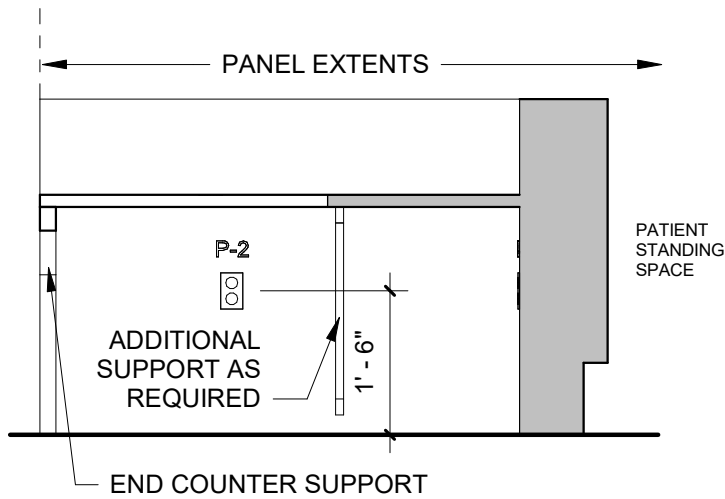
Space Design Guidelines - Basis of Design

Space: Check-In	Department: Outpatient	Area: 298 SF
Drawing: Elevations	Drawing Scale: As indicated	Last Update: 12/20/2024



① EAST ELEVATION - CASEWORK
 1/4" = 1'-0"

② CHECK-IN - MILLWORK PLAN
 1/4" = 1'-0"



③ COUNTER - HIGH
 1/2" = 1'-0"

④ COUNTER - LOW
 1/2" = 1'-0"

⑤ ENLARGED DESK
 1/2" = 1'-0"

Space Design Guidelines - Basis of Design

Space: Check-In	Department: Outpatient	Area: 298 SF
Drawing: Component Schedule	Drawing Scale: NTS	Last Update: 12/20/2024

UTSW ID	Product / Manuf / Item	Qty	LF	Utilities								Furnish	Comments
				1	2	3	4	5	6	7	8		
121000	Artwork, Decorative, With Frame	1		-	-	-	-	-	-	-	-	OFOI	
124600-BLK	Waste, Black, Fire Resistant	3		-	-	-	-	-	-	-	-	CFCI	
125213 G	Guest Chair, Side With Arms	3		-	-	-	-	-	-	-	-	OFOI	Confirm per clinic requirements.
125213 G2	Guest Chair, No Arms	3		-	-	-	-	-	-	-	-	OFOI	Confirm per clinic requirements.
AMPNT	Printer, Armband	1		-	Y	-	-	-	-	-	-	OFOI	Wireless
BB	Backup Battery	1		-	Y	-	-	-	-	-	-	OFOI	Provides backup power for BCA and required network printer.
BCA	Backup Laptop	1		-	Y	-	-	-	-	Y	-	OFOI	Requires emergency power, direct connection to network printer.
CCRD	Credit Card Reader	3		-	Y	-	-	-	-	Y	-	OFOI	
CH-T1	Chair, Task With Arms	3		-	-	-	-	-	-	-	-	OFOI	
ESC	Epic Scanner	3		-	Y	-	-	-	-	Y	-	OFOI	
ESP	Epic Signature Pad	3		-	Y	-	-	-	-	-	-	OFOI	
MLTPNT	Multifunction Printer	1		-	Y	-	-	-	-	Y	-	OFOI	Confirm requirements including back-up power, fax, data, etc.
MON2	Dual Monitor Workstation	3		-	Y	-	-	-	-	-	-	OFOI	
PNTLBL	Printer, Label	1		-	Y	-	-	-	-	Y	-	OFOI	
RM-SGN	Room Sign, Per Standards	1		-	-	-	-	-	-	-	-	CFCI	Location confirmed by UTSW PM and UTSW sign shop
SCCAM	Security Camera, Ceiling Mtd	3		-	Y	-	-	-	-	Y	-	CFCI	Location, quantity, and type to be confirmed per project.
TBS	Tablet Charging Station (For 10 Tablets)	1		-	Y	-	-	-	-	-	-	OFOI	Locking cabinet for tablet charging station. May be bolted to counter.
WKSTN	IR Clinical Workstation	3		-	Y	-	-	-	-	Y	-	OFOI	

Utilities Key

- | | |
|-------------------------------------|----------------------------------|
| 1. Water / Drain - 1 sink and drain | 5. Non MedGas |
| 2. Electricity - Standard power | 6. Vacuum |
| 3. MedGas | 7. Data - Data and clinical data |
| 4. Misc Gas | 8. Misc. |

Furnish Key

- OFOI - Owner Furnished, Owner Installed
 OFVI - Owner Furnished, Vendor Installed
 OFCI - Owner Furnished, Contractor Installed
 CFCI - Contractor Furnished, Contractor Installed

Space Design Guidelines - Basis of Design

Space: Check-In	Department: Outpatient	Area: 298 SF
Drawing: Data/Power Schedule	Drawing Scale: NTS	Last Update: 12/20/2024

Electrical Fixtures

USTW ID	Item	Qty.
EP-2	Emergency Power - Duplex - 120 V	1
P-2	Power - Duplex - 120 V	7
P-4	Power - Quad - 120V	3

Data Fixtures

ID	Nomenclature	Qty
D-2	DATA - Qty 2	3
D-4	DATA - Qty 4	3
Duress	Duress	3

Data / Power Requirements:

Confirm requirements for number circuit, emergency power, quantities, and layouts per project.

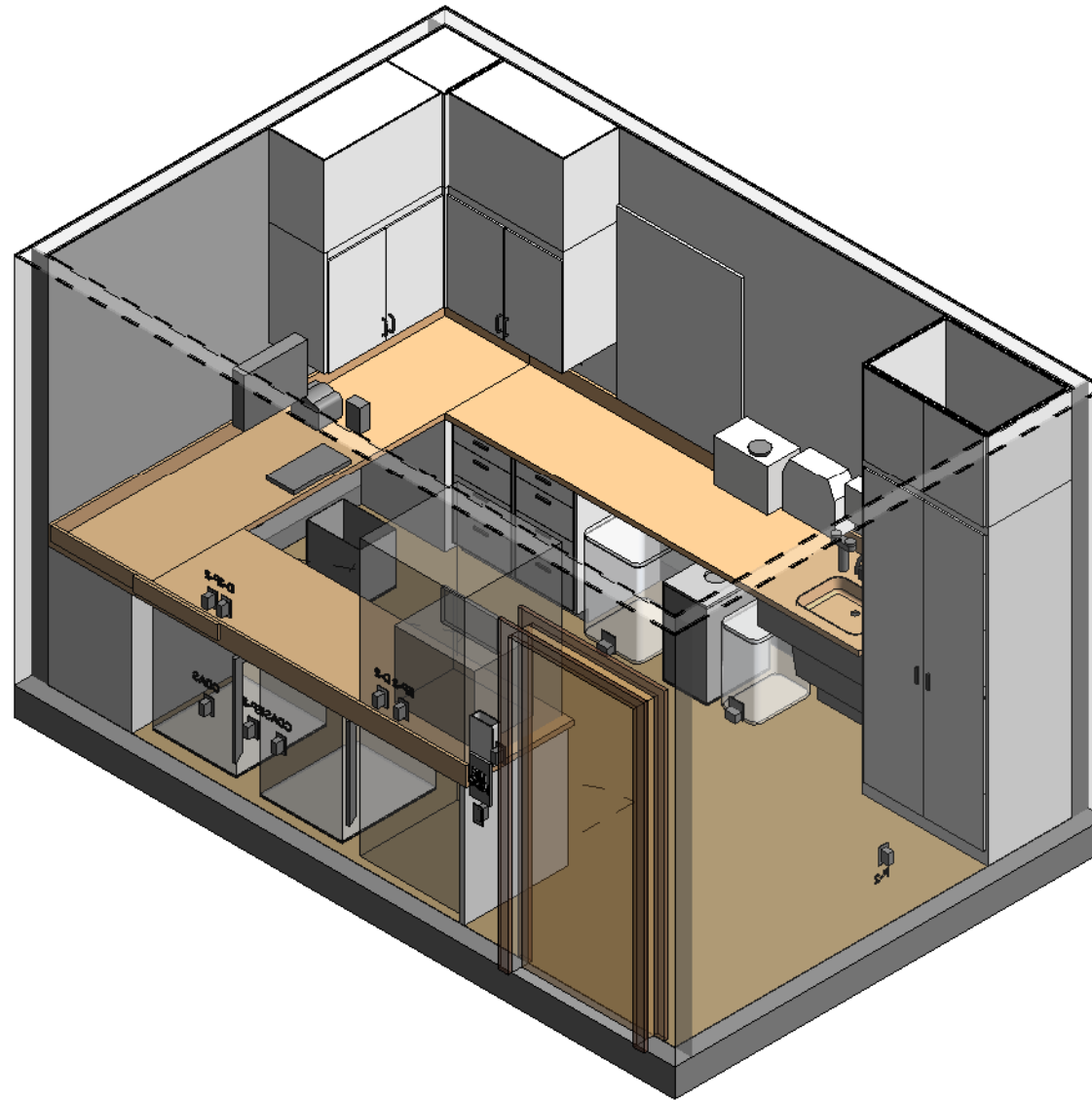
Data for workstation computers connects to the network through the phone.

Business Continuity Access (BCA) Laptop requires a direct connection to a network printer with both connected to emergency power. If the project does not have emergency power, provide a large battery backup to serve both items. The battery backup can be unsightly so the location shall be well coordinated and clearly documented.

Confirm if the clinic will require an outbound fax with additional phone/data connections.

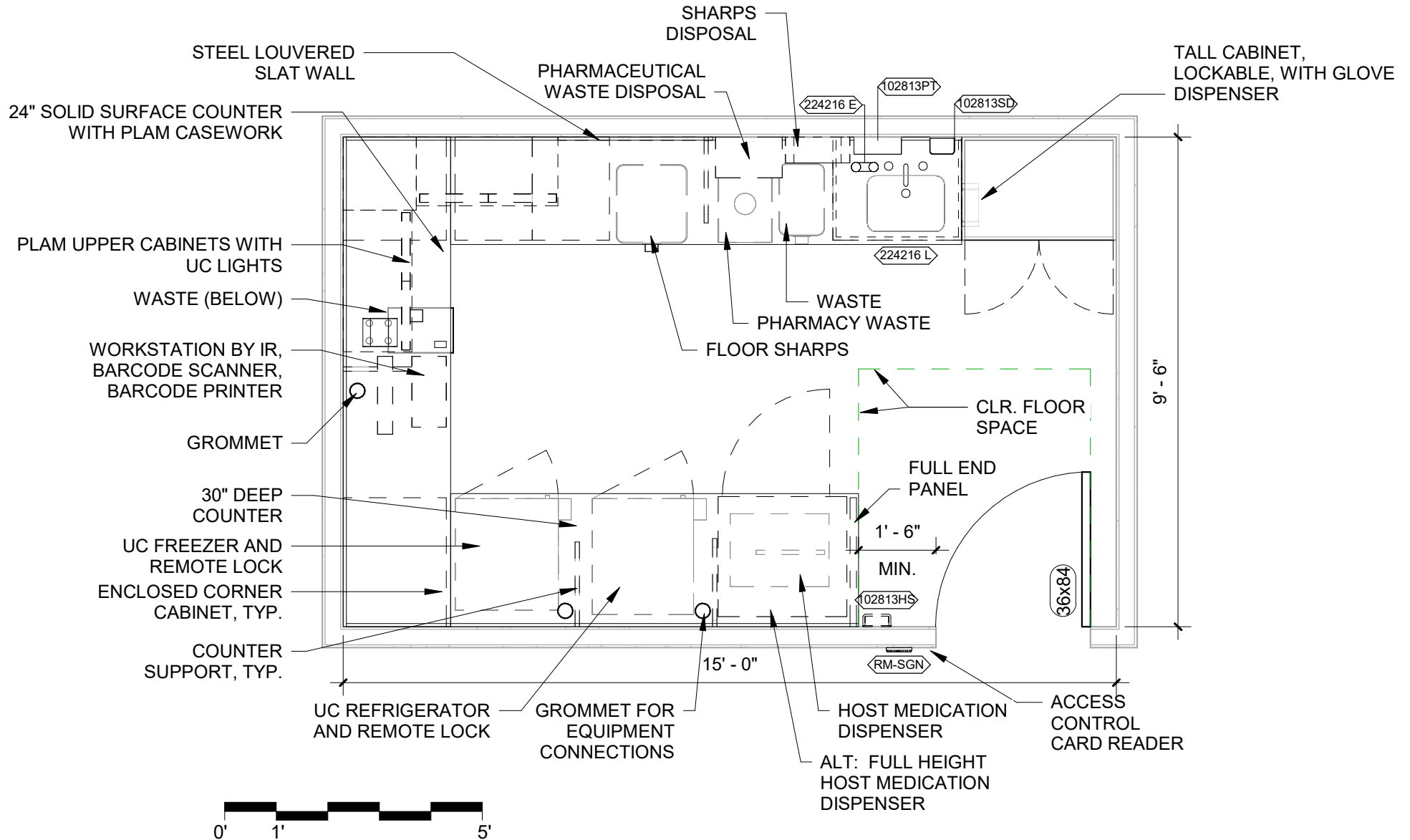
Space Design Guidelines - Basis of Design

Space: Medication Room	Department: Outpatient	Area: 143 SF
Drawing: Room Isometric	Drawing Scale: NTS	Last Update: 12/20/2024



Space Design Guidelines - Basis of Design

Space: Medication Room	Department: Outpatient	Area: 143 SF
Drawing: Floor Plan	Drawing Scale: 3/8" = 1'-0"	Last Update: 12/20/2024



Space Design Guidelines - Basis of Design

Space: Medication Room	Department: Outpatient	Area: 143 SF
Drawing: Space Notes	Drawing Scale: NTS	Last Update: 12/20/2024

Plan Space Narrative:

Information provided shall be confirmed with UTSW PM.

Furnish assignments shall be confirmed by the UTSW PM. Entity furnishing paper towel and soap dispensers shall be confirmed per project location and lease requirements.

Dashed equipment is specified per project by UTSW

Items noted with symbol are shown on the Component Schedule

Location of sharps container shown in this guideline shall be reviewed and approved by clinic leadership.

When supplies will be stored next to the sink, a splash barrier will be required.

A low-voltage security system is required. Location and equipment to be confirmed per project requirements.

Phone and Nurse Call Duty Station may be required at some locations. Confirm per project.

Confirm requirements for emergency power. Confirm requirements for CDAS or RTLS for refrigerators and freezers.

UTSW Special Plan Considerations:

Flooring: LVT

Base: Rubber base

Ceiling: 2x2 ACT

Walls: Paint

Casework: Plastic Laminate, extend upper casework to ceiling grid.

Countertops: Solid Surface

Blocking (BLKG) by GC shall be coordinated prior to installation. Blocking required behind all slat wall.

RCP Space Narrative:

Fire and life safety elements will be designed and laid out per project requirements.

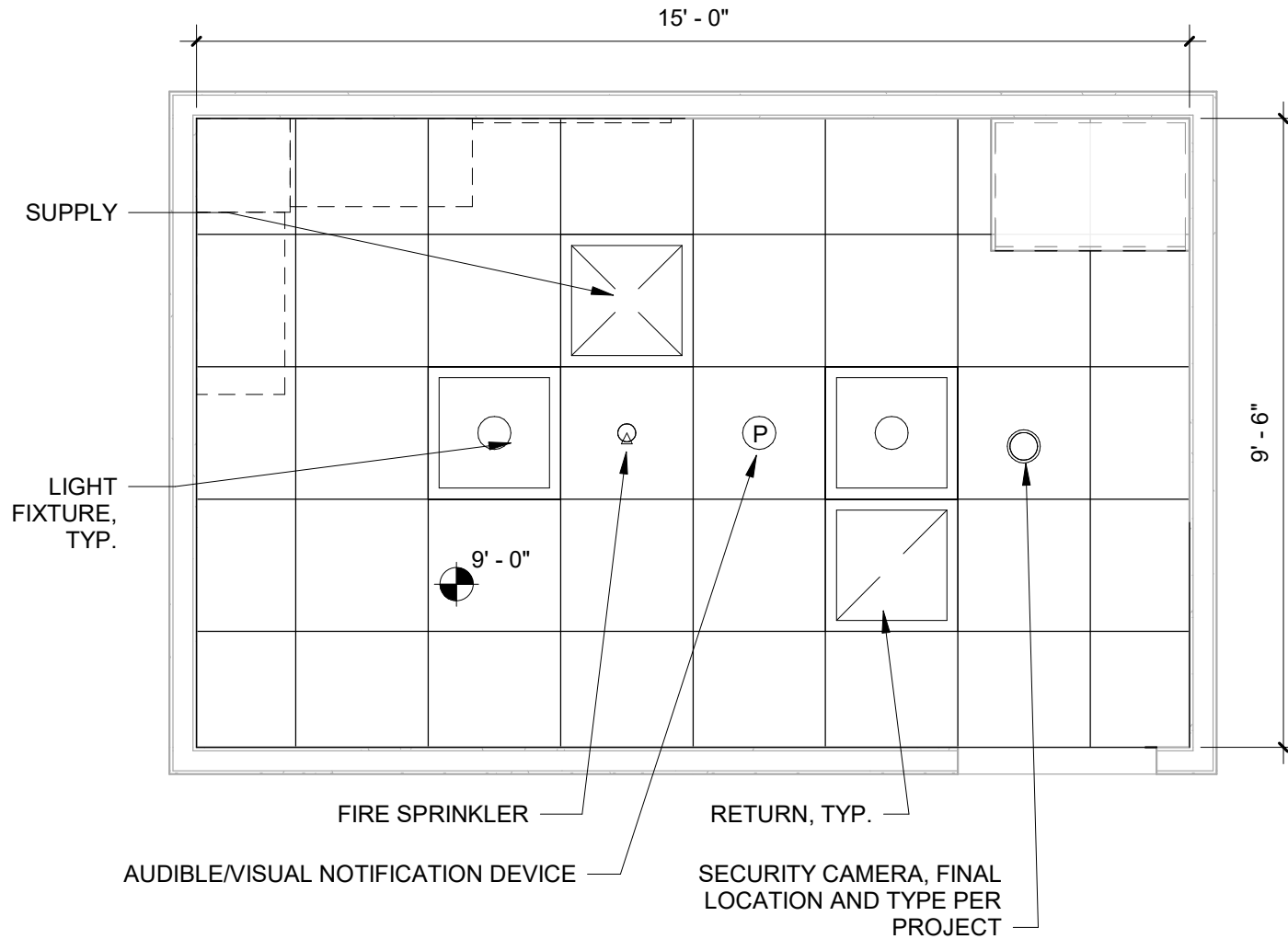
Typical 2x2 ACT ceiling.

UTSW Special RCP Considerations:

Refer to UTSW Design Guidelines to confirm light fixture types appropriate per project.

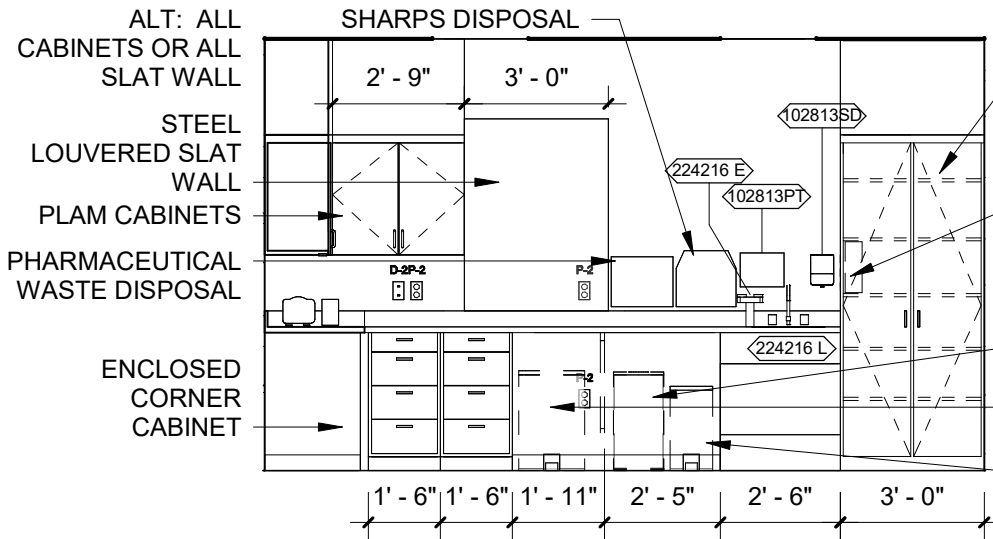
Space Design Guidelines - Basis of Design

Space: Medication Room	Department: Outpatient	Area: 143 SF
Drawing: Reflected Ceiling Plan	Drawing Scale: 3/8" = 1'-0"	Last Update: 12/20/2024

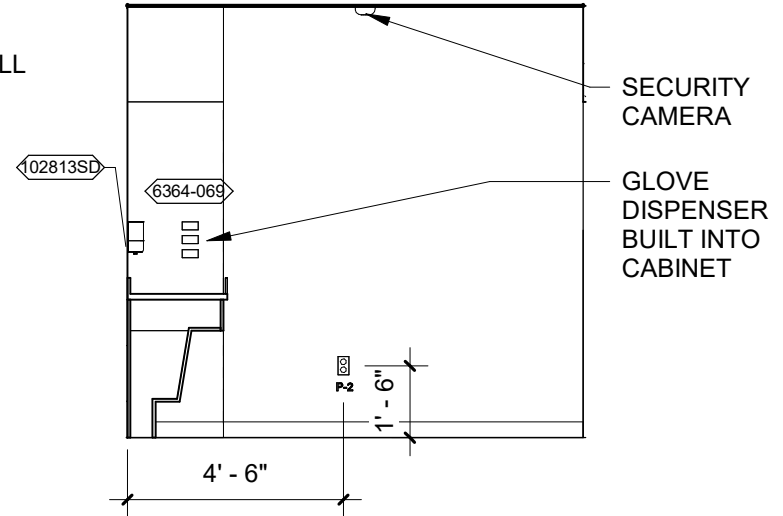


Space Design Guidelines - Basis of Design

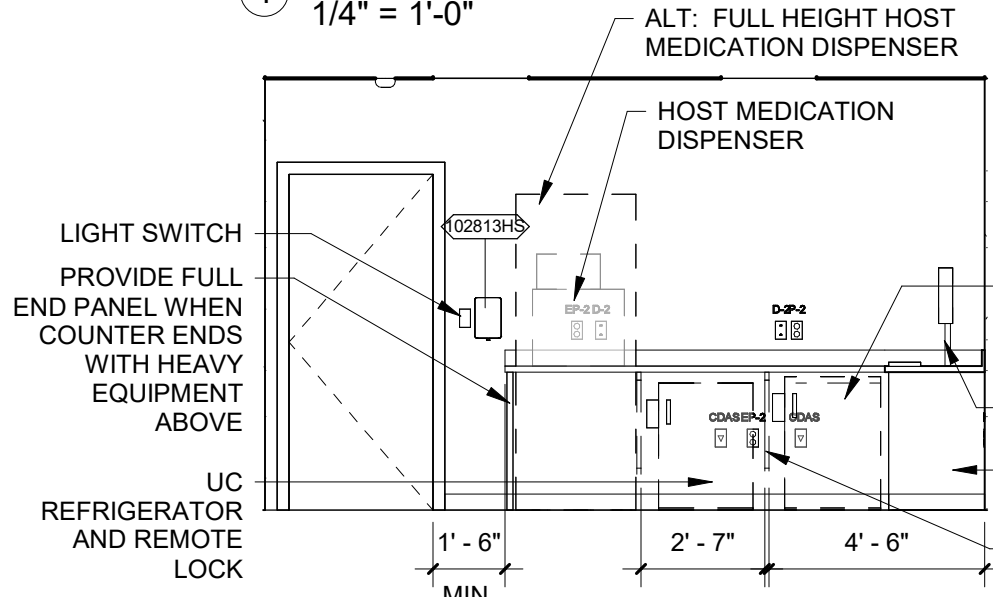
Space: Medication Room	Department: Outpatient	Area: 143 SF
Drawing: Elevations	Drawing Scale: 1/4" = 1'-0"	Last Update: 12/20/2024



1 NORTH ELEVATION
 1/4" = 1'-0"

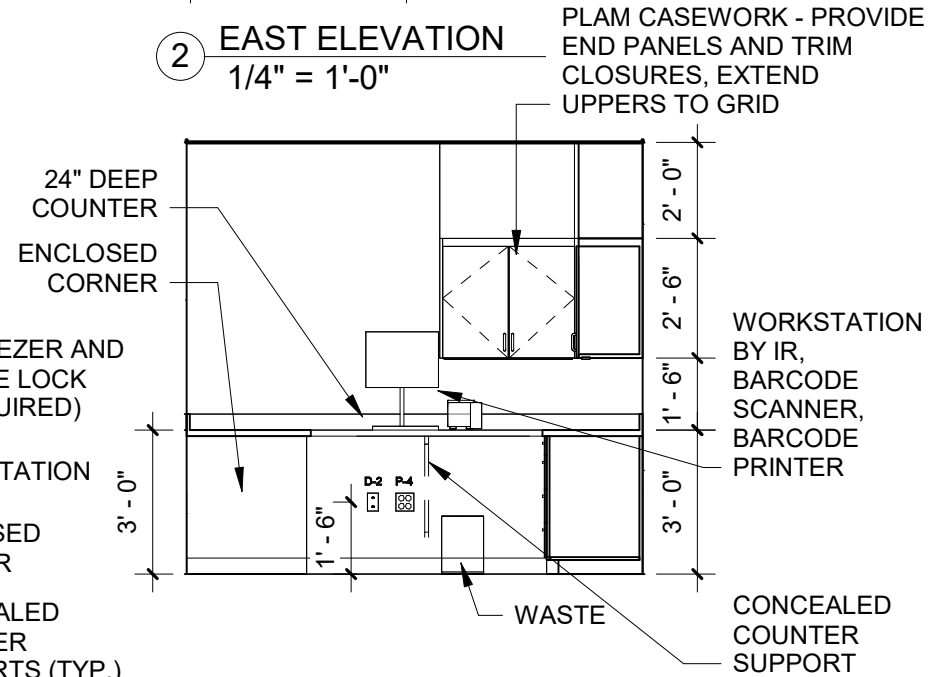


2 EAST ELEVATION
 1/4" = 1'-0"



3 SOUTH ELEVATION
 1/4" = 1'-0"

*CLEAR DIMENSIONS TO BE CONFIRMED FOR ALL EQUIPMENT



4 WEST ELEVATION
 1/4" = 1'-0"

Space Design Guidelines - Basis of Design

Space: Medication Room	Department: Outpatient	Area: 143 SF
Drawing: Component Schedule	Drawing Scale: NTS	Last Update: 12/20/2024

UTSW ID	Product / Manuf / Item	Qty	LF	Utilities								Furnish	Comments	
				1	2	3	4	5	6	7	8			
102813HS	Dispenser, Hand Sanitizer, Wall Mtd.	1		-	-	-	-	-	-	-	-	-	CFCI	*Confirm per contract/lease requirements
102813PT	Dispenser, Paper Towel, SS, Surface Mounted	1		-	-	-	-	-	-	-	-	-	CFCI	*Confirm per contract/lease requirements
102813SD	Dispenser, Soap, Disposable	1		-	-	-	-	-	-	-	-	-	CFCI	*Confirm per contract/lease requirements
113013 LF	Undercounter freezer	1		-	Y	-	-	-	-	-	-	-	OFOI	Remote lock, CDAS or RTLS, Emergency power, connected to Host Meds. Disp.
113013 LR	Undercounter refrigerator	1		-	Y	-	-	-	-	-	-	-	OFOI	Remote lock, CDAS or RTLS, Emergency power, connected to Host Meds. Disp.
124600BLK	Waste, Black	1		-	-	-	-	-	-	-	-	-	OFOI	
224216 E	Hand-held eyewash	1		Y	-	-	-	-	-	-	-	-	CFCI	Coordinate with OSBC-EHS for locations
224216 L	Sink, bottom mount, solid surface	1		Y	-	-	-	-	-	-	-	-	CFCI	
265119UC	Under cabinet lights, LED	4		-	Y	-	-	-	-	-	-	-	CFCI	
C-350229	Clinical Workstation with Monitor	1		-	Y	-	-	-	-	Y	-	-	OFOI	
C-368559	Hand Scanner	1		-	Y	-	-	-	-	-	-	-	OFOI	
PHMWST	Pharmaceutical Waste Disposal, Surface Mounted	1		-	Y	-	-	-	-	-	-	-	OFOI	
PRNT-BAR	Barcode printer	1		-	Y	-	-	-	-	-	-	-	OFOI	
PxMS	Host Medication Dispenser (countertop)	1		-	Y	-	-	-	-	Y	-	-	OFOI	Emergency power, connections to freezer and refrigerator
PxMS4	Host Medication Dispenser (full height)	1		-	Y	-	-	-	-	Y	-	-	OFOI	Emergency power, connections to freezer and refrigerator
RM-SGN	Room Sign, Per Standards	1		-	-	-	-	-	-	-	-	-	CFCI	Location confirmed by UTSW PM and UTSW sign shop
SCCAM	Security Camera, Ceiling Mtd	1		-	Y	-	-	-	-	Y	-	-	CFCI	Location, quantity, and type to be confirmed per project.

Utilities Key

- | | |
|-------------------------------------|----------------------------------|
| 1. Water / Drain - 1 sink and drain | 5. Non MedGas |
| 2. Electricity - Standard power | 6. Vacuum |
| 3. MedGas | 7. Data - Data and clinical data |
| 4. Misc Gas | 8. Misc. |

Furnish Key

- OFOI - Owner Furnished, Owner Installed
 OFVI - Owner Furnished, Vendor Installed
 OFCI - Owner Furnished, Contractor Installed
 CFCI - Contractor Furnished, Contractor Installed

Space Design Guidelines - Basis of Design

Space: Medication Room	Department: Outpatient	Area: 143 SF
Drawing: Data/Power Schedule	Drawing Scale: NTS	Last Update: 12/20/2024

Electrical Fixtures

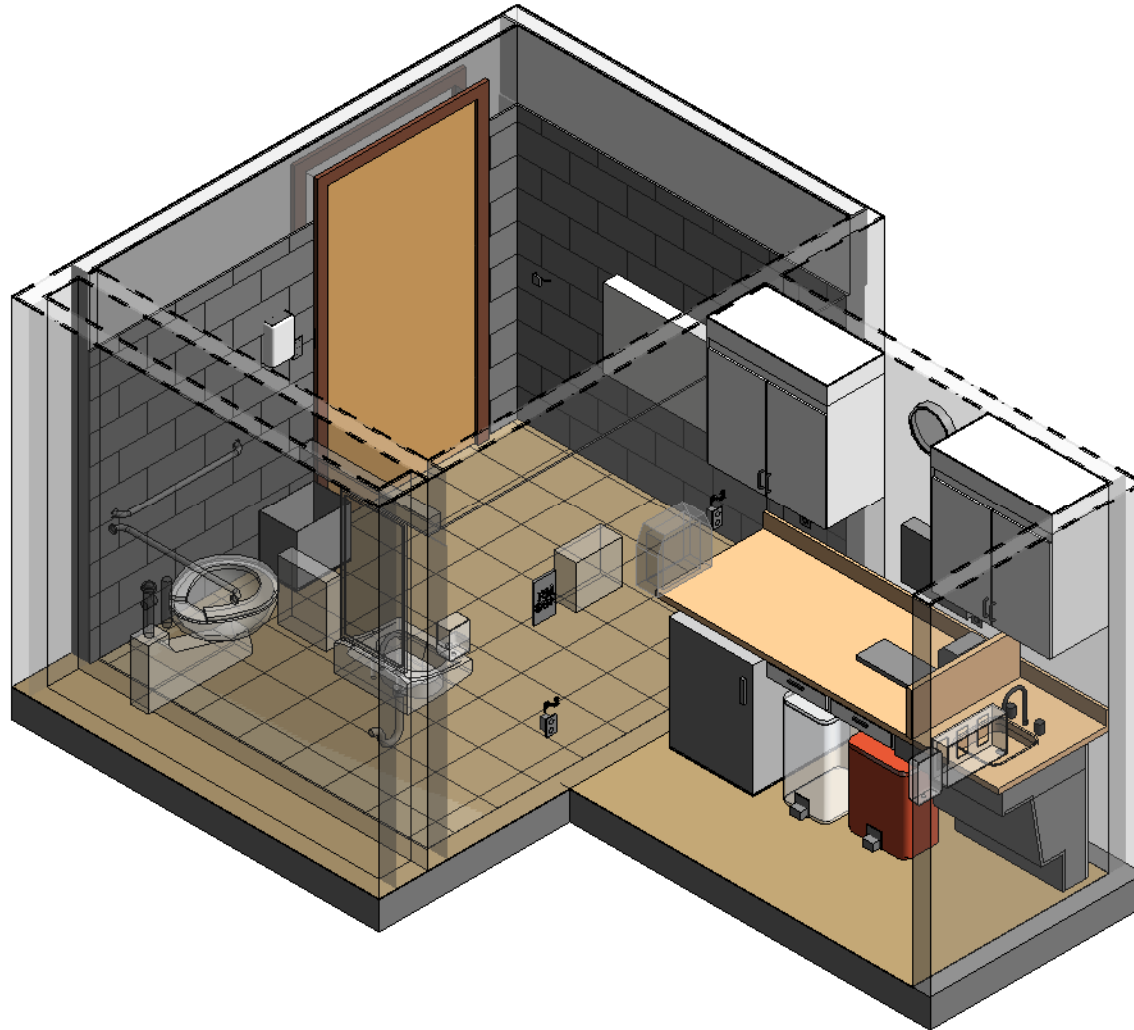
USTW ID	Item	Qty.
CDAS	CDAS Connection	2
EP-2	Emergency Power - Duplex - 120 V	2
P-2	Power - Duplex - 120 V	5
P-4	Power - Quad - 120V	1
SGB	Single gang Box - Card Reader	1

Data Fixtures

UTSW ID	Item	Qty
D-2	Data - 2	4

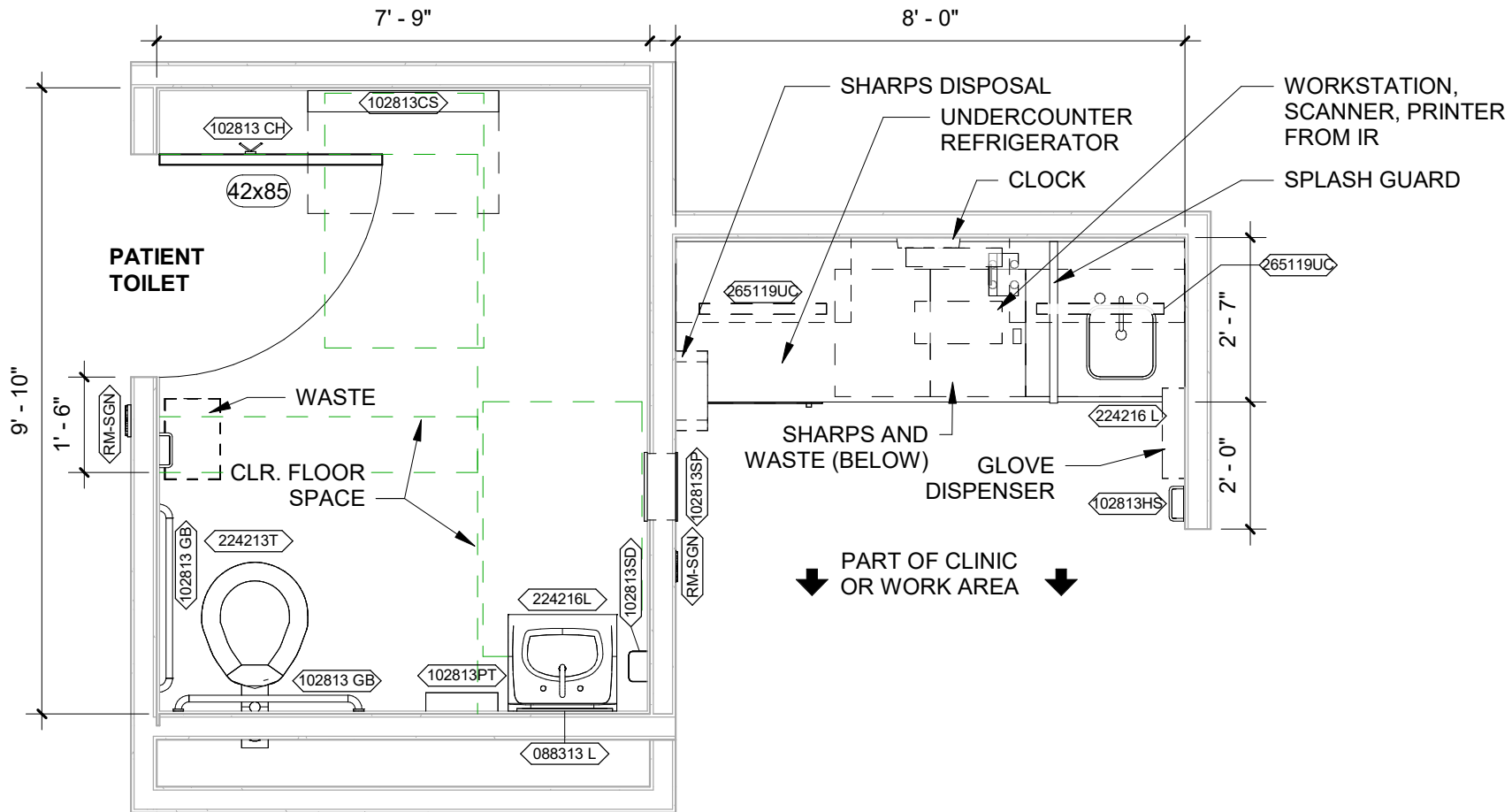
Space Design Guidelines - Basis of Design

Space:	POC Lab (ALCOVE)	Department:	Outpatient	Area:	POC Lab: 36 SF	Toilet: 75 SF
Drawing:	Room Isometric	Drawing Scale:	NTS	Last Update:	12/20/2024	



Space Design Guidelines - Basis of Design

Space: POC Lab (ALCOVE)	Department: Outpatient	Area: POC Lab: 36 SF Toilet: 75 SF
Drawing: Floor Plan	Drawing Scale: 3/8" = 1'-0"	Last Update: 12/20/2024



Space Design Guidelines - Basis of Design

Space: POC Lab (ALCOVE)	Department: Outpatient	Area: POC Lab: 36 SF	Toilet: 75 SF
Drawing: Space Notes	Drawing Scale: NTS	Last Update: 12/20/2024	

Plan Space Narrative:

Information provided shall be confirmed with UTSW PM.

Furnish assignments shall be confirmed by the UTSW PM. Entity furnishing paper towel and soap dispensers shall be confirmed per project location and lease requirements.

Dashed equipment is specified per project by UTSW

Items noted with symbol are shown on the Component Schedule

Location of changing table cannot create a protruding object or project into required clearances of other elements. Changing table shall be installed to provide a minimum knee space of 27" AFF, maximum top surface of the table at 34" AFF, and controls at a maximum height of 48" AFF. Provide clear floor space, forward approach of 20" x 40".

Patient toilet design preference is for 42" wide outswinging doors. If not possible, provide rescue hardware.

UTSW Special Plan Considerations:

- | | |
|--|--|
| POC: Flooring: LVT | TLT: Tile *Ensure smooth transition without bump |
| POC: Base: Rubber Base | TLT: Tile |
| POC: Ceiling: 2x2 ACT | TLT: Epoxy paint |
| POC: Walls: Paint | TLT: Tile, Epoxy paint |
| POC: Casework: Plastic Laminate, extend upper casework to ceiling grid | |
| POC: Countertops: Solid Surface | |

Blocking (BLKG) by GC shall be coordinated prior to installation.

RCP Space Narrative:

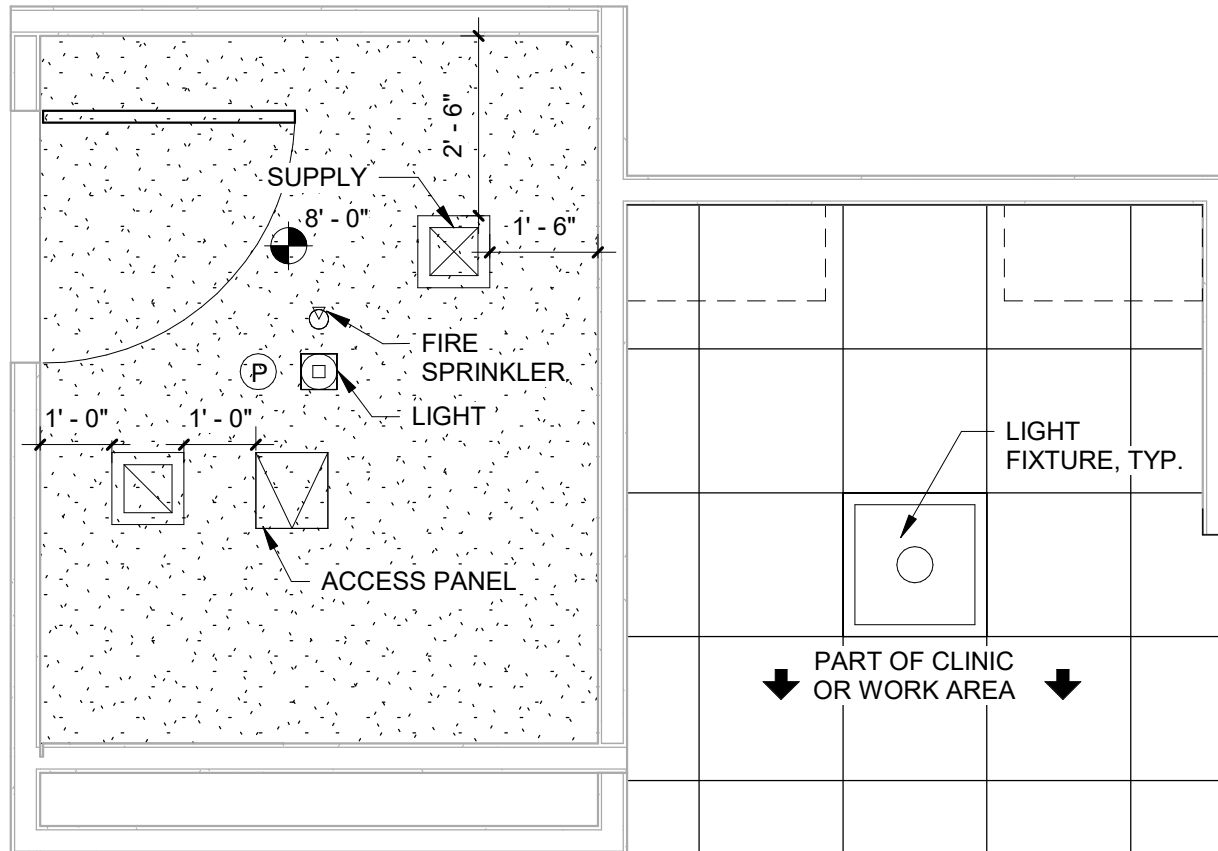
Fire and life safety elements will be designed and laid out per project requirements.

UTSW Special RCP Considerations:

Refer to UTSW Design Guidelines to confirm light fixture types appropriate per project.

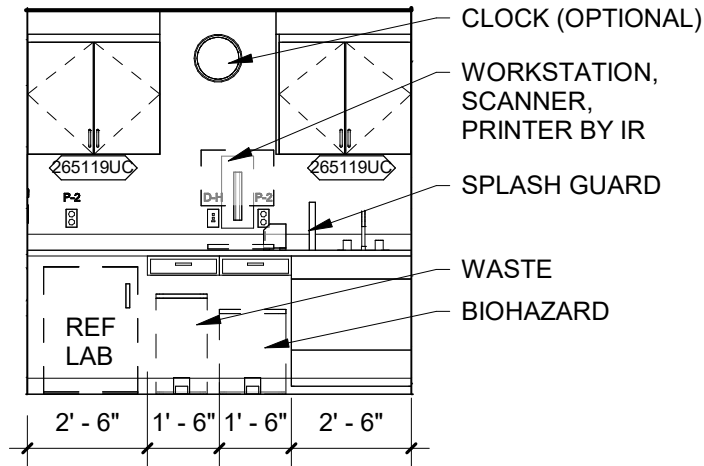
Space Design Guidelines - Basis of Design

Space: POC Lab (ALCOVE)	Department: Outpatient	Area: POC Lab: 36 SF Toilet: 75 SF
Drawing: Reflected Ceiling Plan	Drawing Scale: 3/8" = 1'-0"	Last Update: 12/20/2024

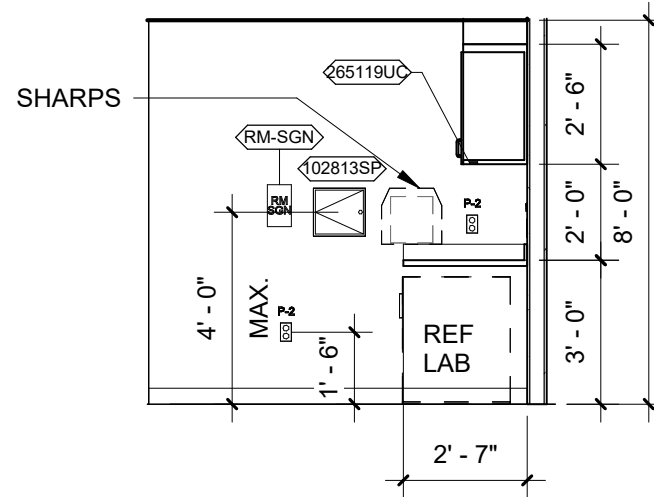


Space Design Guidelines - Basis of Design

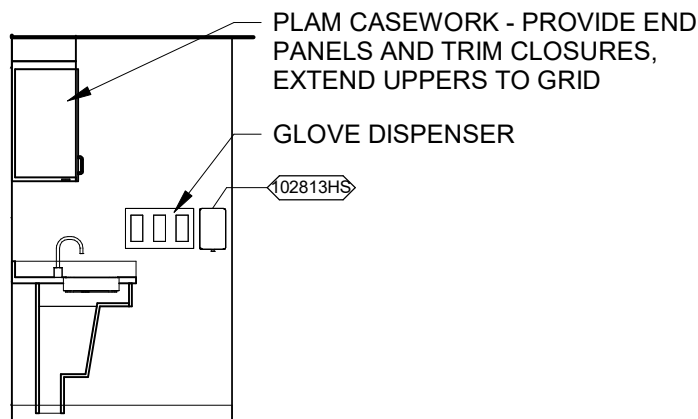
Space: POC Lab (ALCOVE)	Department: Outpatient	Area: POC Lab: 36 SF Toilet: 75 SF
Drawing: Elevations	Drawing Scale: 1/4" = 1'-0"	Last Update: 12/20/2024



① NORTH ELEVATION
 1/4" = 1'-0"



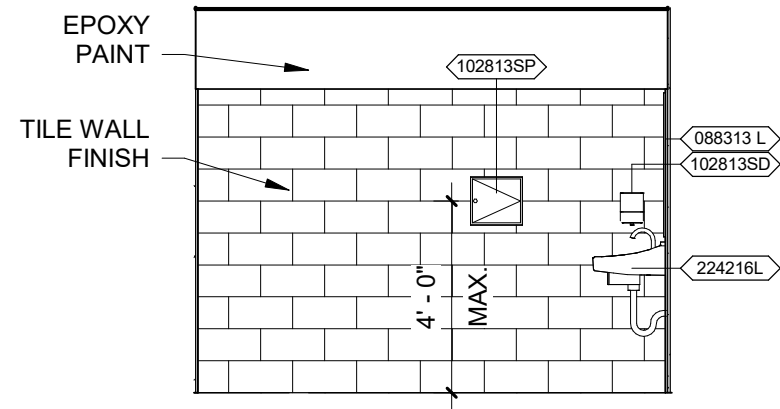
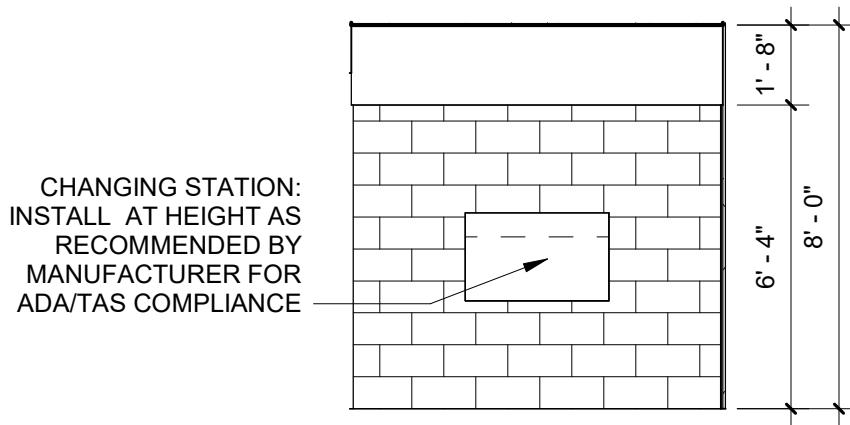
② WEST ELEVATION
 1/4" = 1'-0"



③ EAST ELEVATION
 1/4" = 1'-0"

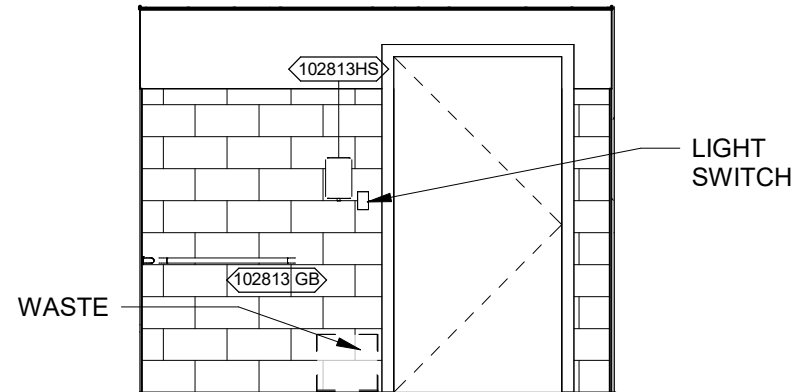
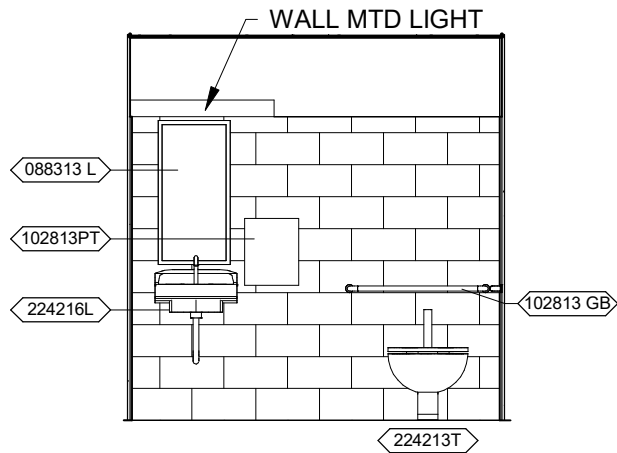
Space Design Guidelines - Basis of Design

Space: POC Lab (ALCOVE)	Department: Outpatient	Area: POC Lab: 36 SF Toilet: 75 SF
Drawing: Toilet Elevations	Drawing Scale: 1/4" = 1'-0"	Last Update: 12/20/2024



① TOILET - NORTH ELEVATION
 1/4" = 1'-0"

② TOILET - EAST ELEVATION
 1/4" = 1'-0"



③ TOILET - SOUTH ELEVATION
 1/4" = 1'-0"

④ TOILET - WEST ELEVATION
 1/4" = 1'-0"

Space Design Guidelines - Basis of Design

Space: POC Lab (ALCOVE)	Department: Outpatient	Area: POC Lab: 36 SF Toilet: 75 SF
Drawing: Component Schedule	Drawing Scale: NTS	Last Update: 12/20/2024

UTSW ID	Product / Manuf / Item	Qty	LF	Utilities								Furnish	Comments	
				1	2	3	4	5	6	7	8			
088313 L	Mirror, Float Glass, With SS Frame	1		-	-	-	-	-					CFCI	
102813 CH	Hook, Garment, Double, SS, Surface Mounted	1		-	-	-	-	-	-	-	-	-	CFCI	
102813 GB	Grab Bar, 1-1/4" Dia., SS, 2 Wall, W/C Accessible	2		-	-	-	-	-					CFCI	
102813CS	Diaper Changing Station, Surface Mounted	1		-	-	-	-	-	-	-	-	-	CFCI	Mounting height to comply with ADA/TAS requirements
102813HS	Dispenser, Hand Sanitizer, Wall Mtd.	2		-	-	-	-	-	-	-	-	-	CFCI	*Confirm per contract/lease requirements
102813PT	Dispenser, Paper Towel, SS, Auto/Recessed	1		-	-	-	-	-	-	-	-	-	CFCI	*Confirm per contract/lease requirements
102813SD	Dispenser, Soap, Disposable	1		-	-	-	-	-	-	-	-	-	CFCI	*Confirm per contract/lease requirements
102813SP	Specimen Pass-Through, SS, In-wall mounted	1		-	-	-	-	-	-	-	-	-	CFCI	Confirm model to match wall thickness
113013 LR	Undercounter laboratory refrigerator	1		-	Y	-	-	-	-	Y	-	-	OFOI	
224213T	Toilet, Vitreous China, Slab Type	1		Y	-	-	-	-	-	-	-	-	CFCI	
224216 L	Sink, bottom mount, solid surface	1		Y	-	-	-	-	-	-	-	-	CFCI	
224216L	Lavatory, Vitreous China, Slab Type	1		Y	-	-	-	-	-	-	-	-	CFCI	Includes pipe insulation
265119UC	Under cabinet lights, LED	2		-	Y	-	-	-	-	-	-	-	CFCI	
IR	Track and Bracket	1		-	-	-	-	-	-	-	-	-	OFOI	Install blocking behind track starting at least 4" above and below track. Locate bottom of track 1" above top of backsplash.
RM-SGN	Room Sign, Per Standards	2		-	-	-	-	-	-	-	-	-	CFCI	Location confirmed by UTSW PM and UTSW sign shop
Waste - Biohazard	Step on biohazard waste	1		-	-	-	-	-	-	-	-	-	OFOI	
Waste - Step	Step on waste	1		-	-	-	-	-	-	-	-	-	OFOI	

Utilities Key

- | | |
|-------------------------------------|----------------------------------|
| 1. Water / Drain - 1 sink and drain | 5. Non MedGas |
| 2. Electricity - Standard power | 6. Vacuum |
| 3. MedGas | 7. Data - Data and clinical data |
| 4. Misc Gas | 8. Misc. |

Furnish Key

- OFOI - Owner Furnished, Owner Installed
 OFVI - Owner Furnished, Vendor Installed
 OFCI - Owner Furnished, Contractor Installed
 CFCI - Contractor Furnished, Contractor Installed

Space Design Guidelines - Basis of Design

Space: POC Lab (ALCOVE)	Department: Outpatient	Area: POC Lab: 36 SF Toilet: 75 SF
Drawing: Data/Power Schedule	Drawing Scale: NTS	Last Update: 12/20/2024

Electrical Fixtures

USTW ID	Item	Qty.
P-2	Power - Duplex - 120 V	4

Data Fixtures

UTSW ID	Item	Qty
D-H	Data - Qty 2, USB - Qty 1	1

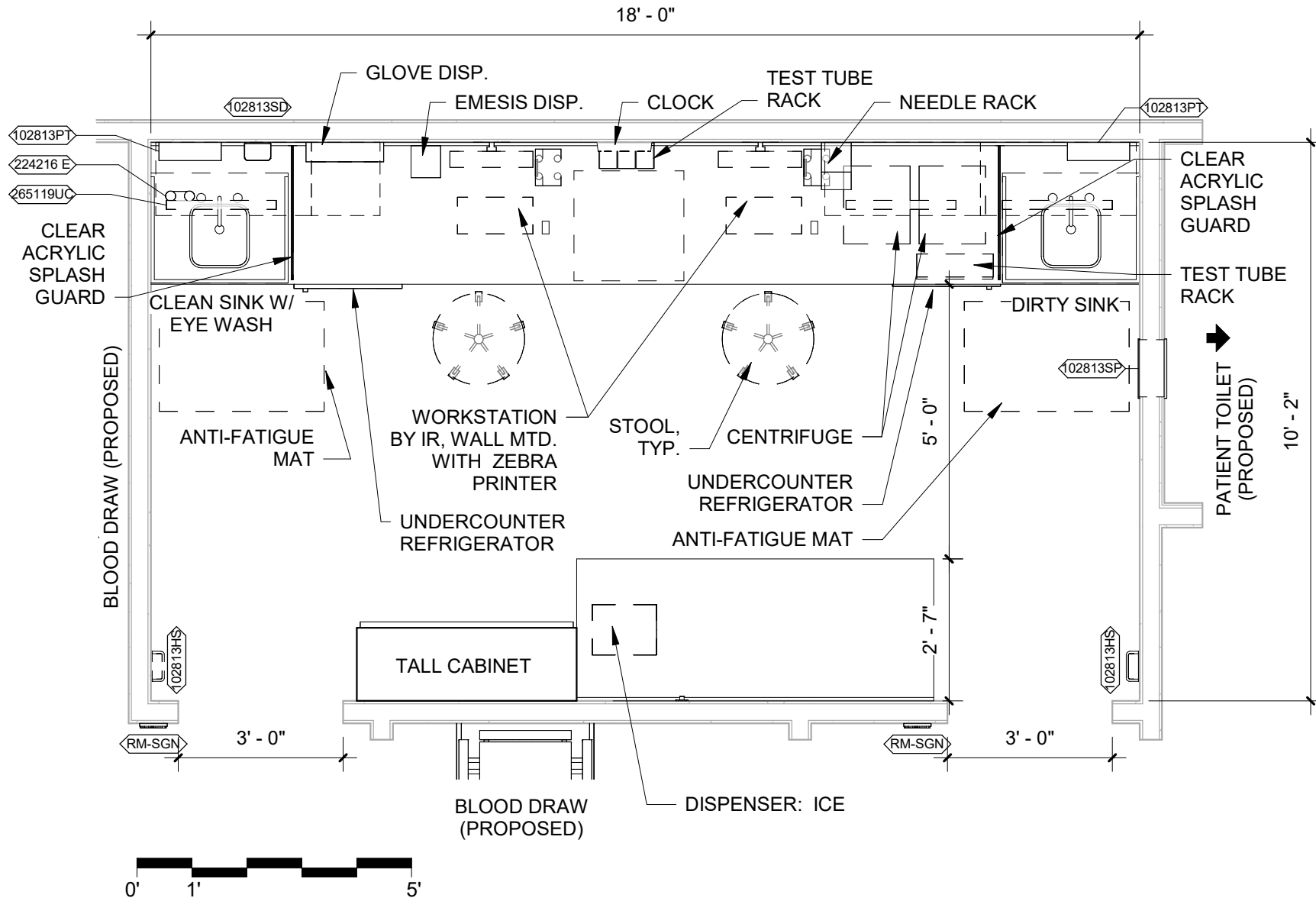
Space Design Guidelines - Basis of Design

Space:	Processing Lab	Department:	Outpatient	Area:	121 SF
Drawing:	Room Isometric	Drawing Scale:	NTS	Last Update:	12/20/2024



Space Design Guidelines - Basis of Design

Space: Processing Lab	Department: Outpatient	Area: 121 SF
Drawing: Floor Plan	Drawing Scale: 3/8" = 1'-0"	Last Update: 12/20/2024



Space Design Guidelines - Basis of Design

Space: Processing Lab	Department: Outpatient	Area: 121 SF
Drawing: Space Notes	Drawing Scale: NTS	Last Update: 12/20/2024

Plan Space Narrative:

Information provided shall be confirmed with UTSW PM.

Furnish assignments shall be confirmed by the UTSW PM. Entity furnishing paper towel and soap dispensers shall be confirmed per project location and lease requirements.

Dashed equipment is specified per project by UTSW

Items noted with symbol are shown on the Component Schedule

Location of sharps container shown in this guideline shall be reviewed and approved by HSA (Health Systems Affairs)

Confirm requirements for emergency power or back-up power. Refrigerator requires CDAS and back-up power.

UTSW Special Plan Considerations:

Flooring: LVT

Base: Rubber Base

Ceiling: 2x2 ACT

Walls: Paint

Casework: Plastic Laminate, extend upper casework to ceiling grid

Countertops: Solid Surface

Blocking (BLKG) by GC shall be coordinated prior to installation.

RCP Space Narrative:

Fire and life safety elements will be designed and laid out per project requirements.

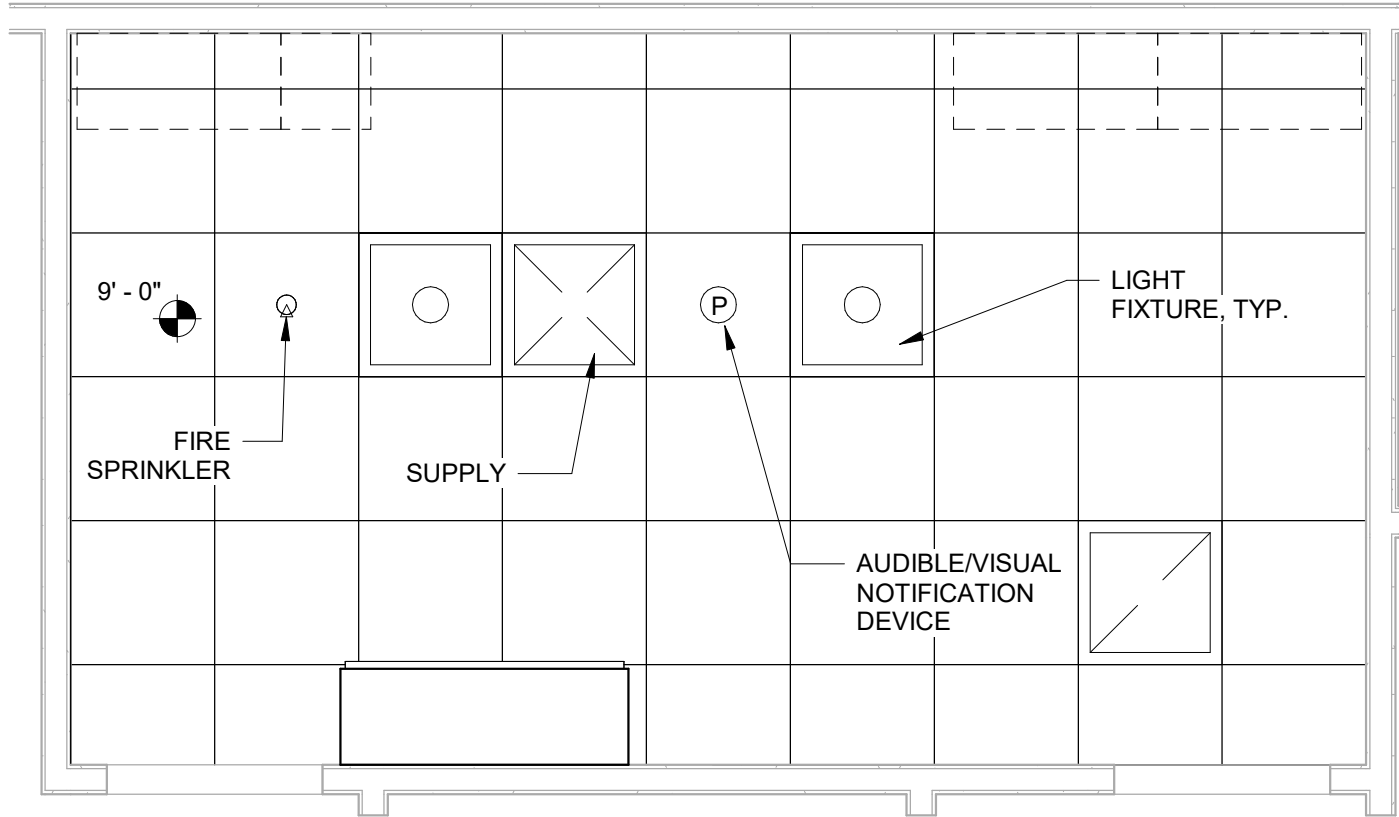
Typical 2x2 ACT ceiling.

UTSW Special RCP Considerations:

Refer to UTSW Design Guidelines to confirm light fixture types appropriate per project.

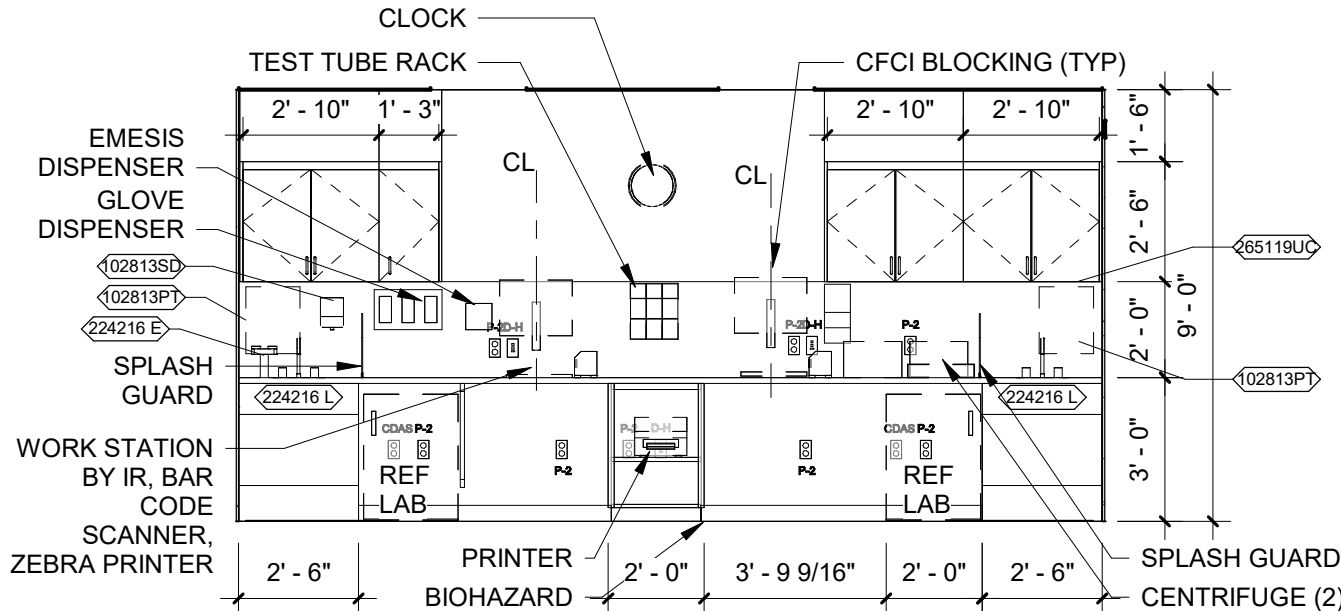
Space Design Guidelines - Basis of Design

Space: Processing Lab	Department: Outpatient	Area: 121 SF
Drawing: Reflected Ceiling Plan	Drawing Scale: 3/8" = 1'-0"	Last Update: 12/20/2024

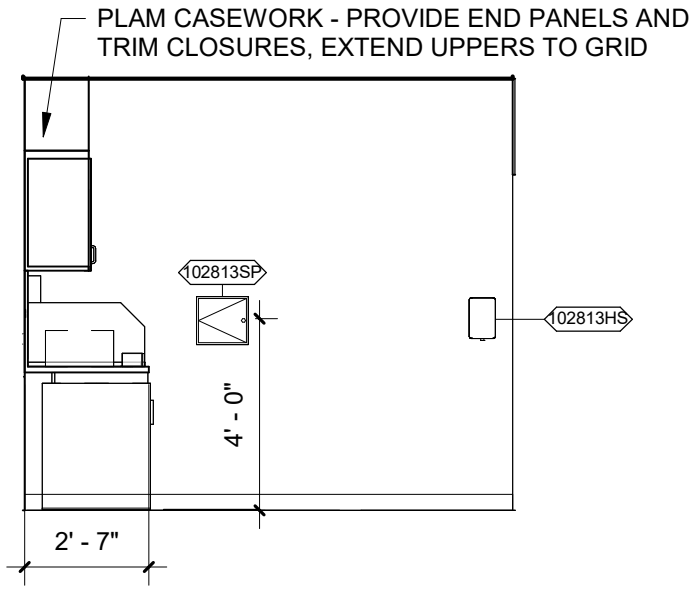


Space Design Guidelines - Basis of Design

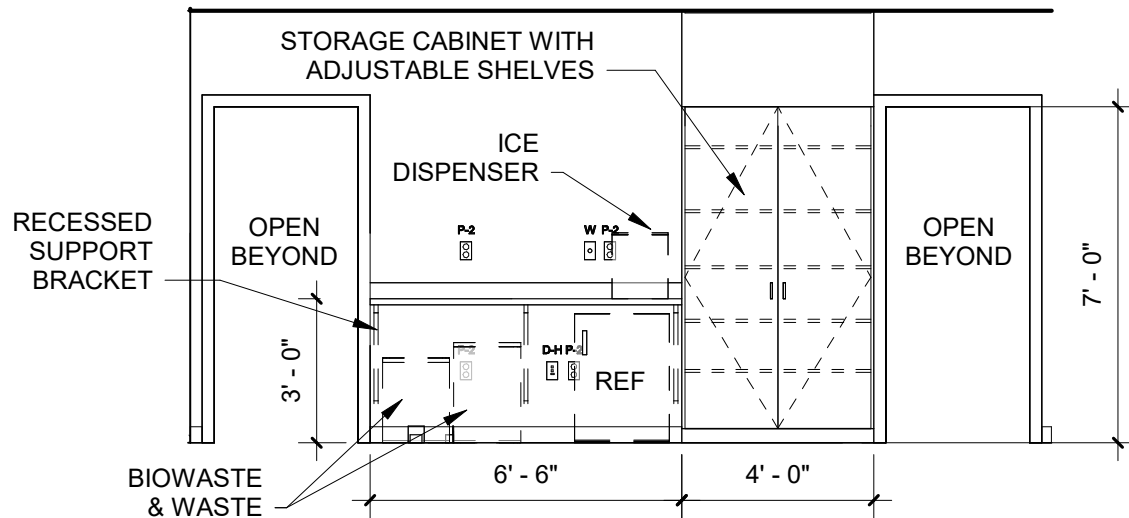
Space: Processing Lab	Department: Outpatient	Area: 121 SF
Drawing: Elevations	Drawing Scale: 1/4" = 1'-0"	Last Update: 12/20/2024



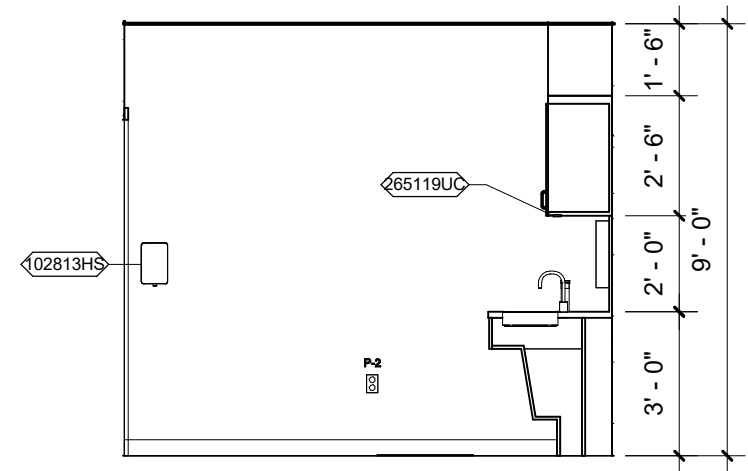
① **PROCESSING LAB - NORTH ELEVATION**
 1/4" = 1'-0"



② **PROCESSING LAB - EAST ELEVATION**
 1/4" = 1'-0"



③ **PROCESSING LAB - SOUTH ELEVATION**
 1/4" = 1'-0"



④ **PROCESSING LAB - WEST ELEVATION**
 1/4" = 1'-0"

Space Design Guidelines - Basis of Design

Space: Processing Lab	Department: Outpatient	Area: 121 SF
Drawing: Component Schedule	Drawing Scale: NTS	Last Update: 12/20/2024

UTSW ID	Product / Manuf / Item	Qty	LF	Utilities								Furnish	Comments	
				1	2	3	4	5	6	7	8			
4414-052	Stool, Self Adjustin	2		-	-	-	-	-	-	-	-	-	OFOI	
4917-062	Dispenser - Ice	1		Y	Y	-	-	-	-	-	-	-	OFOI	
5409-048	Ergonomic floor mat, 2' x 3'	2		-	-	-	-	-	-	-	-	-	OFOI	
7859-008	Test Tube Rack	2		-	-	-	-	-	-	-	-	-	OFOI	
102813HS	Dispenser, Hand Sanitizer, Wall Mtd.	2		-	-	-	-	-	-	-	-	-	CFCI	*Confirm contract/lease requirements
102813PT	Dispenser, Paper Towel, SS, Auto/Recessed	2		-	-	-	-	-	-	-	-	-	CFCI	*Confirm contract/lease requirements
102813SD	Dispenser, Soap, Disposable	1		-	-	-	-	-	-	-	-	-	CFCI	*Confirm contract/lease requirements
102813SP	Specimen Pass-Through, SS, In-wall mounted	1		-	-	-	-	-	-	-	-	-	CFCI	
113013 LR	Undercounter laboratory refrigerator	2		-	Y	-	-	-	-	-	-	-	OFOI	
113013 R	Undercounter refrigerator	1		-	Y	-	-	-	-	-	-	-	OFOI	
224216 E	Hand-held eyewash	1		Y	-	-	-	-	-	-	-	-	CFCI	Deck mounted
224216 L	Sink, bottom mount, solid surface	2		Y	-	-	-	-	-	-	-	-	CFCI	
265119UC	Under cabinet lights, LED	3		-	Y	-	-	-	-	-	-	-	CFCI	
C-350229	IR Clinical Workstation	2		-	Y	-	-	-	-	Y	-	-	OFOI	
CTRF	Centrifuge	2		-	Y	-	-	-	-	-	-	-	OFOI	
F3200	Clock	1		-	-	-	-	-	-	-	-	-	OFOI	
GLVDP	3 Box Glove Dispenser	1		-	-	-	-	-	-	-	-	-	OFOI	

Utilities Key

- | | |
|-------------------------------------|----------------------------------|
| 1. Water / Drain - 1 sink and drain | 5. Non MedGas |
| 2. Electricity - Standard power | 6. Vacuum |
| 3. MedGas | 7. Data - Data and clinical data |
| 4. Misc Gas | 8. Misc. |

Furnish Key

- OFOI - Owner Furnished, Owner Installed
- OFVI - Owner Furnished, Vendor Installed
- OFCI - Owner Furnished, Contractor Installed
- CFCI - Contractor Furnished, Contractor Installed

Space Design Guidelines - Basis of Design

Space: Processing Lab	Department: Outpatient	Area: 121 SF
Drawing: Component Schedule	Drawing Scale: NTS	Last Update: 12/20/2024

UTSW ID	Product / Manuf / Item	Qty	LF	Utilities								Furnish	Comments	
				1	2	3	4	5	6	7	8			
IR	Track and Bracket	2		-	-	-	-	-	-	-	-	-	OFOI	Install blocking behind track starting at least 4" above and below track. Locate bottom of track 1" above top of backsplash.
M1830	Printer, Label, Pharmacy	3		-	Y	-	-	-	-	-	-	-	OFOI	
MedEquip	Emesis Bag, Wall Mount	1		-	-	-	-	-	-	-	-	-	OFOI	
ML03090	Needle Dispenser, Wall	1		-	-	-	-	-	-	-	-	-	OFOI	
RM-SGN	Room Sign, Per Standards	2		-	-	-	-	-	-	-	-	-	CFCI	Location confirmed by UTSW PM and UTSW sign shop
Step on Waste	Step on Waste	1		-	-	-	-	-	-	-	-	-	OFOI	
WASTE	Step on Waste	1		-	-	-	-	-	-	-	-	-	OFOI	

Utilities Key

- | | |
|-------------------------------------|----------------------------------|
| 1. Water / Drain - 1 sink and drain | 5. Non MedGas |
| 2. Electricity - Standard power | 6. Vacuum |
| 3. MedGas | 7. Data - Data and clinical data |
| 4. Misc Gas | 8. Misc. |

Furnish Key

- OFOI - Owner Furnished, Owner Installed
 OFVI - Owner Furnished, Vendor Installed
 OFCI - Owner Furnished, Contractor Installed
 CFCI - Contractor Furnished, Contractor Installed

Space Design Guidelines - Basis of Design

Space: Processing Lab	Department: Outpatient	Area: 121 SF
Drawing: Data/Power Schedule	Drawing Scale: NTS	Last Update: 12/20/2024

Electrical Fixtures

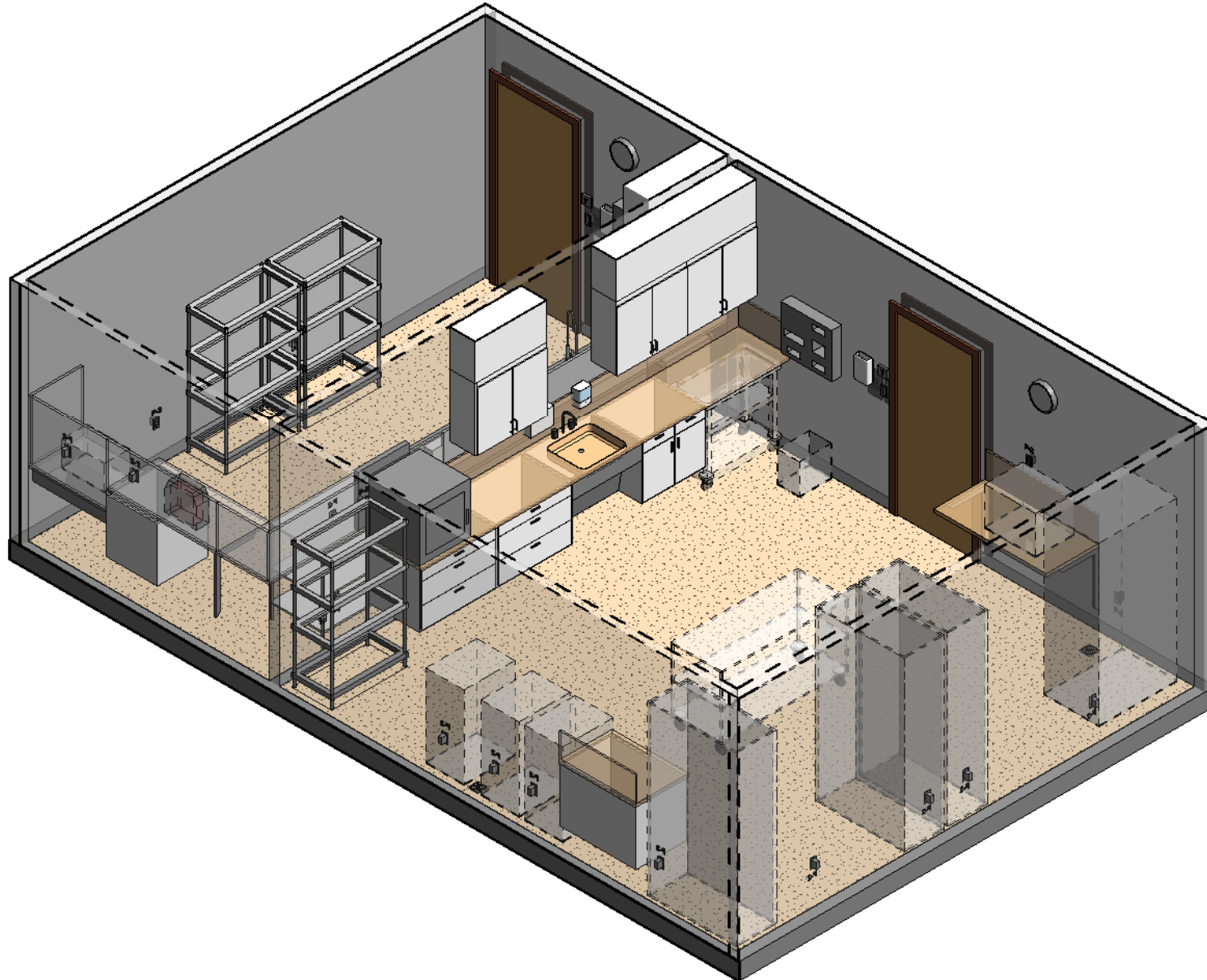
USTW ID	Item	Qty.
CDAS	CDAS connection	2
P-2	Power - Duplex - 120 V	15

Data Fixtures

UTSW ID	Item	Qty
D-H	Data - Qty 2, USB - Qty 1	6

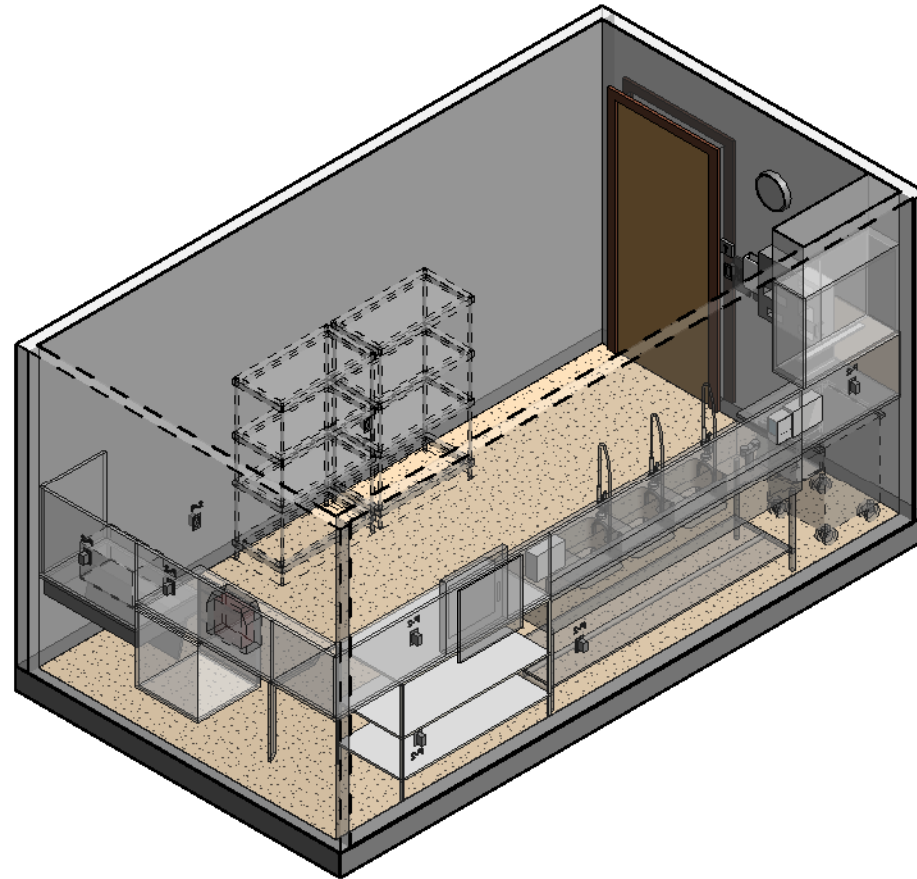
Space Design Guidelines - Basis of Design

Space:	Instrument Processing	Department:	Outpatient	Area:	540 SF
Drawing:	Room Isometric	Drawing Scale:	NTS	Last Update:	12/20/2024



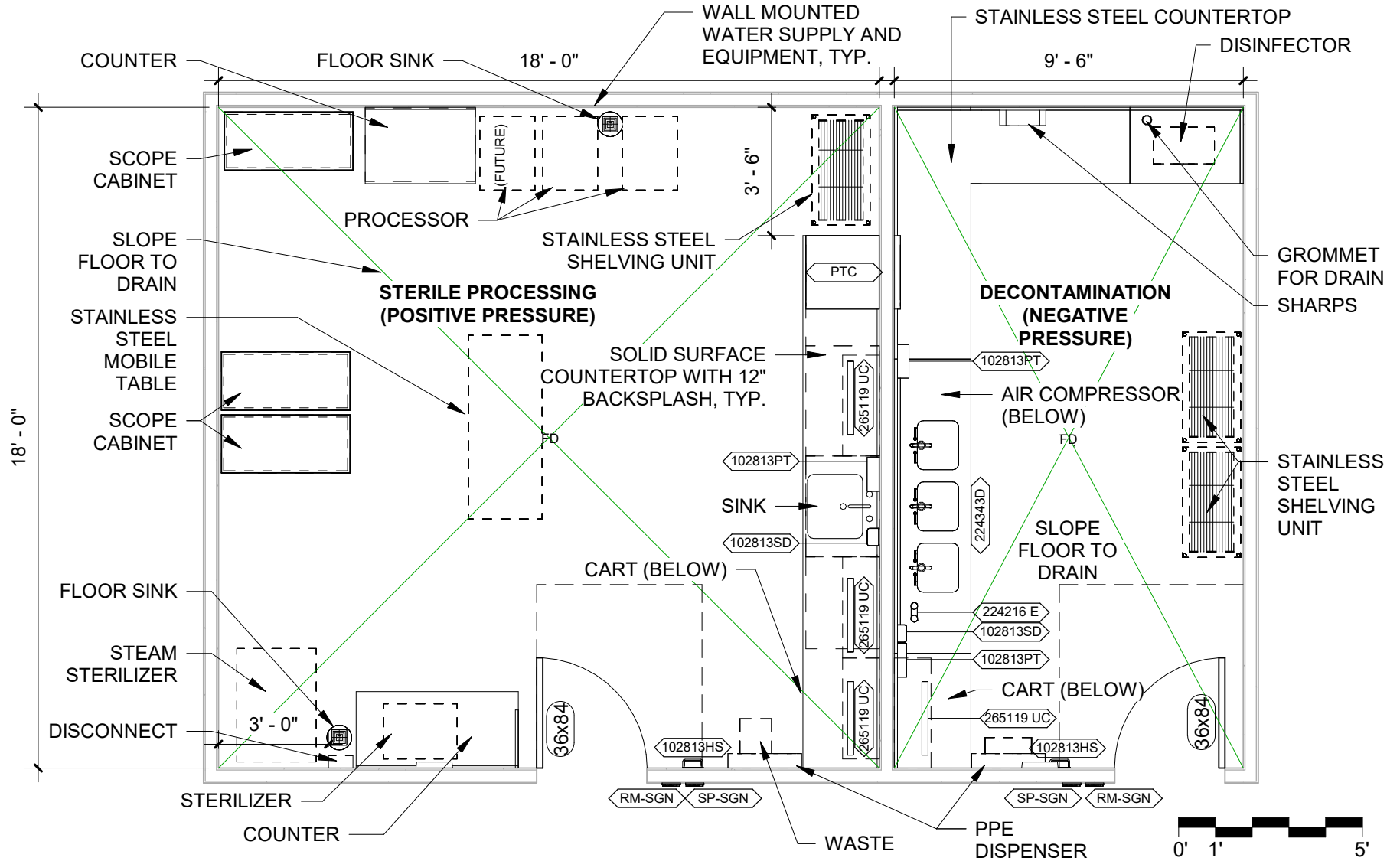
Space Design Guidelines - Basis of Design

Space:	Instrument Processing	Department:	Outpatient	Area:	540 SF
Drawing:	Room Isometric Decontamination	Drawing Scale:	NTS	Last Update:	12/20/2024



Space Design Guidelines - Basis of Design

Space: Instrument Processing	Department: Outpatient	Area: 540 SF
Drawing: Floor Plan	Drawing Scale: 1/4" = 1'-0"	Last Update: 12/20/2024



Space Design Guidelines - Basis of Design

Space:	Instrument Processing	Department:	Outpatient	Area:	540 SF
Drawing:	Space Notes	Drawing Scale:	NTS	Last Update:	12/20/2024

Plan Space Narrative:

Information provided shall be confirmed with UTSW PM.

Furnish assignments shall be confirmed by the UTSW PM. Entity furnishing paper towel and soap dispensers shall be confirmed per project location and lease requirements.

Dashed equipment is specified per project by UTSW

Items noted with symbol are shown on the Component Schedule

Location of sharps container shown in this guideline shall be reviewed and approved by HSA (Health Systems Affairs)

UTSW Special Plan Considerations:

Flooring:	Sterile: Epoxy	Decontamination: Epoxy
Base:	Sterile: Epoxy, Coved	Decontamination: Epoxy, Coved
Ceiling:	Sterile: GYP, Epoxy Paint	Decontamination: GYP, Epoxy Paint
Walls:	Sterile: Epoxy Paint	Decontamination: Epoxy Paint
Casework:	Sterile: Plastic Laminate	Decontamination: Stainless Steel
Countertops:	Sterile: Solid Surface	Decontamination: Stainless Steel

Blocking (BLKG) by GC shall be coordinated prior to installation.

Requirements for space, MEP and finishes shall comply with the Association for the Advancement of Medical Instrumentation (AAMI) and FGI, as confirmed by UTSW User Representative and UTSW PM.

Mechanical, ventilation and exhausting requirements shall comply with AAMI, including temperature and humidity ranges. Clean room to have positive pressure, decontamination room to have negative pressure and to be exhausted outdoors. Pass-through cabinet shall maintain pressure requirements.

Drawing shows 3-sink stainless steel decontamination unit but 2 sinks may be appropriate dependent on specific project requirements. Unit shall include sprayers and other standard components.

Water quality serving the space shall be investigated to confirm correct processing required to maintain equipment.

Floors shall have minimum 1/8" per 12" slope to drain.

For any project that requires the use of carts, confirm requirements for providing cart wash at the facility.

RCP Space Narrative:

Fire and life safety elements will be designed and laid out per project requirements.

Gypsum ceiling with all fixtures flush and enclosed. Access panels shall be located to easily service above ceiling components per project specific design.

Lighting levels shall meet or exceed IES recommendations for work areas.

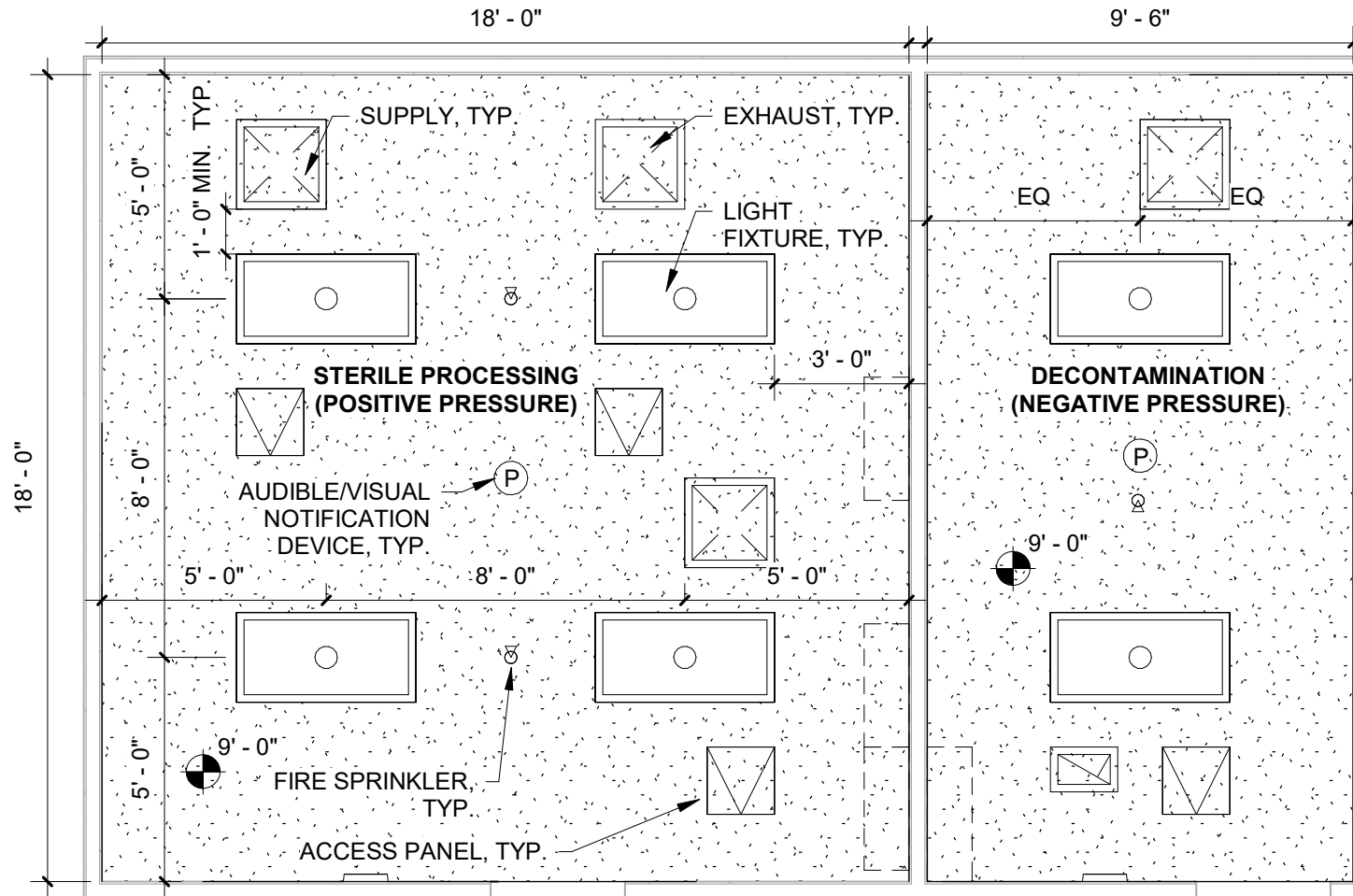
UTSW Special RCP Considerations:

Refer to UTSW Design Guidelines to confirm light fixture types appropriate per project.

Under cabinet lights at upper cabinets.

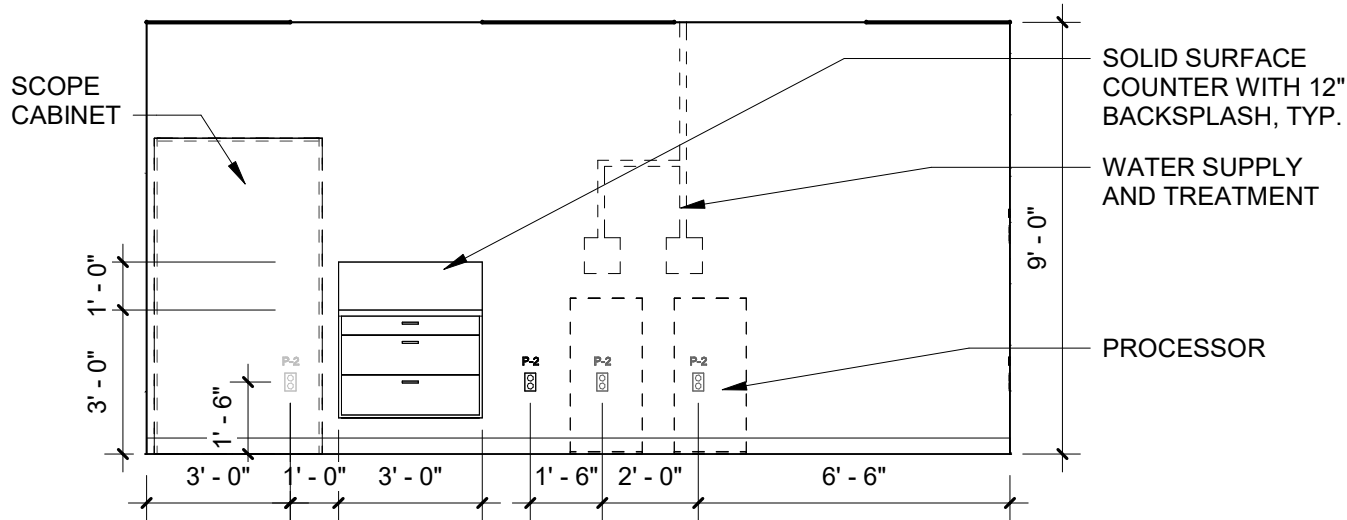
Space Design Guidelines - Basis of Design

Space: Instrument Processing	Department: Outpatient	Area: 540 SF
Drawing: Reflected Ceiling Plan	Drawing Scale: 1/4" = 1'-0"	Last Update: 12/20/2024

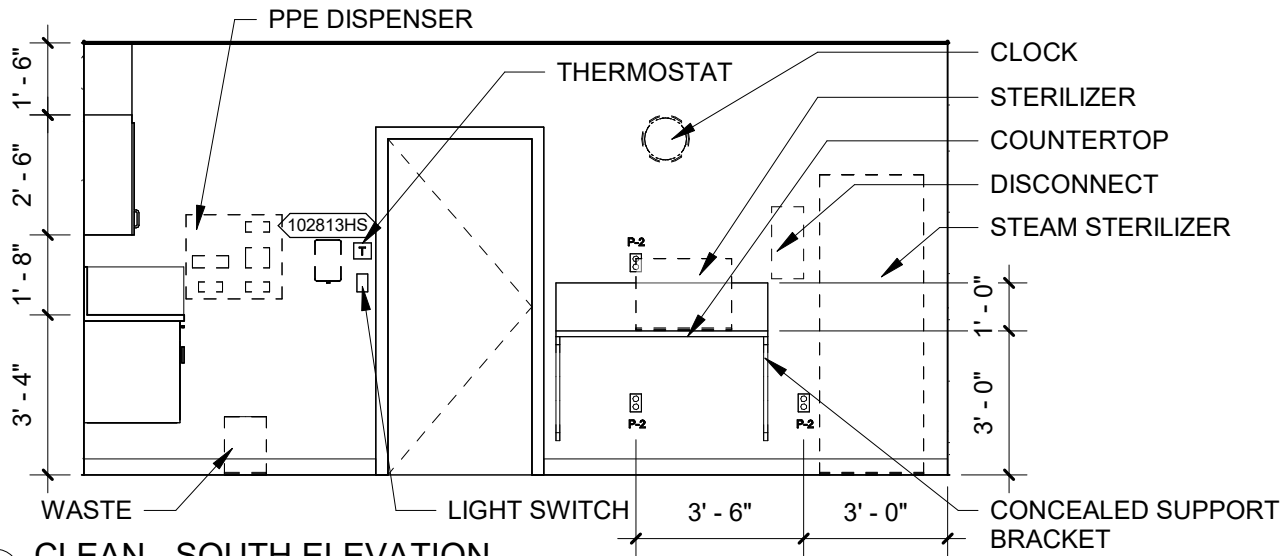


Space Design Guidelines - Basis of Design

Space:	Instrument Processing	Department:	Outpatient	Area:	540 SF
Drawing:	Elevations - Sterile	Drawing Scale:	1/4" = 1'-0"	Last Update:	12/20/2024



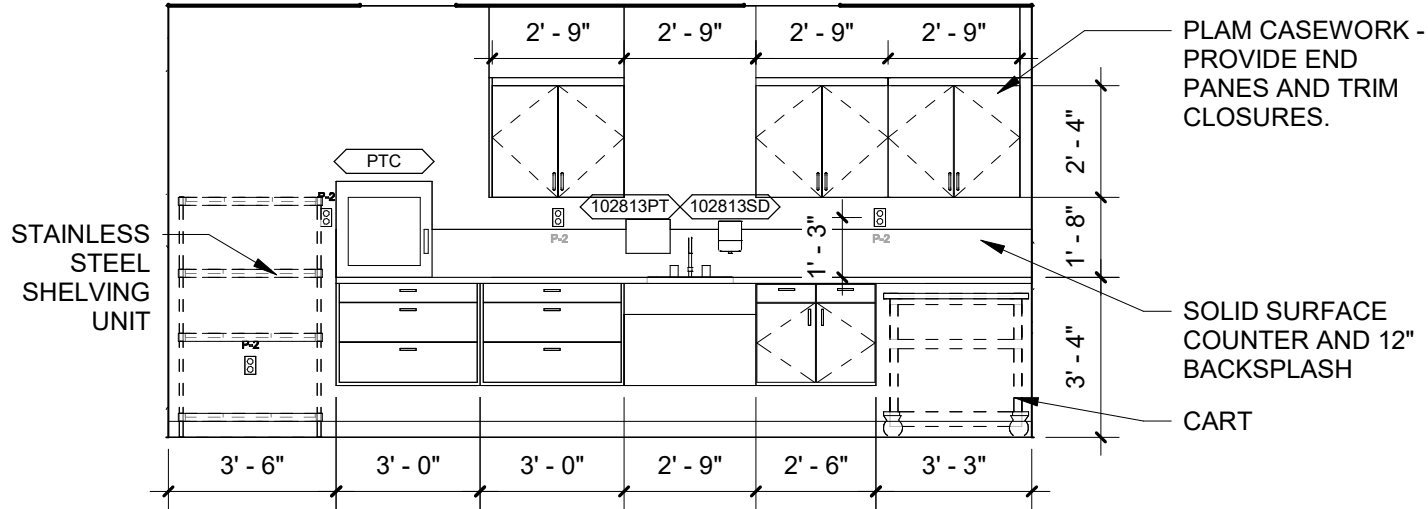
① **CLEAN - NORTH ELEVATION**
 1/4" = 1'-0"



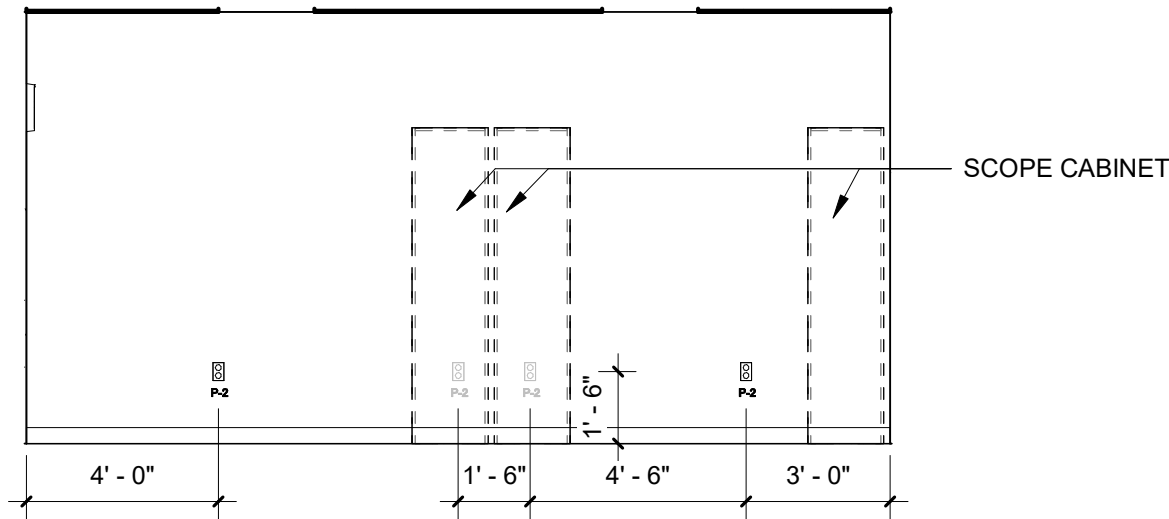
② **CLEAN - SOUTH ELEVATION**
 1/4" = 1'-0"

Space Design Guidelines - Basis of Design

Space: Instrument Processing	Department: Outpatient	Area: 540 SF
Drawing: Elevations - Sterile	Drawing Scale: 1/4" = 1'-0"	Last Update: 12/20/2024



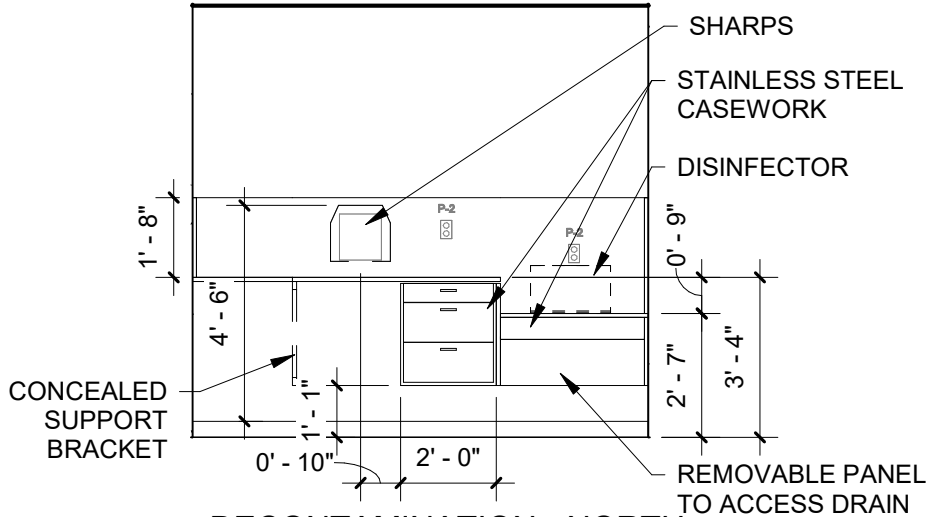
① **STERILE - EAST ELEVATION**
 1/4" = 1'-0"



② **STERILE - WEST ELEVATION**
 1/4" = 1'-0"

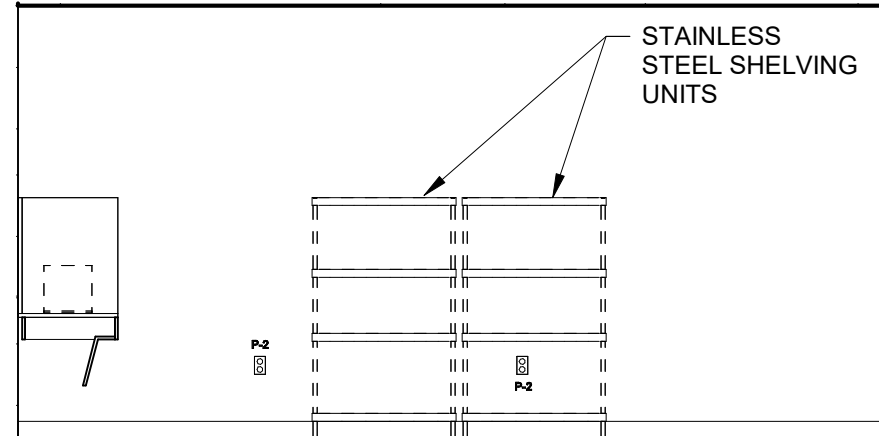
Space Design Guidelines - Basis of Design

Space: Instrument Processing	Department: Outpatient	Area: 540 SF
Drawing: Elevations - Decontamination	Drawing Scale: 1/4" = 1'-0"	Last Update: 12/20/2024



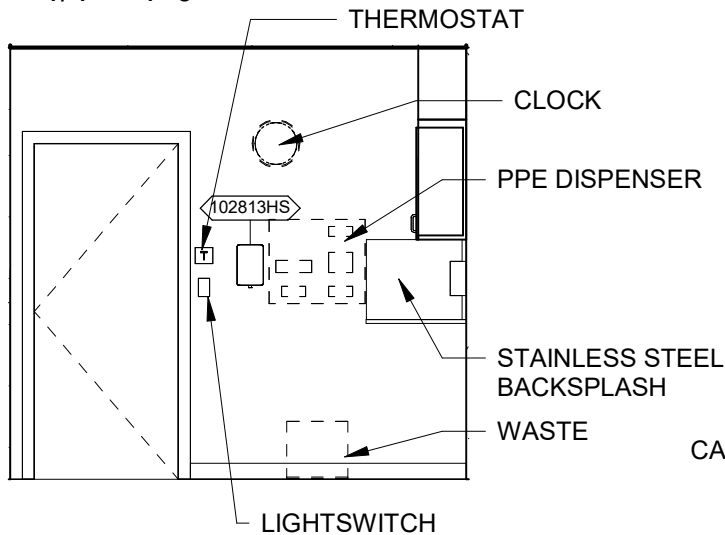
DECONTAMINATION - NORTH ELEVATION

1
 1/4" = 1'-0"



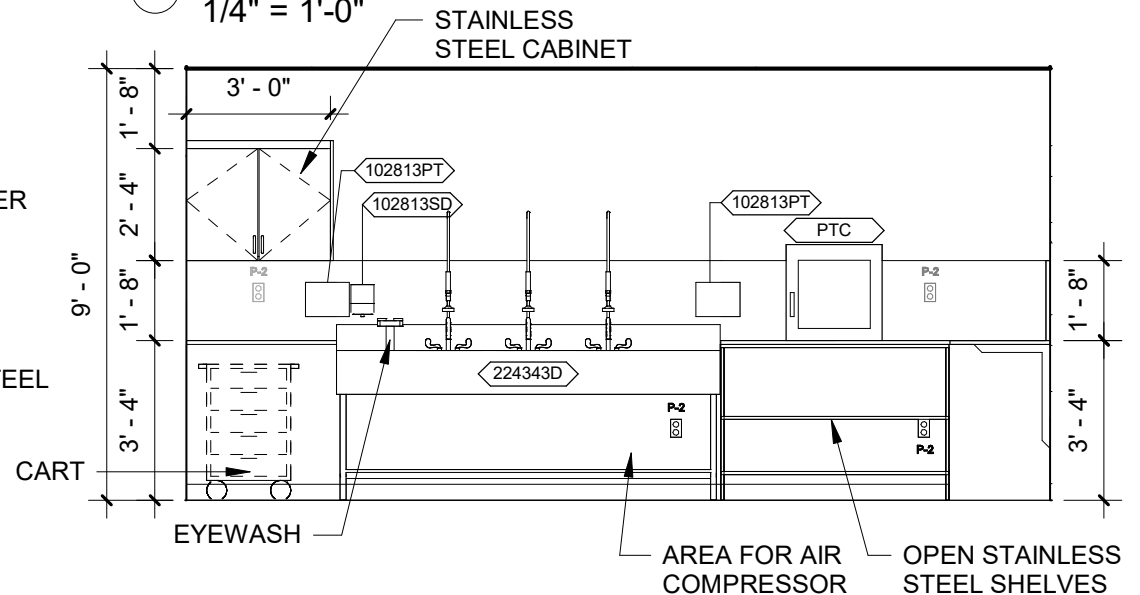
DECONTAMINATION - EAST ELEVATION

2
 1/4" = 1'-0"



DECONTAMINATION - SOUTH ELEVATION

3
 1/4" = 1'-0"



DECONTAMINATION - WEST ELEVATION

4
 1/4" = 1'-0"

Space Design Guidelines - Basis of Design

Space: Instrument Processing	Department: Outpatient	Area: 540 SF
Drawing: Component Schedule	Drawing Scale: NTS	Last Update: 12/20/2024

UTSW ID	Product / Manuf / Item	Qty	LF	Utilities								Furnish	Comments	
				1	2	3	4	5	6	7	8			
102813HS	Dispenser, Hand Sanitizer, Wall Mtd.	2		-	-	-	-	-	-	-	-	-	CFCI	*Confirm per contract/lease requirements
102813PT	Dispenser, Paper Towel, SS, Surface Mounted	3		-	-	-	-	-	-	-	-	-	CFCI	*Confirm per contract/lease requirements
102813SD	Dispenser, Soap, Disposable	2		-	-	-	-	-	-	-	-	-	CFCI	*Confirm per contract/lease requirements
129323 W	Waste	2		-	-	-	-	-	-	-	-	-	OFOI	
224216 E	Hand-held eyewash	1		Y	-	-	-	-	-	-	-	-	CFCI	
224216 L	Sink, bottom mount, stainless steel	1		Y	-	-	-	-	-	-	-	-	CFCI	Confirm size, depth and requirements from UTSW.
224343D	Stainless steel decontamination sink.	1		Y	-	-	-	-	-	-	-	-	CFCI	No. of sinks determined by project requirements.
265119 UC	Under cabinet lights, LED	4		-	Y	-	-	-	-	-	-	-	CFCI	
F3200	Clock	2		-	-	-	-	-	-	-	-	-	OFOI	
OER01	Endoscope reprocessor	4		Y	Y	-	-	-	-	-	-	-	OFOI	
PTC	Wall Mtd. Pass through cabinet	1		-	Y	-	-	-	-	-	-	-	CFCI	Pressurized cabinet. Confirm exhaust and power requirements
RM-SGN	Room Sign, Per Standards	2		-	-	-	-	-	-	-	-	-	CFCI	Location confirmed by UTSW PM and UTSW sign shop
SP-SGN	Specialty Sign, Per Standards	2		-	-	-	-	-	-	-	-	-	CFCI	Limited access, PPE requirement. Final wording and location confirmed by UTSW PM and UTSW sign shop
STR01	Sterilizer	2		Y	Y	-	-	-	-	-	-	-	OFOI	Confirm requirements

Utilities Key

- | | |
|-------------------------------------|----------------------------------|
| 1. Water / Drain - 1 sink and drain | 5. Non MedGas |
| 2. Electricity - Standard power | 6. Vacuum |
| 3. MedGas | 7. Data - Data and clinical data |
| 4. Misc Gas | 8. Misc. |

Furnish Key

- OFOI - Owner Furnished, Owner Installed
 OFVI - Owner Furnished, Vendor Installed
 OFCI - Owner Furnished, Contractor Installed
 CFCI - Contractor Furnished, Contractor Installed

Space Design Guidelines - Basis of Design

Space:	Instrument Processing	Department:	Outpatient	Area:	540 SF
Drawing:	Data/Power Schedule	Drawing Scale:	NTS	Last Update:	12/20/2024

Electrical Fixtures

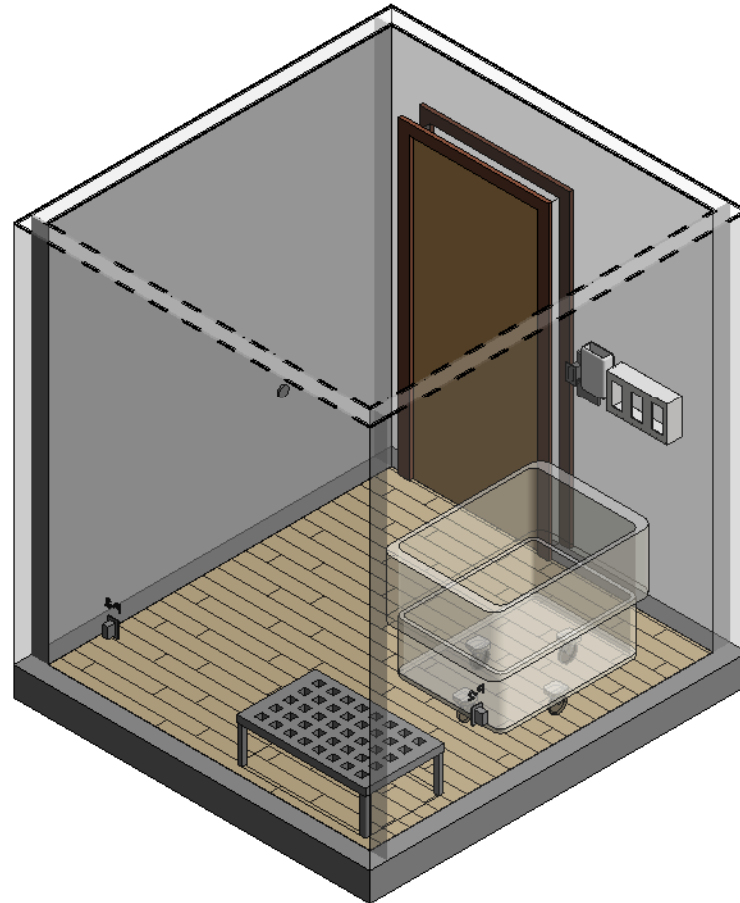
USTW ID	Item	Qty.
P-2	Power - Duplex - 120 V	23

Data Fixtures

UTSW ID	Item	Qty
----------------	-------------	------------

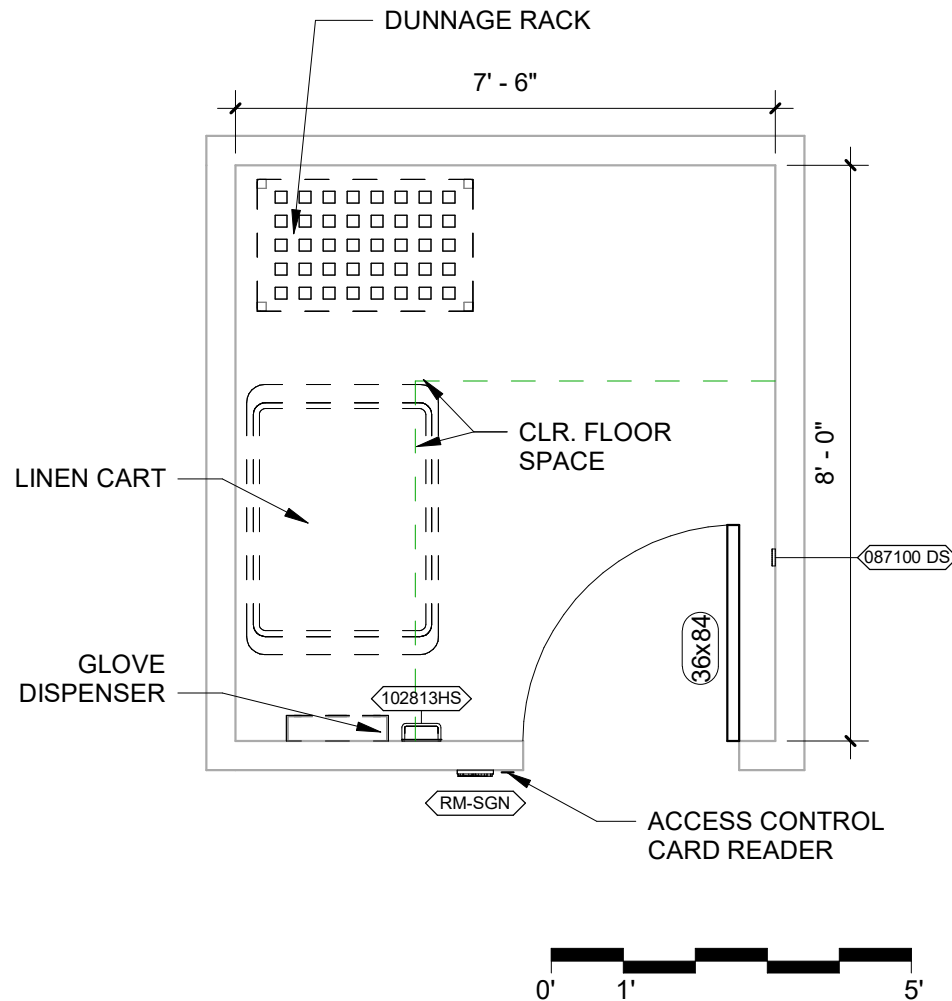
Space Design Guidelines - Basis of Design

Space: Soiled Hold	Department: Outpatient	Area: 60 SF
Drawing: Room Isometric	Drawing Scale: NTS	Last Update: 12/20/2024



Space Design Guidelines - Basis of Design

Space: Soiled Hold	Department: Outpatient	Area: 60 SF
Drawing: Floor Plan	Drawing Scale: 3/8" = 1'-0"	Last Update: 12/20/2024



Space Narrative:

Information provided shall be confirmed with UTSW PM.

Furnish assignments shall be confirmed by the UTSW PM. Entity furnishing paper towel and soap dispensers shall be confirmed per project location and lease requirements.

Dashed equipment is specified per project by UTSW

Items noted with symbol are shown on the Component Schedule

Design is sized for a typical 10,000 SF clinic. Requirements shall adjust per project.

UTSW Special Considerations:

Flooring: LVT

Base: Rubber Base

Ceiling: ACT

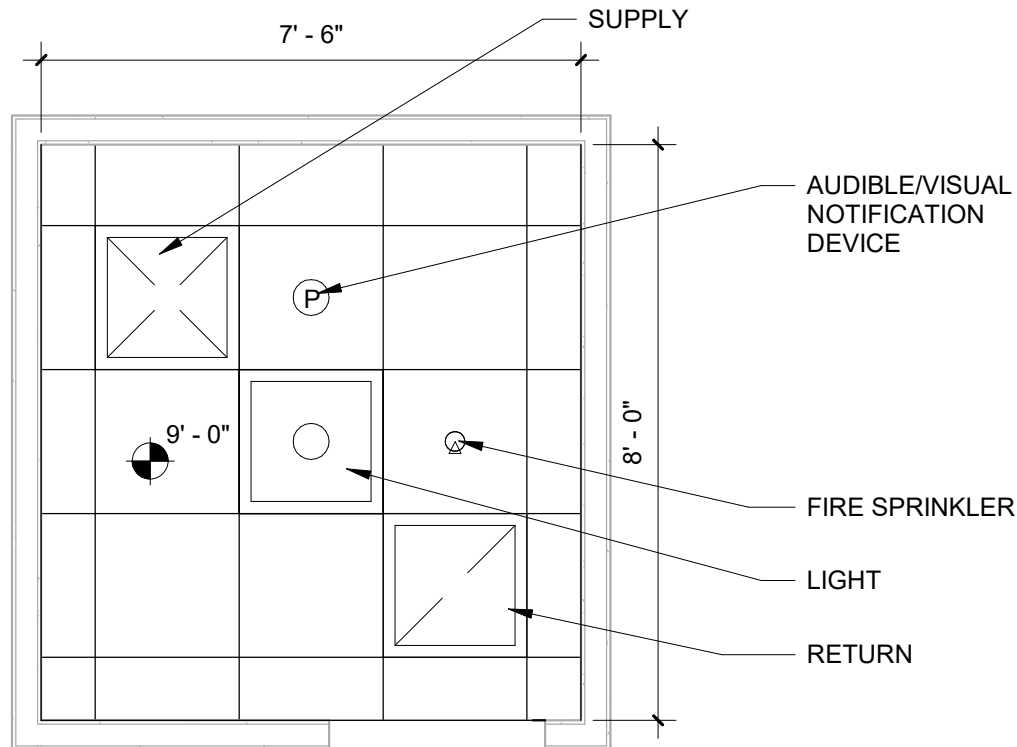
Walls: Paint

Blocking (BLKG) by GC shall be coordinated prior to installation.

Access control card reader at door.

Space Design Guidelines - Basis of Design

Space: Soiled Hold	Department: Outpatient	Area: 60 SF
Drawing: Reflected Ceiling Plan	Drawing Scale: 3/8" = 1'-0"	Last Update: 12/20/2024



Space Narrative:

Fire and life safety elements will be designed and laid out per project requirements.

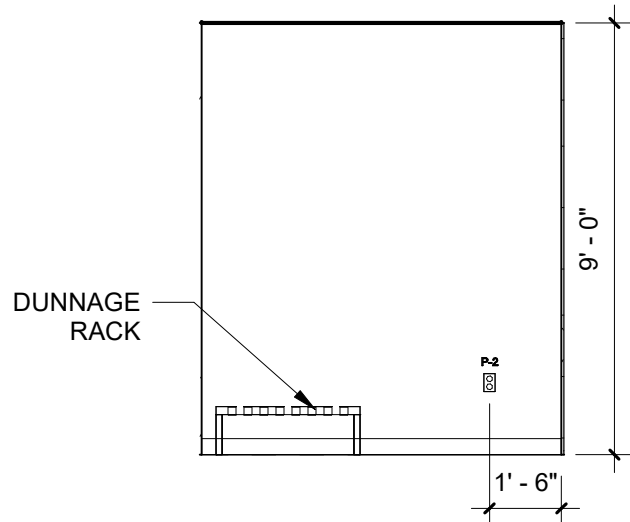
Typical 2x2 ACT ceiling.

UTSW Special Considerations:

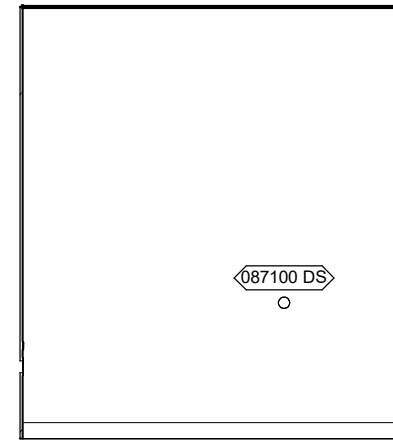
Refer to UTSW Design Guidelines to confirm light fixture types appropriate per project.

Space Design Guidelines - Basis of Design

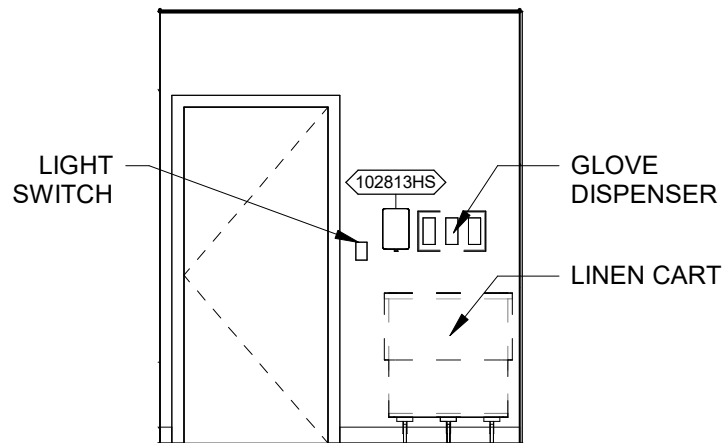
Space: Soiled Hold	Department: Outpatient	Area: 60 SF
Drawing: Elevations	Drawing Scale: 1/4" = 1'-0"	Last Update: 12/20/2024



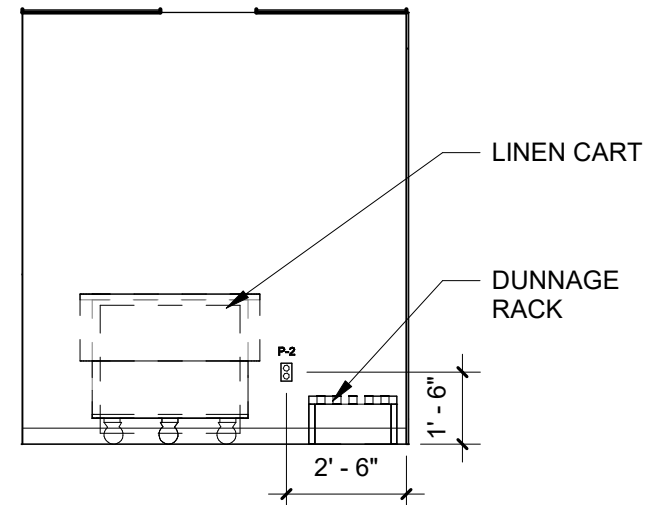
① NORTH ELEVATION
 1/4" = 1'-0"



② EAST ELEVATION
 1/4" = 1'-0"



③ SOUTH ELEVATION
 1/4" = 1'-0"



④ WEST ELEVATION
 1/4" = 1'-0"

Space Design Guidelines - Basis of Design

Space: Soiled Hold	Department: Outpatient	Area: 60 SF
Drawing: Component Schedule	Drawing Scale: NTS	Last Update: 12/20/2024

UTSW ID	Product / Manuf / Item	Qty	LF	Utilities								Furnish	Comments	
				1	2	3	4	5	6	7	8			
087100 DS	Door Stop	1		-	-	-	-	-	-	-	-	-	CFCI	
102813HS	Dispenser, Hand Sanitizer, Wall Mtd.	1		-	-	-	-	-	-	-	-	-	CFCI	
105613	Stainless steel shelving rack	1		-	-	-	-	-	-	-	-	-	OFOI	
CT-Linen	Cube Truck - Linen	1		-	-	-	-	-	-	-	-	-	OFOI	
GLVDP	3 Box Glove Dispenser	1		-	-	-	-	-	-	-	-	-	OFOI	no
RM-SGN	Room Sign, Per Standards	1		-	-	-	-	-	-	-	-	-	CFCI	Location confirmed by UTSW PM and UTSW sign shop

Utilities Key

- | | |
|-------------------------------------|----------------------------------|
| 1. Water / Drain - 1 sink and drain | 5. Non MedGas |
| 2. Electricity - Standard power | 6. Vacuum |
| 3. MedGas | 7. Data - Data and clinical data |
| 4. Misc Gas | 8. Misc. |

Furnish Key

- OFOI - Owner Furnished, Owner Installed
- OFVI - Owner Furnished, Vendor Installed
- OFCI - Owner Furnished, Contractor Installed
- CFCI - Contractor Furnished, Contractor Installed

Space Design Guidelines - Basis of Design

Space: Soiled Hold	Department: Outpatient	Area: 60 SF
Drawing: Data/Power Schedule	Drawing Scale: NTS	Last Update: 12/20/2024

Electrical Fixtures

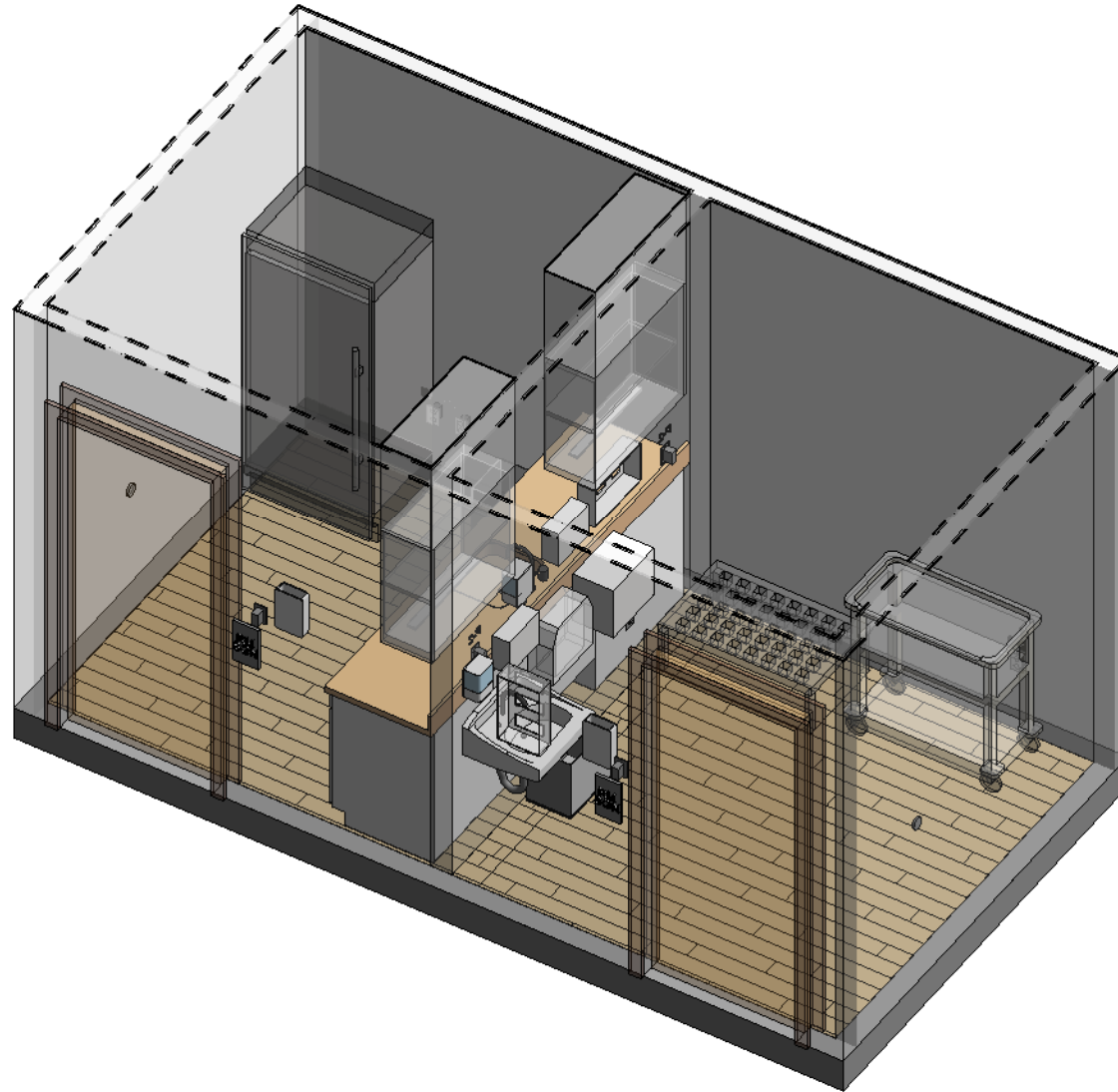
USTW ID	Item	Qty.
P-2	Power - Duplex - 120 V	2

Data Fixtures

ID	Nomenclature	Qty
----	--------------	-----

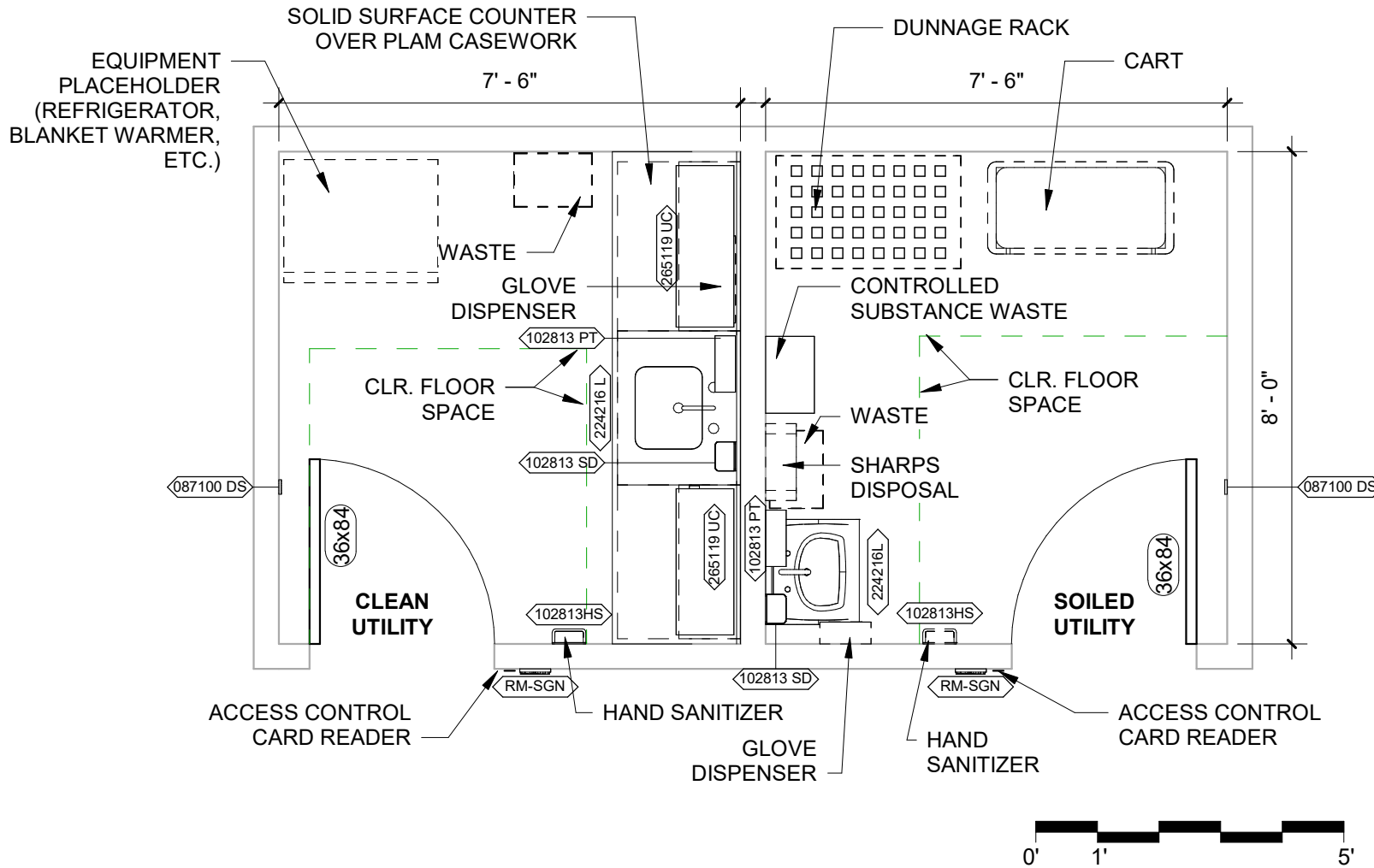
Space Design Guidelines - Basis of Design

Space:	Clean and Soiled Utility	Department:	Outpatient	Area:	143 SF
Drawing:	Room Isometric	Drawing Scale:	NTS	Last Update:	12/20/2024



Space Design Guidelines - Basis of Design

Space: Clean and Soiled Utility	Department: Outpatient	Area: 143 SF
Drawing: Floor Plan	Drawing Scale: 3/8" = 1'-0"	Last Update: 12/20/2024



Space Design Guidelines - Basis of Design

Space: Clean and Soiled Utility	Department: Outpatient	Area: 143 SF
Drawing: Space Notes	Drawing Scale: NTS	Last Update: 12/20/2024

Plan Space Narrative:

Information provided shall be confirmed with UTSW PM.

Furnish assignments shall be confirmed by the UTSW PM. Entity furnishing paper towel and soap dispensers shall be confirmed per project location and lease requirements.

Dashed equipment is specified per project by UTSW

Items noted with symbol are shown on the Component Schedule

UTSW Special Plan Considerations:

Flooring: LVT

Base: Rubber Base

Ceiling: 2x2 ACT

Walls: Paint

Casework: Plastic Laminate, extend upper casework to ceiling grid

Countertops: Solid Surface

Blocking (BLKG) by GC shall be coordinated prior to installation.

Access control card readers at each door.

Refrigerator or other equipment such as blanket warmer may be required per project. Confirm per project by UTSW PM and Clinic Representative including requirements for emergency power, CDAS, temperature control, etc.

RCP Space Narrative:

Fire and life safety elements will be designed and laid out per project requirements.

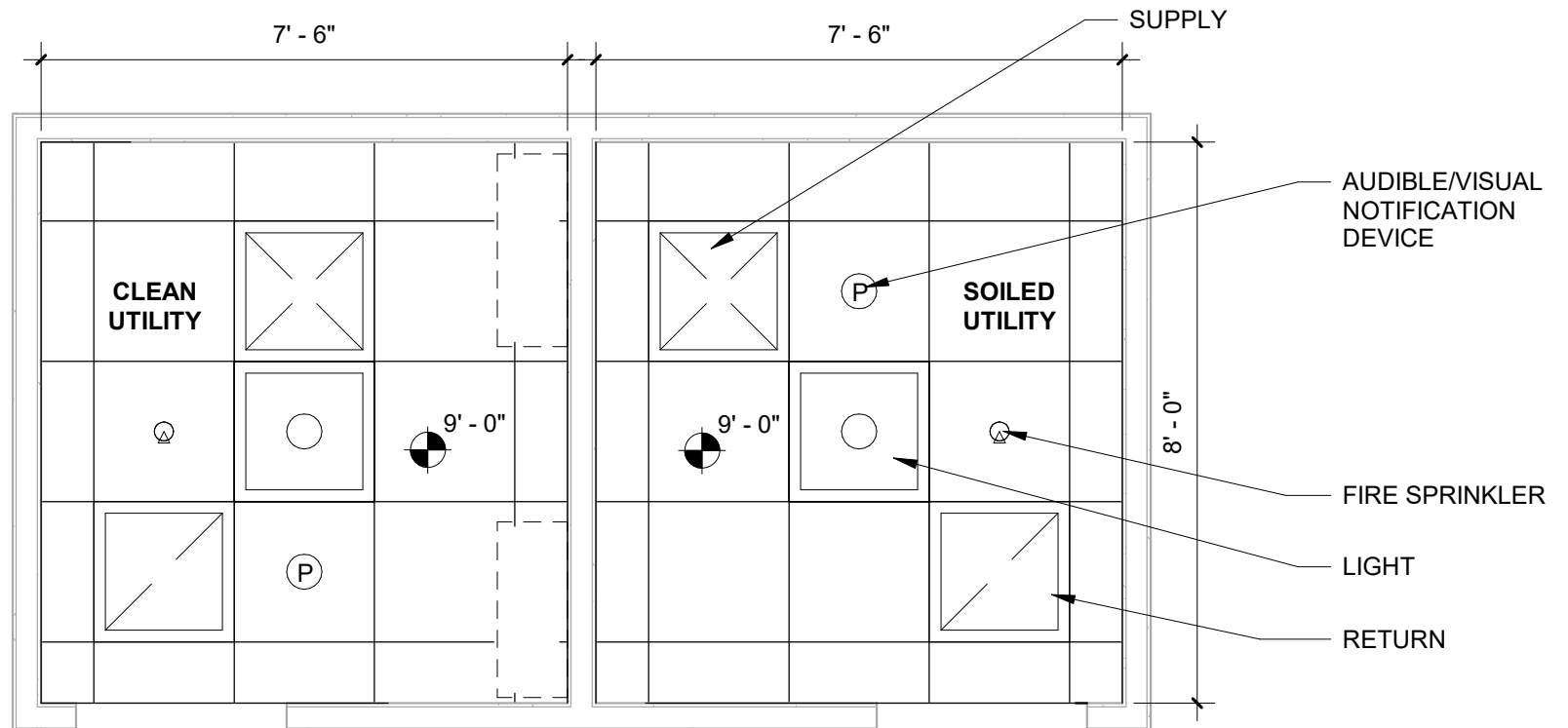
Typical 2x2 ACT ceiling.

UTSW Special RCP Considerations:

Refer to UTSW Design Guidelines to confirm light fixture types appropriate per project.

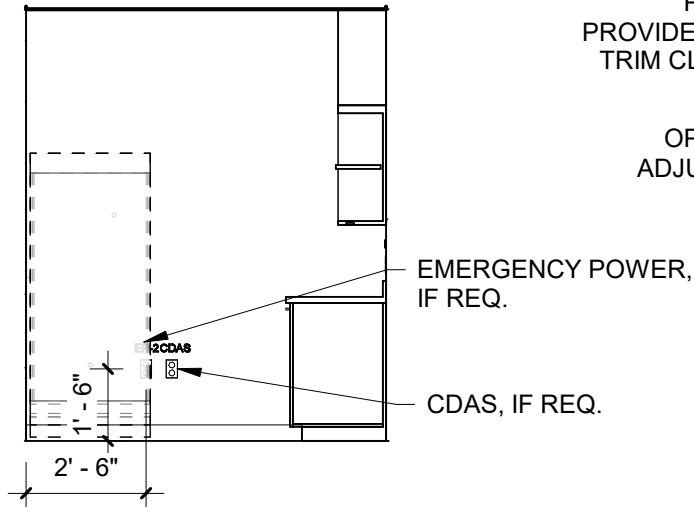
Space Design Guidelines - Basis of Design

Space: Clean and Soiled Utility	Department: Outpatient	Area: 143 SF
Drawing: Reflected Ceiling Plan	Drawing Scale: 3/8" = 1'-0"	Last Update: 12/20/2024

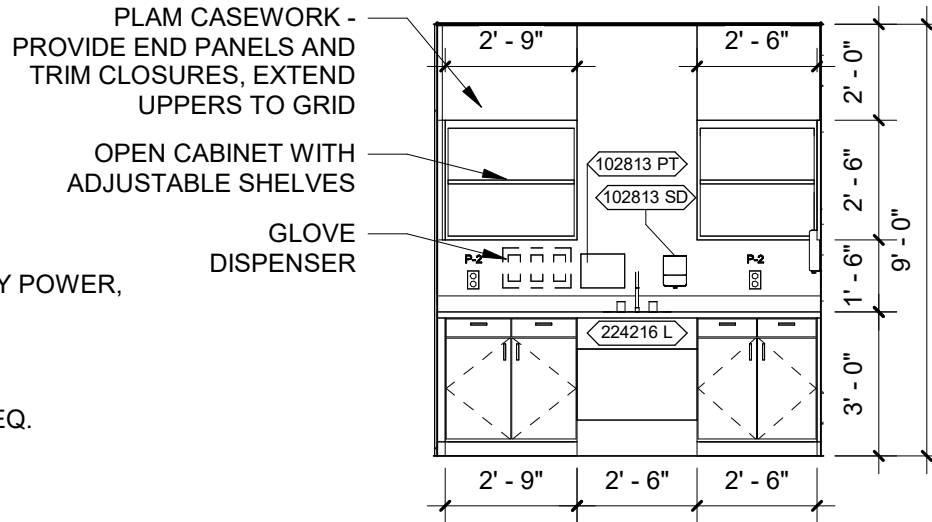


Space Design Guidelines - Basis of Design

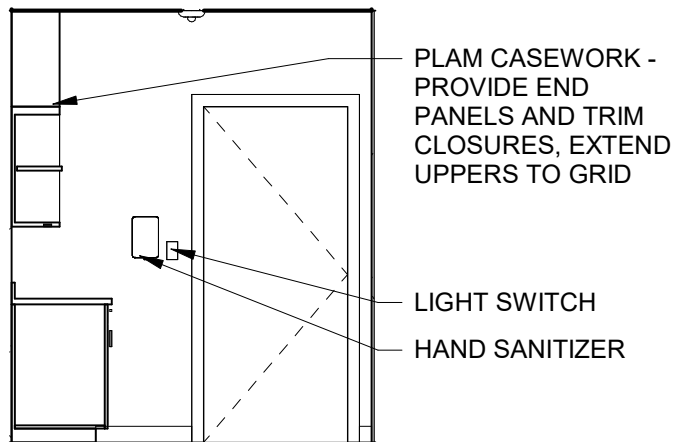
Space: Clean and Soiled Utility	Department: Outpatient	Area: 143 SF
Drawing: Elevations - Clean	Drawing Scale: 1/4" = 1'-0"	Last Update: 12/20/2024



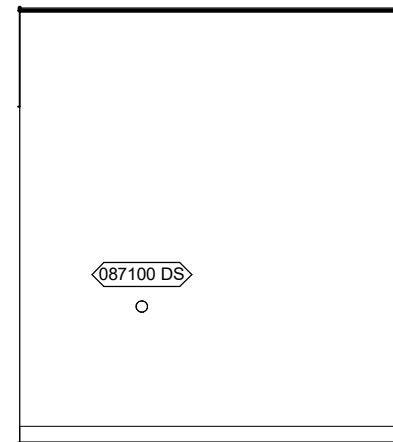
① **NORTH ELEVATION**
 1/4" = 1'-0"



② **EAST ELEVATION**
 1/4" = 1'-0"



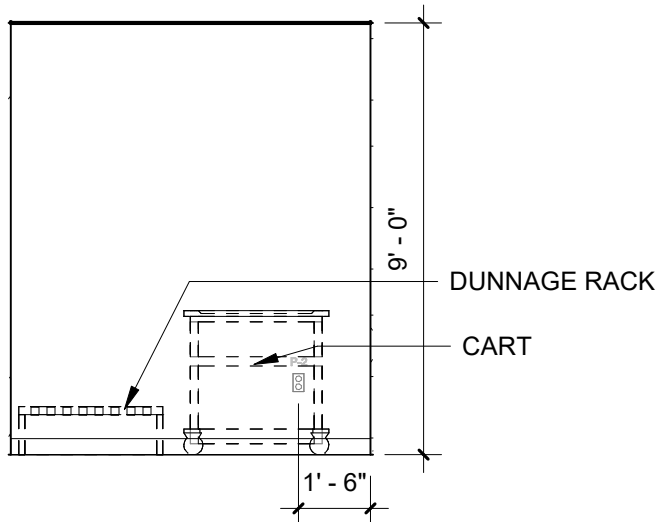
③ **SOUTH ELEVATION**
 1/4" = 1'-0"



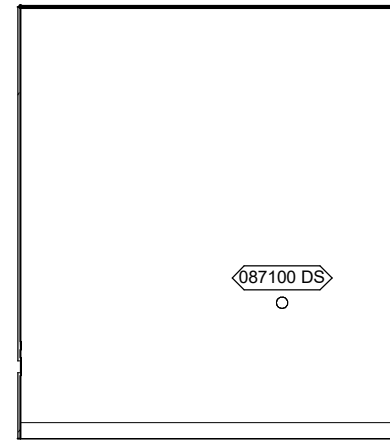
④ **WEST ELEVATION**
 1/4" = 1'-0"

Space Design Guidelines - Basis of Design

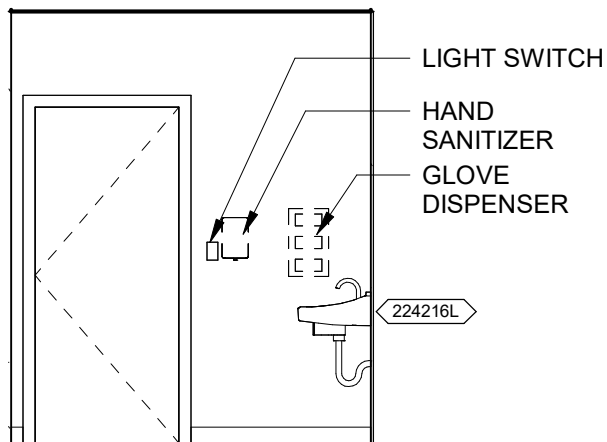
Space: Clean and Soiled Utility	Department: Outpatient	Area: 143 SF
Drawing: Elevations - Soiled	Drawing Scale: 1/4" = 1'-0"	Last Update: 12/20/2024



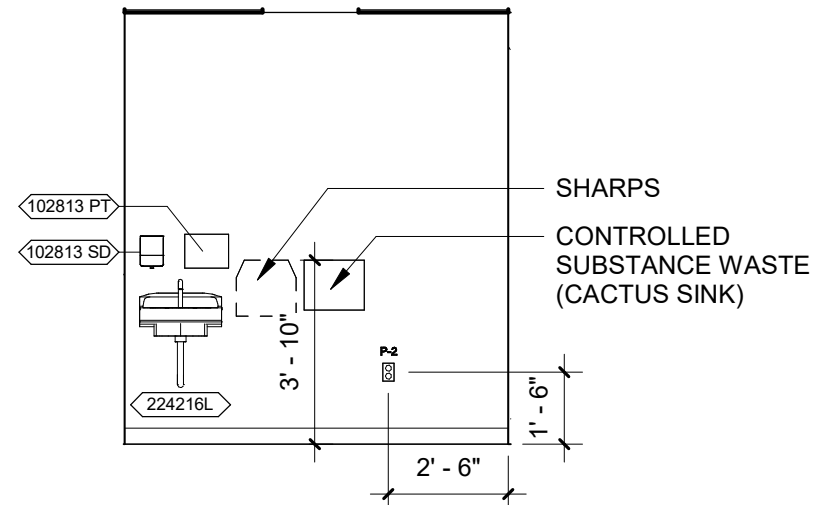
① NORTH ELEVATION
 1/4" = 1'-0"



② EAST ELEVATION
 1/4" = 1'-0"



③ SOUTH ELEVATION
 1/4" = 1'-0"



④ WEST ELEVATION
 1/4" = 1'-0"

Space Design Guidelines - Basis of Design

Space: Clean and Soiled Utility	Department: Outpatient	Area: 143 SF
Drawing: Component Schedule	Drawing Scale: NTS	Last Update: 12/20/2024

UTSW ID	Product / Manuf / Item	Qty	LF	Utilities								Furnish	Comments	
				1	2	3	4	5	6	7	8			
3723-028	Sharps Cabinet, Wall Mtd.	1		-	-	-	-	-	-	-	-	-	OFOI	
4688-028	Waste, Black,	2		-	-	-	-	-	-	-	-	-	OFOI	
087100 DS	Door Stop	2		-	-	-	-	-	-	-	-	-	CFCI	
102813 PT	Dispenser, Paper Towel, SS, Surface Mounted	2		-	-	-	-	-	-	-	-	-	CFCI	*Confirm contract/lease requirements
102813 SD	Dispenser, Soap, Disposable	2		-	-	-	-	-	-	-	-	-	CFCI	*Confirm contract/lease requirements
102813HS	Dispenser, Hand Sanitizer, Wall Mtd.	2		-	-	-	-	-	-	-	-	-	CFCI	*Confirm contract/lease requirements
105613	Stainless steel shelving rack	1		-	-	-	-	-	-	-	-	-	7110	
117050	Controlled Substance Waste Management, Surface Mounted	1		Y	-	-	-	-	-	-	-	-	OFOI	
224216 L	Sink, bottom mount, solid surface	1		Y	-	-	-	-	-	-	-	-	CFCI	
224216L	Lavatory, Vitreous China, Slab Type	1		Y	-	-	-	-	-	-	-	-	CFCI	Includes pipe insulation
265119 UC	Under cabinet lights, LED	2		-	Y	-	-	-	-	-	-	-	CFCI	
CART	Cart, Metal, Mobile, Manuf.	1		-	-	-	-	-	-	-	-	-	OFOI	
GLVDP	3 Box Glove Dispenser	2		-	-	-	-	-	-	-	-	-	OFOI	
RM-SGN	Room Sign, Per Standards	2		-	-	-	-	-	-	-	-	-	CFCI	Location confirmed by UTSW PM and UTSW sign shop

Utilities Key

- | | |
|-------------------------------------|----------------------------------|
| 1. Water / Drain - 1 sink and drain | 5. Non MedGas |
| 2. Electricity - Standard power | 6. Vacuum |
| 3. MedGas | 7. Data - Data and clinical data |
| 4. Misc Gas | 8. Misc. |

Furnish Key

- OFOI - Owner Furnished, Owner Installed
- OFVI - Owner Furnished, Vendor Installed
- OFCI - Owner Furnished, Contractor Installed
- CFCI - Contractor Furnished, Contractor Installed

Space Design Guidelines - Basis of Design

Space: Clean and Soiled Utility	Department: Outpatient	Area: 143 SF
Drawing: Data/Power Schedule	Drawing Scale: NTS	Last Update: 12/20/2024

Electrical Fixtures

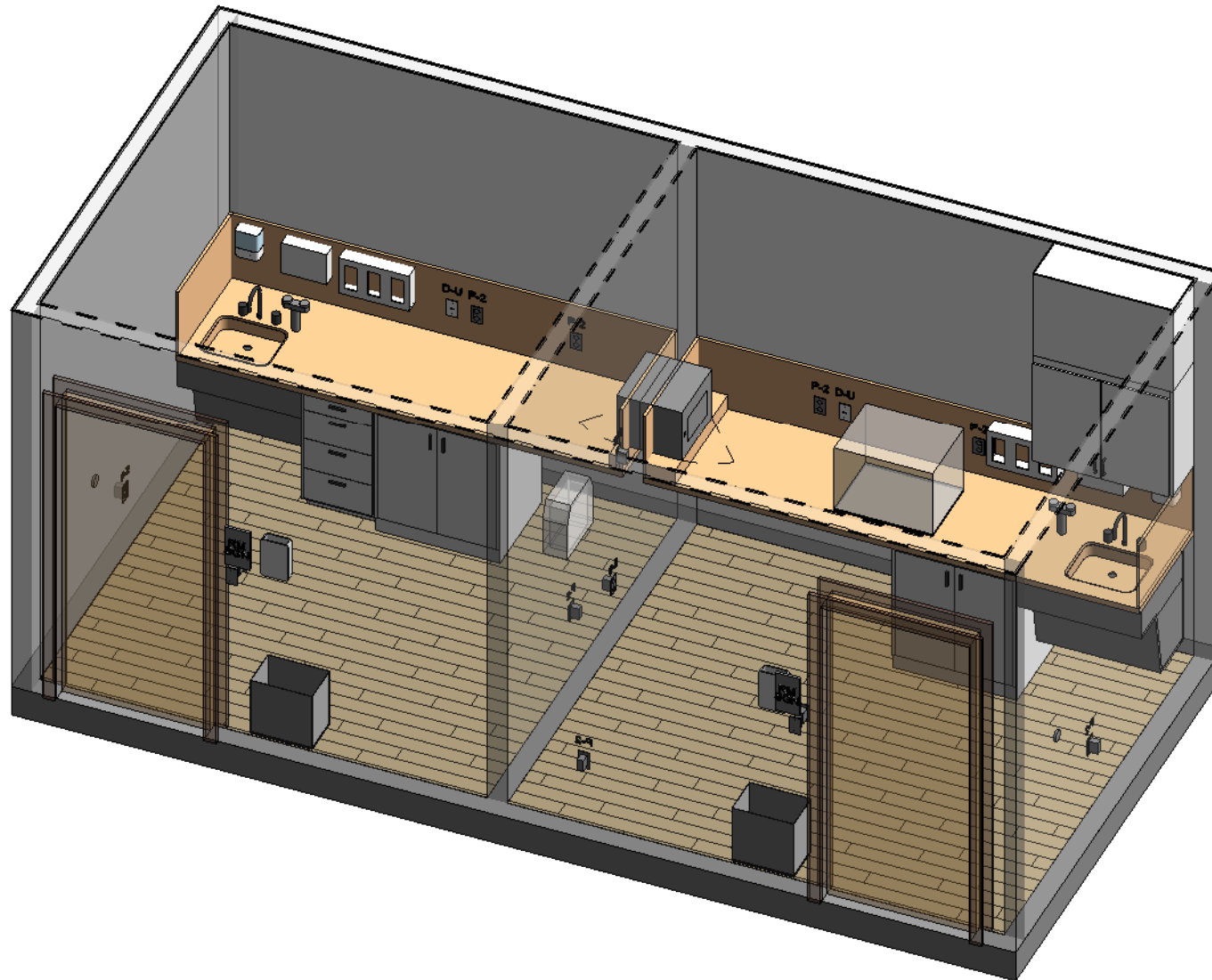
USTW ID	Item	Qty.
CDAS	CDAS Connection	1
EP-2	Emergency Power - Duplex - 120 V	1
P-2	Power - Duplex - 120 V	4

Data Fixtures

ID	Nomenclature	Qty
-----------	---------------------	------------

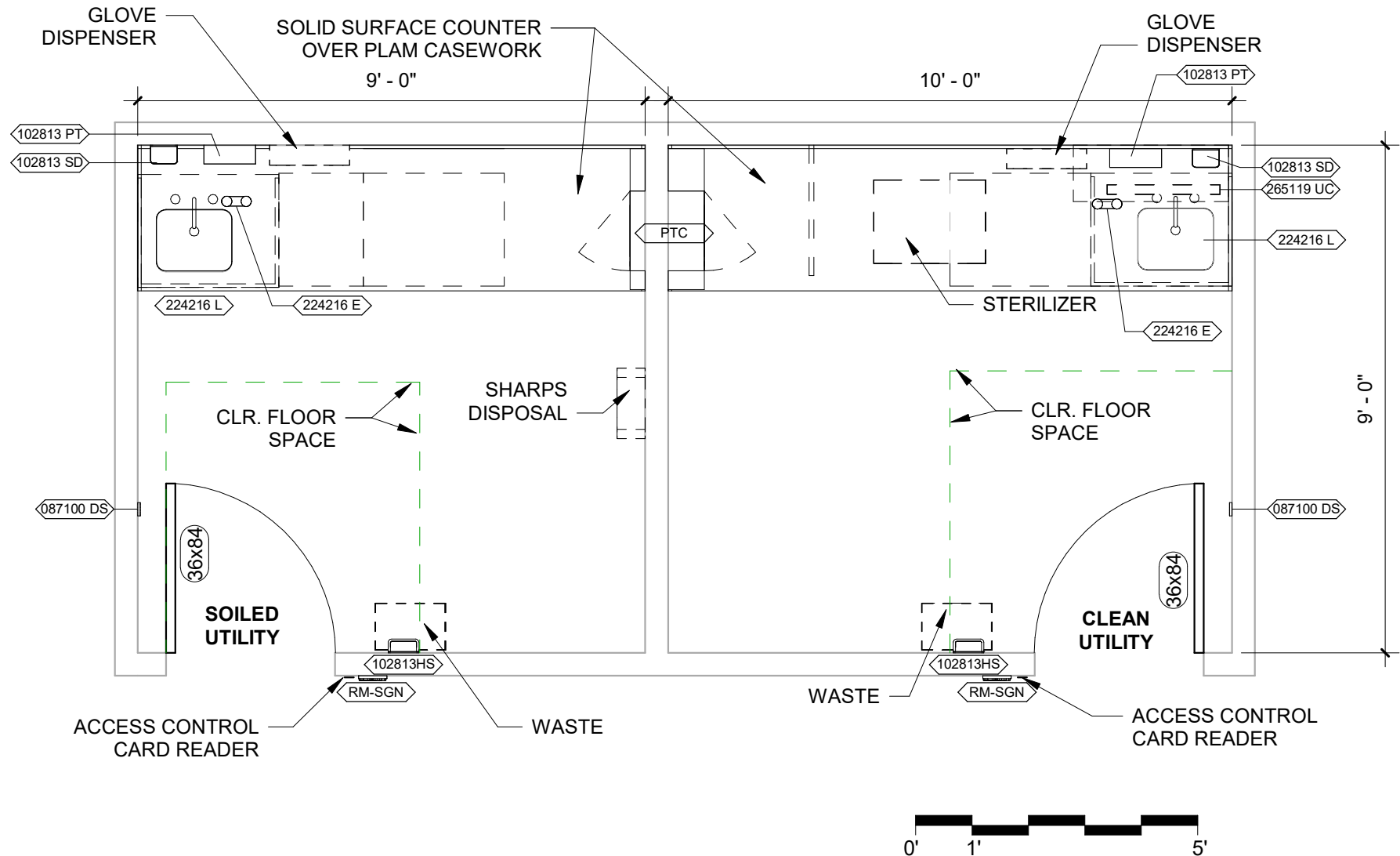
Space Design Guidelines - Basis of Design

Space:	Clean / Soiled Utility with Pass Through	Department:	Outpatient	Area:	171 SF
Drawing:	Room Isometric	Drawing Scale:	NTS	Last Update:	12/20/2024



Space Design Guidelines - Basis of Design

Space: Clean / Soiled Utility with Pass Through	Department: Outpatient	Area: 171 SF
Drawing: Floor Plan	Drawing Scale: 3/8" = 1'-0"	Last Update: 12/20/2024



Space Design Guidelines - Basis of Design

Space: Clean / Soiled Utility with Pass Through	Department: Outpatient	Area: 171 SF
Drawing: Space Notes	Drawing Scale: NTS	Last Update: 12/20/2024

Plan Space Narrative:

Information provided shall be confirmed with UTSW PM.

Furnish assignments shall be confirmed by the UTSW PM. Entity furnishing paper towel and soap dispensers shall be confirmed per project location and lease requirements.

Dashed equipment is specified per project by UTSW

Items noted with symbol are shown on the Component Schedule

UTSW Special Plan Considerations:

Flooring: LVT

Base: Rubber Base

Ceiling: 2x2 ACT

Walls: Paint

Casework: Plastic Laminate, extend upper casework to ceiling grid

Countertops: Solid Surface, tall backsplash

Blocking (BLKG) by GC shall be coordinated prior to installation.

Access control card readers at each door.

Refrigerator or other equipment such as blanket warmer may be required per project. Confirm per project by UTSW PM and Clinic Representative including requirements for emergency power, temperature control, etc.

RCP Space Narrative:

Fire and life safety elements will be designed and laid out per project requirements.

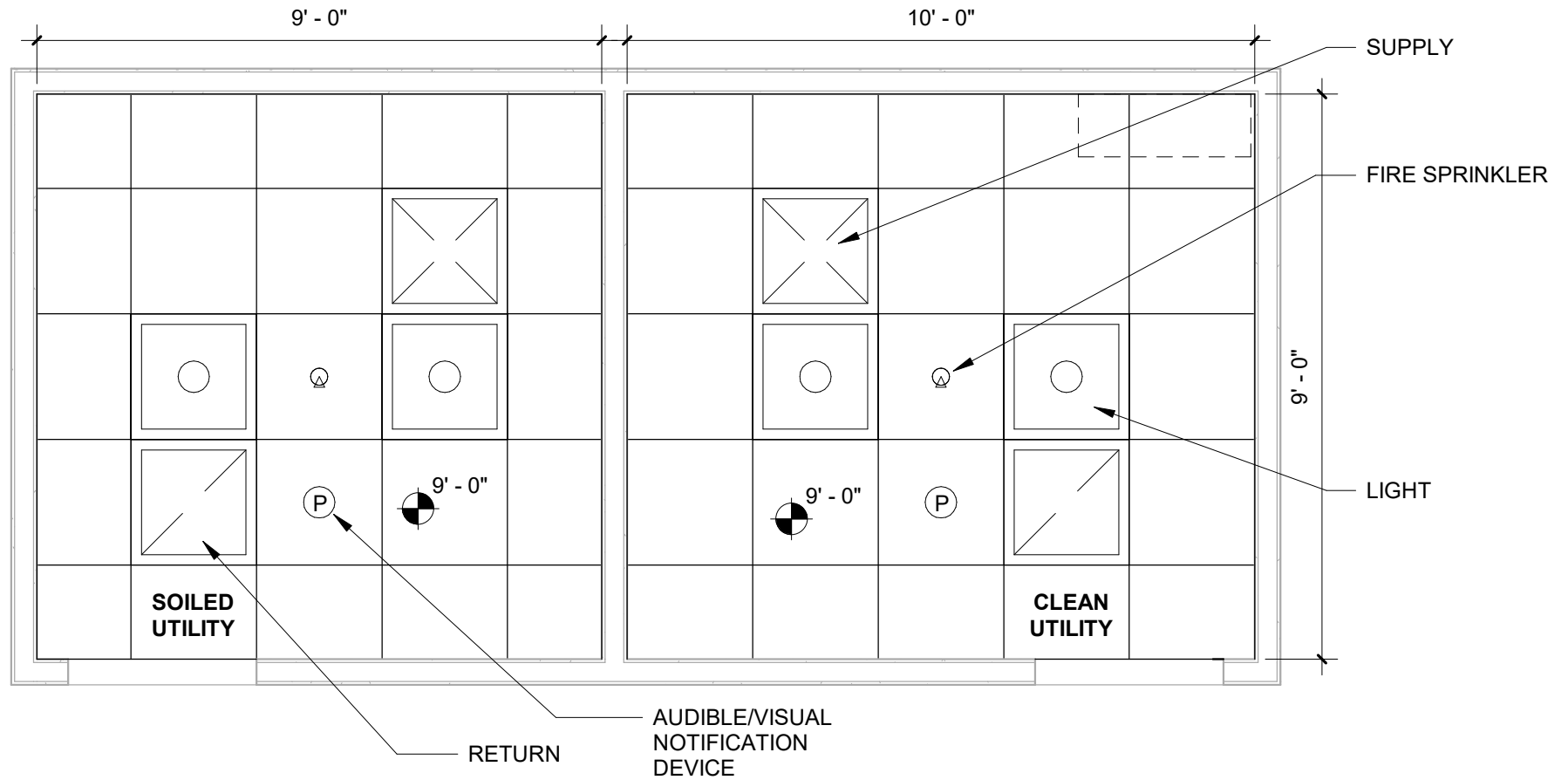
Typical 2x2 ACT ceiling.

UTSW Special RCP Considerations:

Refer to UTSW Design Guidelines to confirm light fixture types appropriate per project.

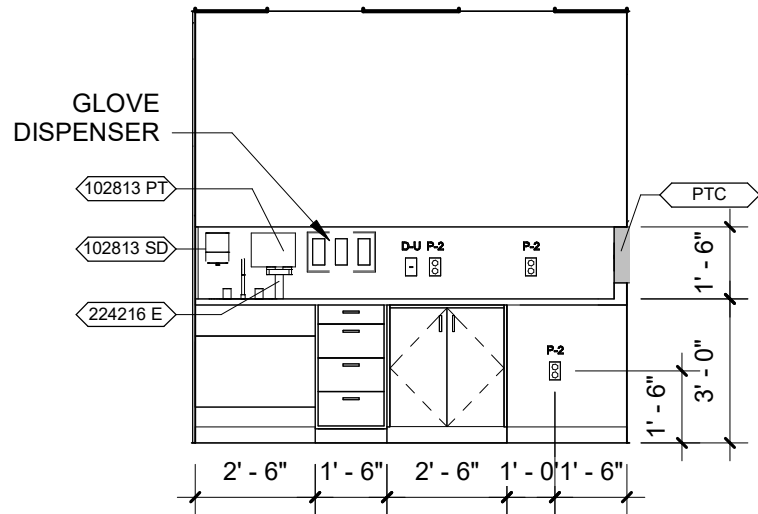
Space Design Guidelines - Basis of Design

Space: Clean / Soiled Utility with Pass Through	Department: Outpatient	Area: 171 SF
Drawing: Reflected Ceiling Plan	Drawing Scale: 3/8" = 1'-0"	Last Update: 12/20/2024

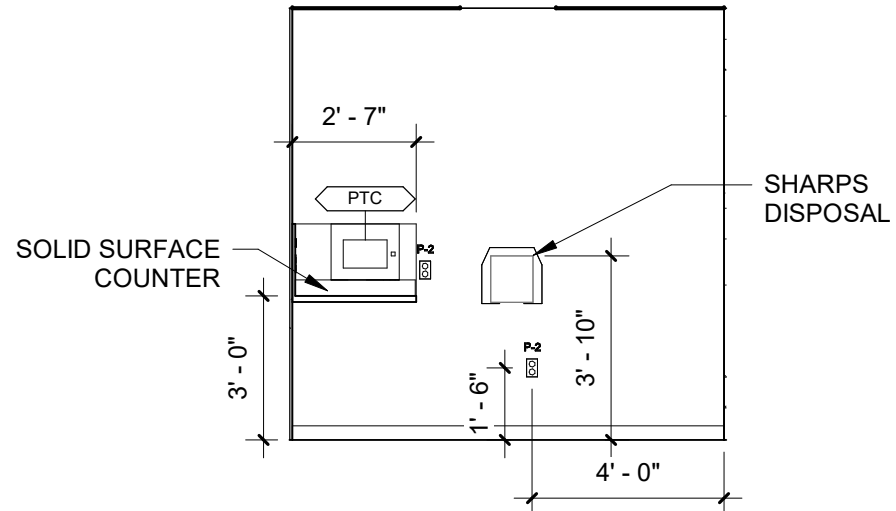


Space Design Guidelines - Basis of Design

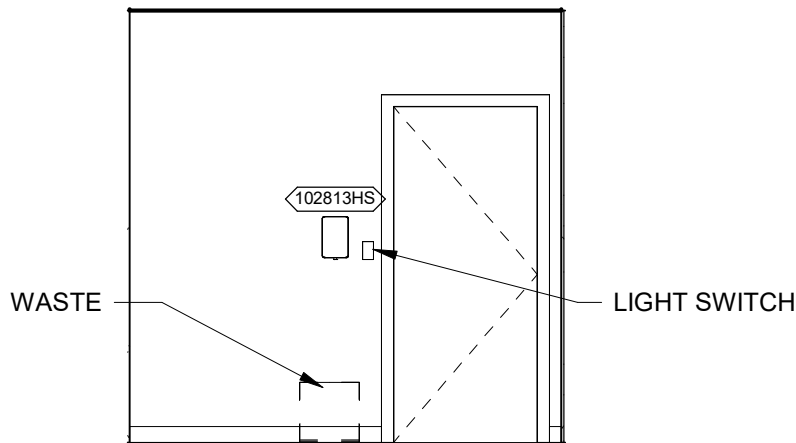
Space: Clean / Soiled Utility with Pass Through	Department: Outpatient	Area: 171 SF
Drawing: Elevations - Soiled	Drawing Scale: 1/4" = 1'-0"	Last Update: 12/20/2024



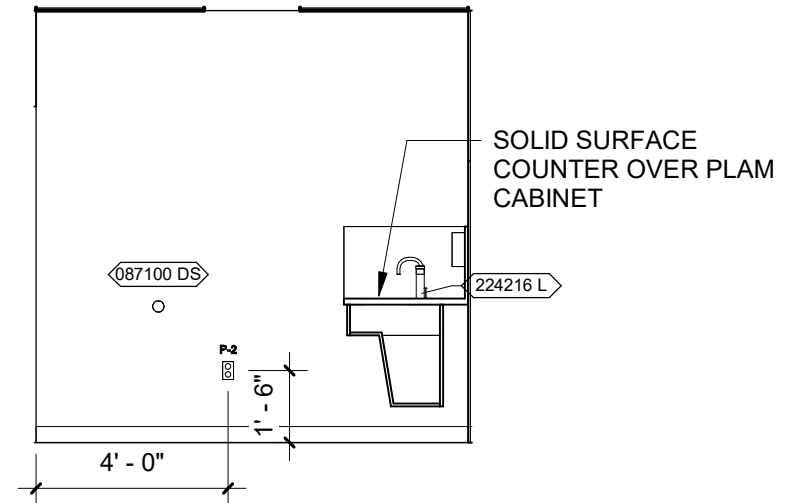
1 NORTH ELEVATION
 1/4" = 1'-0"



2 EAST ELEVATION
 1/4" = 1'-0"



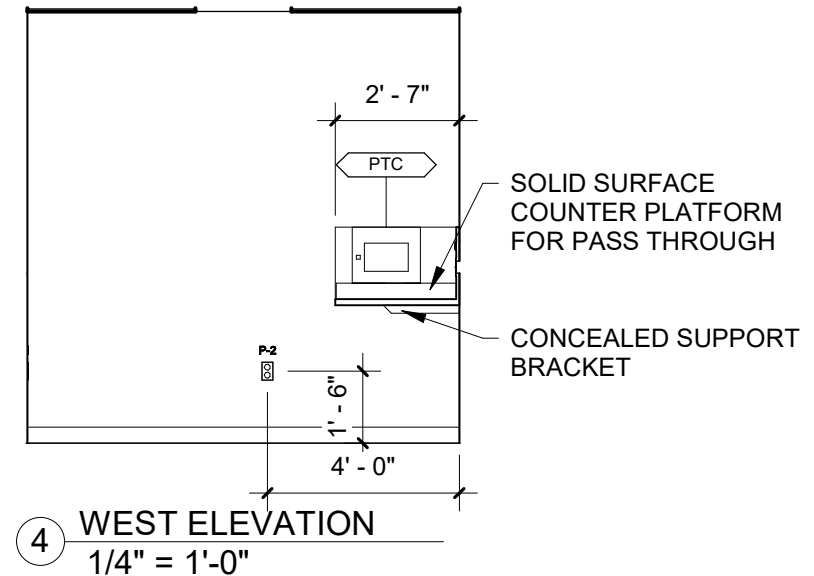
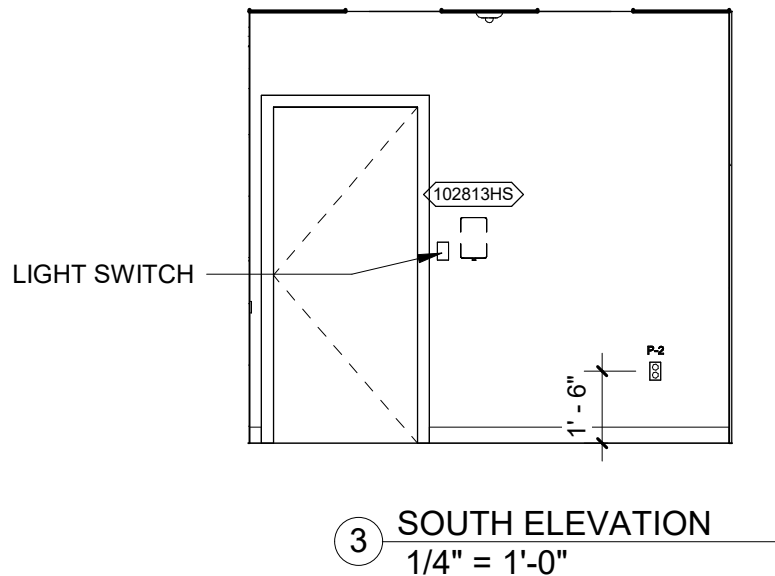
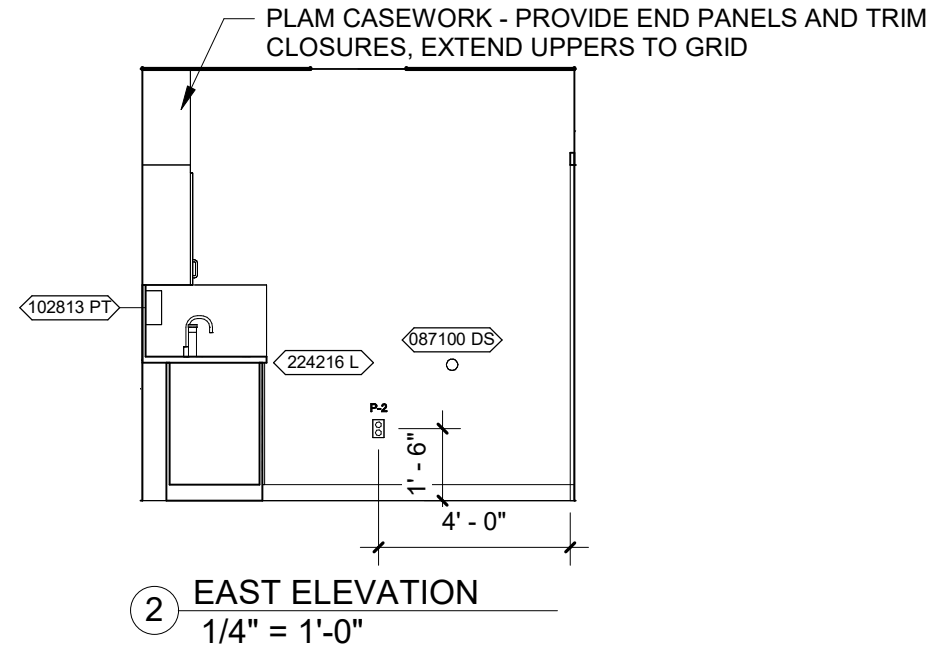
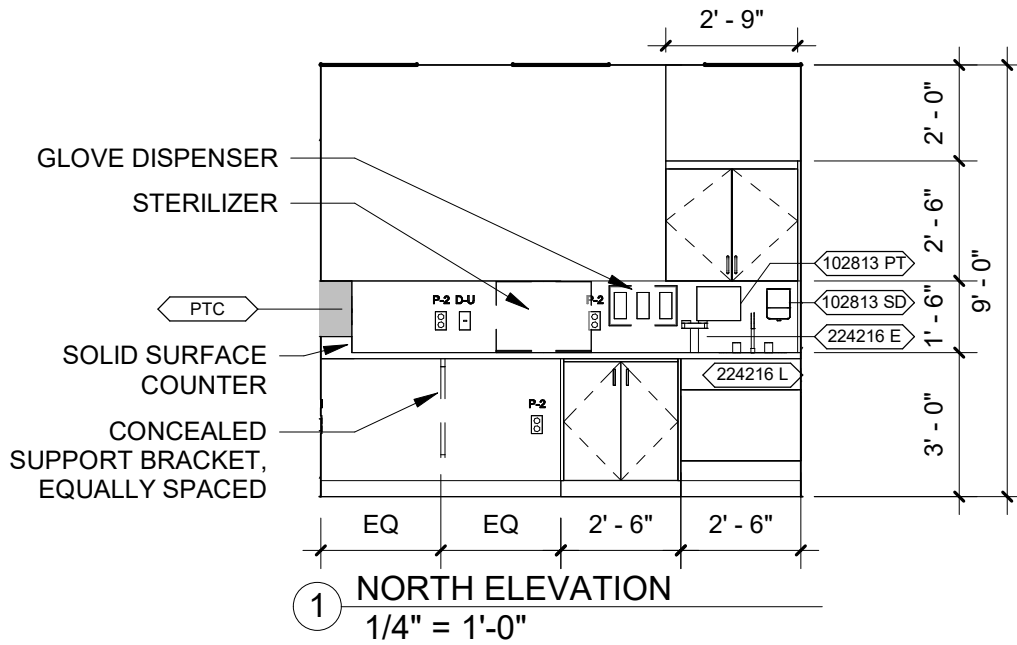
3 SOUTH ELEVATION
 1/4" = 1'-0"



4 WEST ELEVATION
 1/4" = 1'-0"

Space Design Guidelines - Basis of Design

Space: Clean / Soiled Utility with Pass Through	Department: Outpatient	Area: 171 SF
Drawing: Elevations - Clean	Drawing Scale: 1/4" = 1'-0"	Last Update: 12/20/2024



Space Design Guidelines - Basis of Design

Space: Clean / Soiled Utility with Pass Through	Department: Outpatient	Area: 171 SF
Drawing: Component Schedule	Drawing Scale: NTS	Last Update: 12/20/2024

UTSW ID	Product / Manuf / Item	Qty	LF	Utilities								Furnish	Comments	
				1	2	3	4	5	6	7	8			
3723-028	Sharps Cabinet, Wall Mtd.	1		-	-	-	-	-	-	-	-	-	OFOI	
4688-028	Waste, Black	2		-	-	-	-	-	-	-	-	-	OFOI	
087100 DS	Door Stop	2		-	-	-	-	-	-	-	-	-	CFCI	
102813 PT	Dispenser, Paper Towel, SS, Surface Mounted	2		-	-	-	-	-	-	-	-	-	CFCI	*Confirm per contract/lease requirements
102813 SD	Dispenser, Soap, Disposable	2		-	-	-	-	-	-	-	-	-	CFCI	*Confirm per contract/lease requirements
102813HS	Dispenser, Hand Sanitizer, Wall Mtd	2		-	-	-	-	-	-	-	-	-	CFCI	*Confirm per contract/lease requirements
224216 E	Hand-held eyewash	2		Y	-	-	-	-	-	-	-	-	CFCI	
224216 L	Sink, bottom mount, solid surface	2		Y	-	-	-	-	-	-	-	-	CFCI	
265119 UC	Under cabinet lights, LED	1		-	Y	-	-	-	-	-	-	-	CFCI	
GLVDP	3 Box Glove Dispenser	2		-	-	-	-	-	-	-	-	-	OFOI	
PTC	Wall Mtd. Pass through cabinet	1		-	Y	-	-	-	-	-	-	-	CFCI	Provide solid surface base. Confirm requirements for certification, exhaust, power, etc.
RM-SGN	Room Sign, Per Standards	2		-	-	-	-	-	-	-	-	-	CFCI	Location confirmed by UTSW PM and UTSW sign shop
STERIL	Sterilizer	1		-	Y	-	-	-	-	-	-	-	OFOI	

Utilities Key

- | | |
|-------------------------------------|----------------------------------|
| 1. Water / Drain - 1 sink and drain | 5. Non MedGas |
| 2. Electricity - Standard power | 6. Vacuum |
| 3. MedGas | 7. Data - Data and clinical data |
| 4. Misc Gas | 8. Misc. |

Furnish Key

- OFOI - Owner Furnished, Owner Installed
 OFVI - Owner Furnished, Vendor Installed
 OFCI - Owner Furnished, Contractor Installed
 CFCI - Contractor Furnished, Contractor Installed

Space Design Guidelines - Basis of Design

Space: Clean / Soiled Utility with Pass Through	Department: Outpatient	Area: 171 SF
Drawing: Data/Power Schedule	Drawing Scale: NTS	Last Update: 12/20/2024

Electrical Fixtures

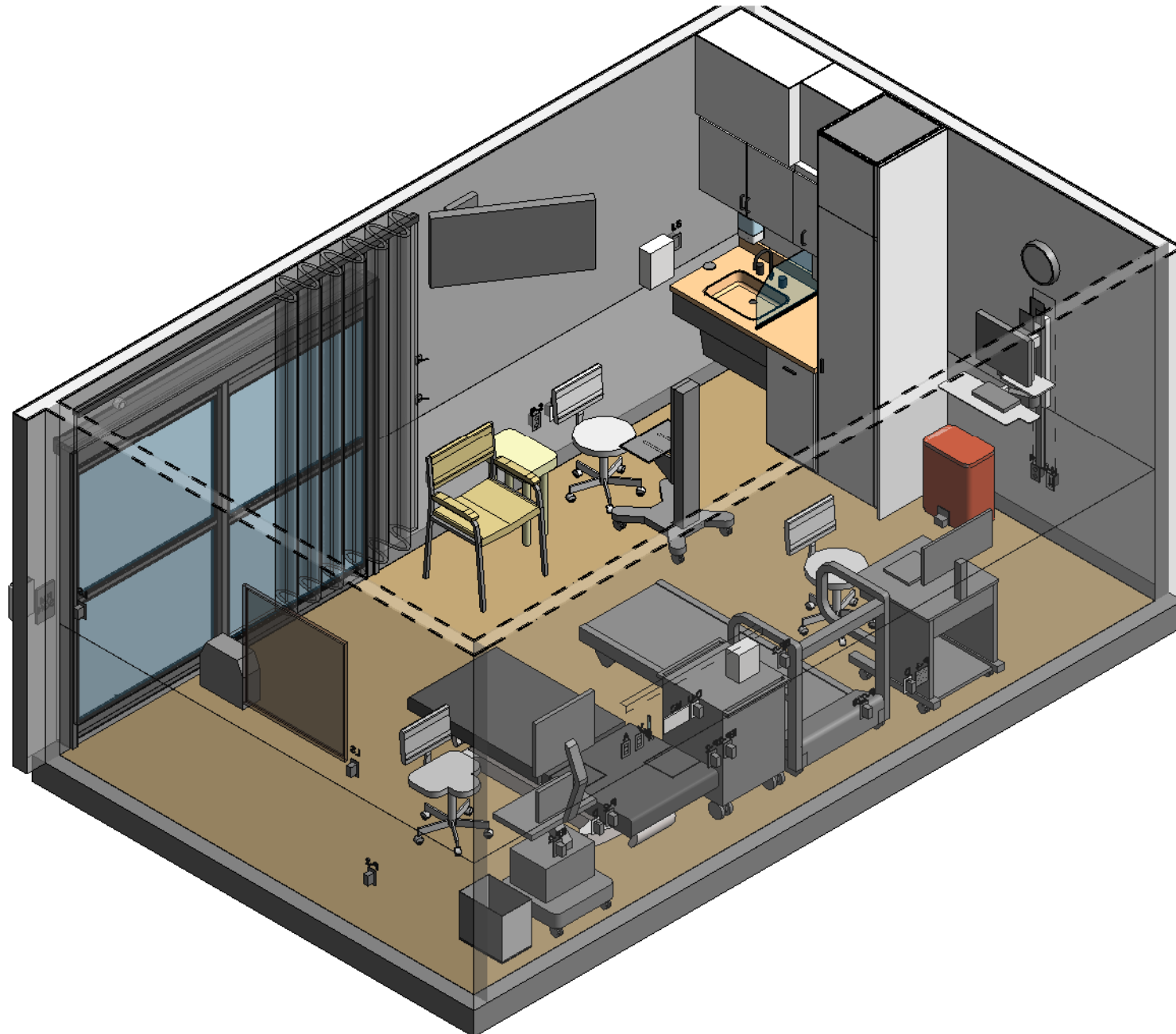
USTW ID	Item	Qty.
P-2	Power - Duplex - 120 V	12

Data Fixtures

ID	Nomenclature	Qty
Data-U	USB - 1 QTY	2

Space Design Guidelines - Basis of Design

Space:	Cardiac Stress / Echo (CVIR)	Department:	Inpatient	Area:	243 SF
Drawing:	Room Isometric	Drawing Scale:	NTS	Last Update:	12/20/2024



Space Design Guidelines - Basis of Design

Space: Cardiac Stress / Echo (CVIR)	Department: Inpatient	Area: 243 SF
Drawing: Space Notes Part 1	Drawing Scale: NTS	Last Update: 12/20/2024

CVIR - Cardiovascular Interventional Radiology

Codes and Regulations:

Information provided shall be confirmed with UTSW PM.

Furnish assignments shall be confirmed by the UTSW PM. Entity furnishing paper towel and soap dispensers shall be confirmed per project location and lease requirements.

Dashed equipment is specified per project by UTSW

Items noted with symbol are shown on the Component Schedule

UTSW Special Plan Considerations:

Flooring: Seamless Flooring such as Sheet Vinyl with welded seams

Base: Coved

Ceiling: 2x2 ACT

Walls: Paint

Cabinets: Plastic Laminate, extend upper casework to ceiling grid. All cabinets to have locks. Confirm digital options.

Countertops: Solid Surface Sink: Drop-in Stainless Steel

Blocking (BLKG) by GC shall be coordinated prior to installation.

Confirm crash cart requirements per clinic including location near-by room and emergency power.

Exterior windows are not preferred. Provide black-out roller shades if windows are present.

Discussion needed per project to confirm the needs for a nurse call station.

RCP Space Narrative:

Fire and life safety elements will be designed and laid out per project requirements.

Typical ACT ceiling. Confirm NRC requirements with UTSW PM.

UTSW Special RCP Considerations:

Refer to UTSW Design Guidelines to confirm light fixture types appropriate per project.

Fixtures shall be dimmable to provide full range.

Discuss with user group how light fixtures will be zoned and switched into groups. Confirm with user group if each 2x4 exam lights should be switched separately. Discuss best locations for lighting controls to ensure patient safety and provider usage.

Space Design Guidelines - Basis of Design

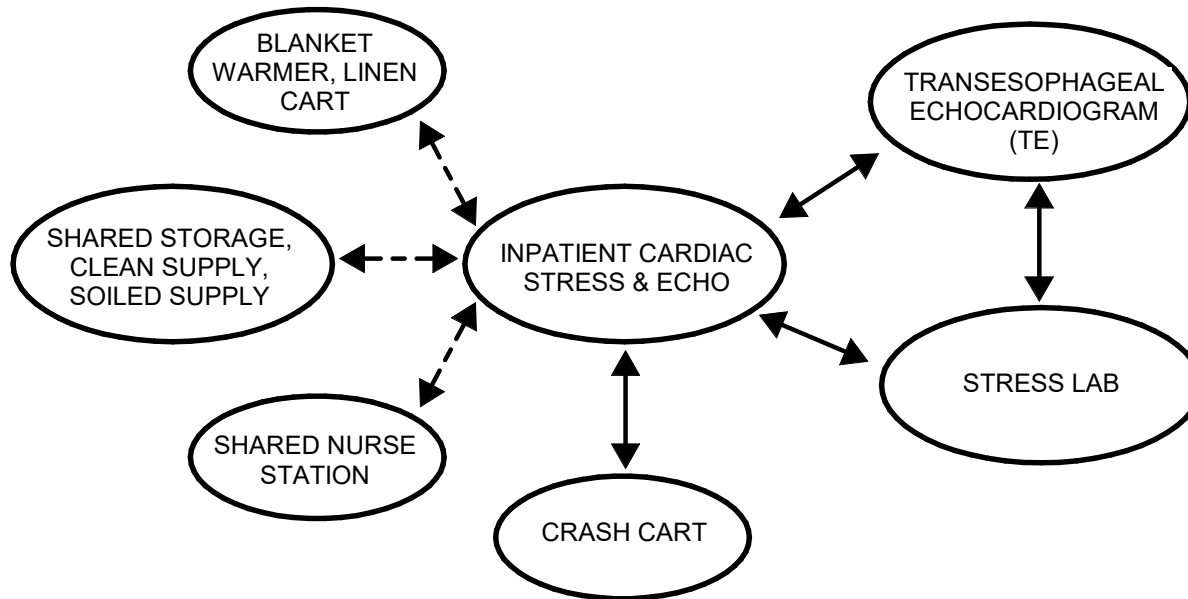
Space: Cardiac Stress / Echo (CVIR)	Department: Inpatient	Area: 243 SF
Drawing: Space Notes Part 2	Drawing Scale: NTS	Last Update: 12/20/2024

Codes and Regulations:

Spaces must follow applicable regulations including TAC 133.163 - Spatial Requirements for New Construction.

Design Considerations:

Confirm and discuss space relationships per project. Potential related spaces and relationships identified in diagram.

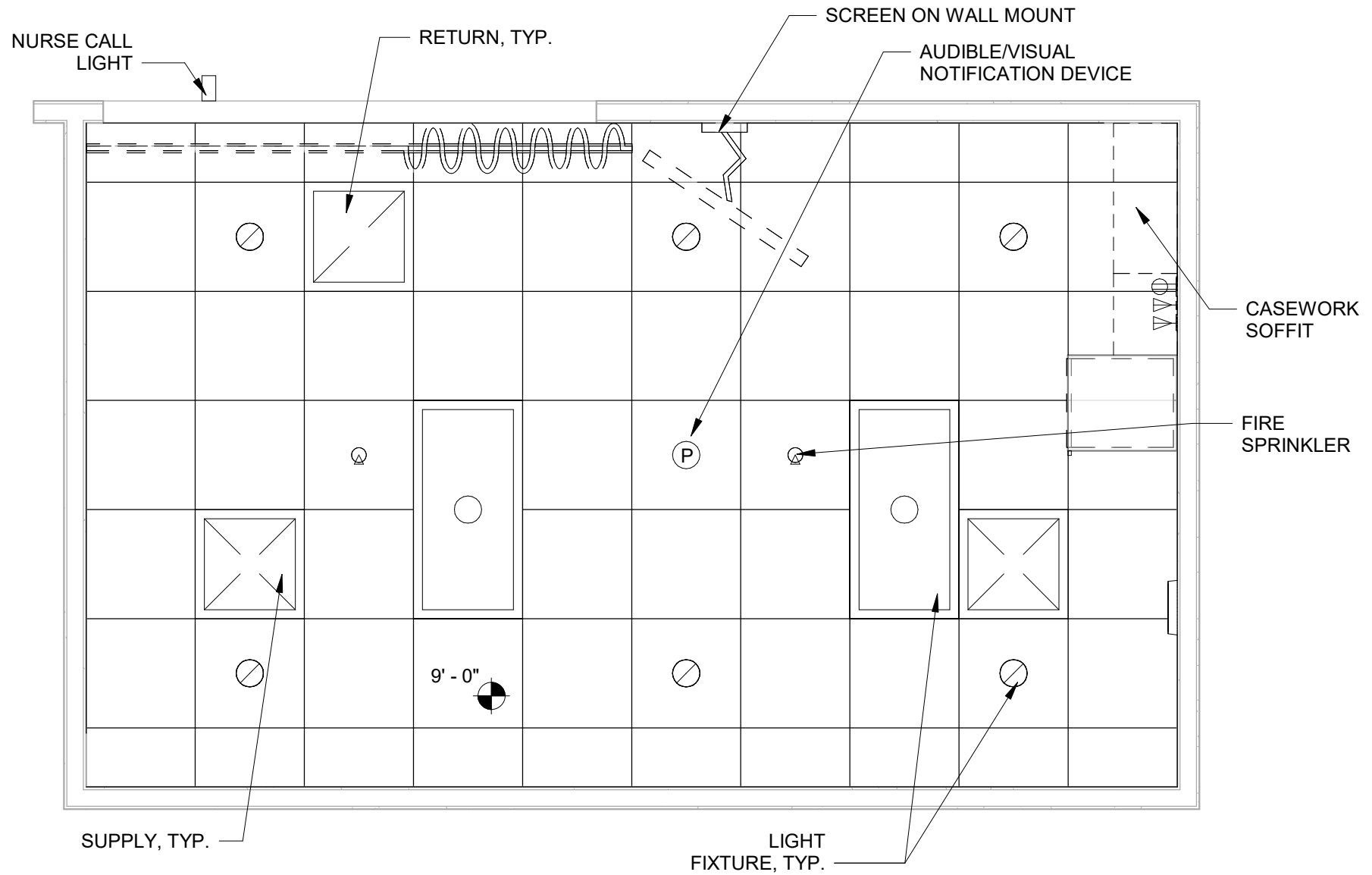


LEGEND

- One direction, Direct Relationship
- Two direction, Direct Relationship
- One direction, Indirect Relationship
- Two direction, Indirect Relationship

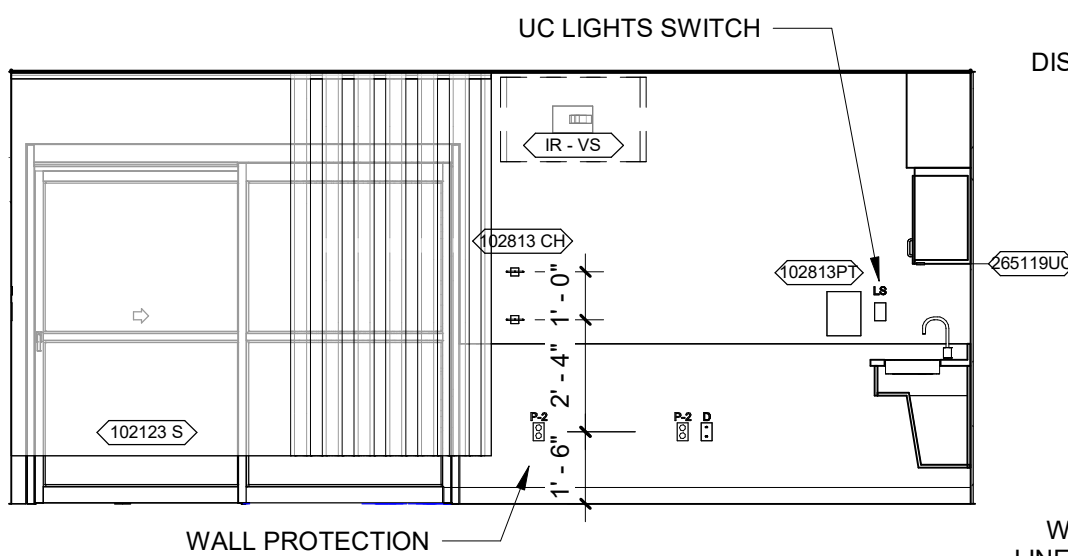
Space Design Guidelines - Basis of Design

Space: Cardiac Stress / Echo (CVIR)	Department: Inpatient	Area: 243 SF
Drawing: Reflected Ceiling Plan	Drawing Scale: 3/8" = 1'-0"	Last Update: 12/20/2024

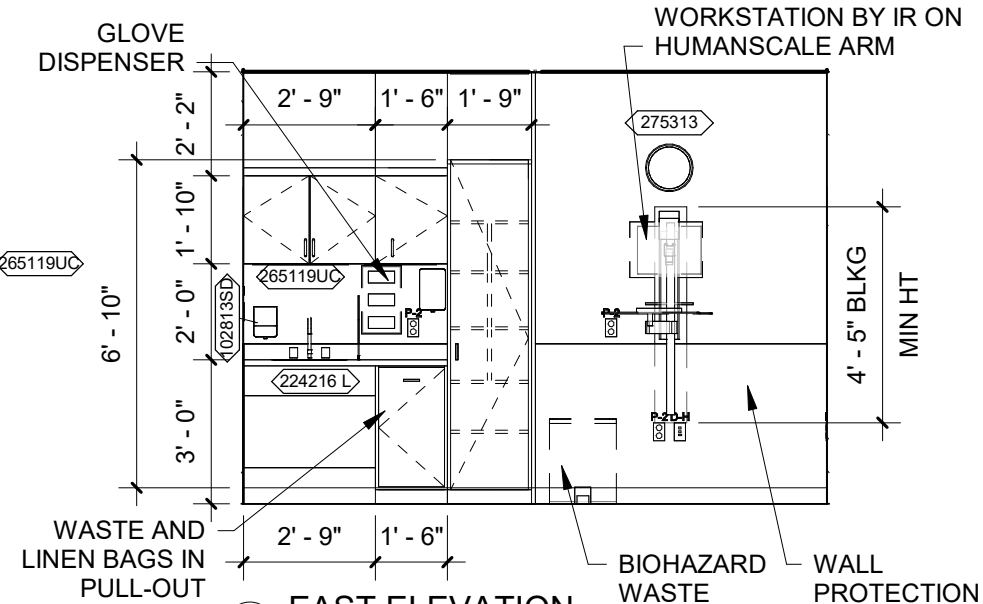


Space Design Guidelines - Basis of Design

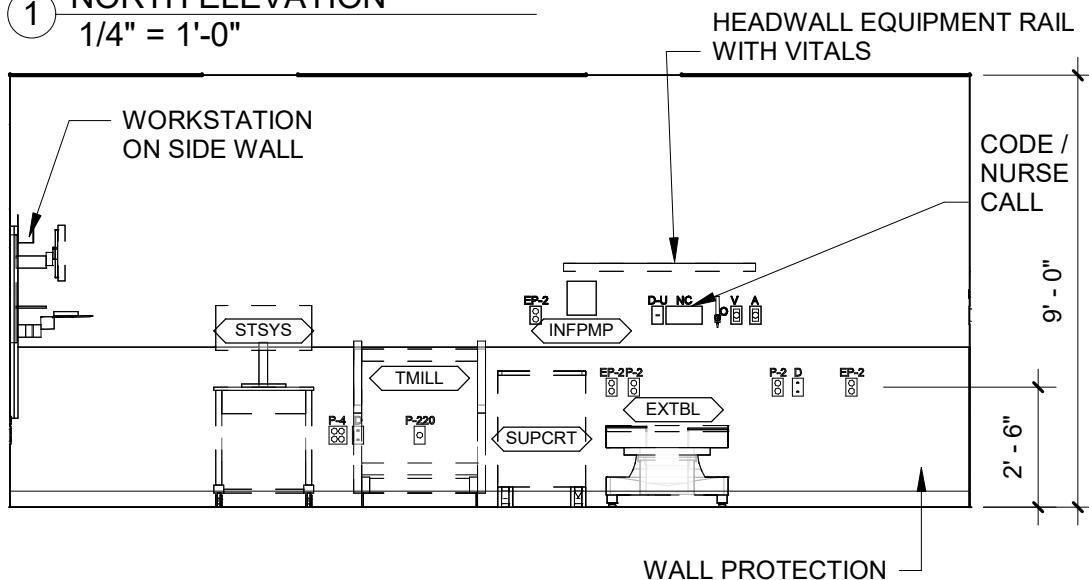
Space: Cardiac Stress / Echo (CVIR)	Department: Inpatient	Area: 243 SF
Drawing: Elevations	Drawing Scale: 1/4" = 1'-0"	Last Update: 12/20/2024



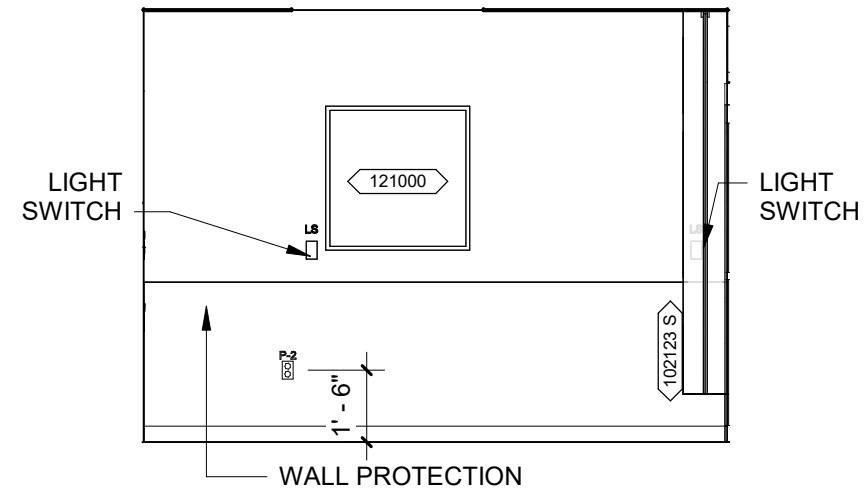
1 NORTH ELEVATION
 1/4" = 1'-0"



2 EAST ELEVATION
 1/4" = 1'-0"



3 SOUTH ELEVATION
 1/4" = 1'-0"



4 WEST ELEVATION
 1/4" = 1'-0"

Space Design Guidelines - Basis of Design

Space: Cardiac Stress / Echo (CVIR)	Department: Inpatient	Area: 243 SF
Drawing: Component Schedule	Drawing Scale: NTS	Last Update: 12/20/2024

UTSW ID	Product / Manuf / Item	Qty	LF	Utilities								Furnish	Comments	
				1	2	3	4	5	6	7	8			
102123 S	Straight Track, Surface Mounted, With Curtain	1	10	-	-	-	-	-	-	-	-	-	CFCI	IA specifies curtain
102813 CH	Hook, Garment, Double, SS, Surface Mounted	2		-	-	-	-	-	-	-	-	-	CFCI	
102813HS	Dispenser, Hand Sanitizer, Wall Mtd.	2		-	-	-	-	-	-	-	-	-	CFCI	*Confirm per contract/lease requirements
102813PT	Dispenser, Paper Towel, SS, Surface Mounted	1		-	-	-	-	-	-	-	-	-	CFCI	*Confirm per contract/lease requirements
102813SD	Dispenser, Soap, Disposable	1		-	-	-	-	-	-	-	-	-	CFCI	*Confirm per contract/lease requirements
121000	Artwork, Decorative, With Frame	1		-	-	-	-	-	-	-	-	-	OFOI	Confirm Location
124600 BH	Biohazard Waste	1		-	-	-	-	-	-	-	-	-	OFOI	
124600 W	Waste, open	2		-	-	-	-	-	-	-	-	-	OFOI / CFCI	1 built into casework
125213 G	Guest Chair, Side With Arms	1		-	-	-	-	-	-	-	-	-	OFOI	
125823	Side Table	1		-	-	-	-	-	-	-	-	-	OFOI	
224216 L	Sink, drop in, stainless steel	1		Y	-	-	-	-	-	-	-	-	CFCI	
265119UC	Under cabinet lights, LED	2		-	Y	-	-	-	-	-	-	-	CFCI	
275313	Clock	1		-	-	-	-	-	-	-	-	-	OFOI	
CODE/RN	Code / Nurse Call Button	1		-	Y	-	-	-	-	Y	-	-	CFCI	Confirm requirements per project. Includes light fixture in hallway.
EXTBL	Echo Exam Table	1		-	Y	-	-	-	-	-	-	-	OFOI	Dedicated circuit required.
GLVDP	3 Box Glove Dispenser	1		-	-	-	-	-	-	-	-	-	OFOI	
HZRAIL	Horizontal Rail - Headwall	1		-	-	-	-	-	-	-	-	-	OFOI	
INFPMP	Infusion Pump, Wall Mounted	1		-	Y	-	-	-	-	-	-	-	OFOI	*Confirm per contract/lease requirements

Utilities Key

- | | |
|---------------------------------|----------------------------------|
| 1. Water / Drain | 5. Non MedGas |
| 2. Electricity - Standard power | 6. Vacuum |
| 3. MedGas | 7. Data - Data and clinical data |
| 4. Misc Gas | 8. Misc. |

Furnish Key

- OFOI - Owner Furnished, Owner Installed
 OFVI - Owner Furnished, Vendor Installed
 OFCI - Owner Furnished, Contractor Installed
 CFCI - Contractor Furnished, Contractor Installed

Space Design Guidelines - Basis of Design

Space: Cardiac Stress / Echo (CVIR)	Department: Inpatient	Area: 243 SF
Drawing: Component Schedule	Drawing Scale: NTS	Last Update: 12/20/2024

UTSW ID	Product / Manuf / Item	Qty	LF	Utilities								Furnish	Comments
				1	2	3	4	5	6	7	8		
IR	Track and Bracket, Humanscale	1		-	-	-	-	-	-	-	-	OFOI	Install blocking behind track starting at least 4" above and below track. Locate bottom of track 1" above top of backsplash.
IR - VS	View Screen	1		-	Y	-	-	-	-	-	Y	OFOI	Confirm utilities: COAX, data, etc. Includes wall mounted arm.
MOW	Mobile, Workstation	1		-	Y	-	-	-	-	Y	-	OFOI	
RM-SGN	Room Sign, Per Standards	1		-	-	-	-	-	-	-	-	CFCI	Location confirmed by UTSW PM and UTSW sign shop
SHRP	Sharps, Wall Mtd.	1		-	-	-	-	-	-	-	-	OFOI	
SONOSTL	Sonographer Stool	1		-	-	-	-	-	-	-	-	OFOI	
STLBK	Stool with Back	2		-	-	-	-	-	-	-	-	OFOI	
STSYS	Stress Test System on Cart	1		-	Y	-	-	-	-	Y	-	OFOI	
SUPCRT	Cart, General Storage, Mobile	1		-	-	-	-	-	-	-	-	OFOI	
TMILL	Treadmill	1		-	Y	-	-	-	-	Y	-	OFOI	Emergency 220V required, confirm NEMA plug required
U-A	Utilities: Air	1		-	-	Y	-	-	-	-	-	CFCI	
U-OXY	Utilities: Flowmeter, Oxygen, Low Flow	1		-	-	Y	-	-	-	-	-	CFCI	
U-S	Utilities: Suction	1		-	-	Y	-	-	-	-	-	CFCI	
ULTSND	Mobile, Ultrasound	1		-	Y	-	-	-	-	Y	-	OFOI	Emergency Power and dedicated circuit required.
WKSTN	Clinical Workstation	1		-	Y	-	-	-	-	Y	-	OFOI	

Utilities Key

- | | |
|---------------------------------|----------------------------------|
| 1. Water / Drain | 5. Non MedGas |
| 2. Electricity - Standard power | 6. Vacuum |
| 3. MedGas | 7. Data - Data and clinical data |
| 4. Misc Gas | 8. Misc. |

Furnish Key

- OFOI - Owner Furnished, Owner Installed
 OFVI - Owner Furnished, Vendor Installed
 OFCI - Owner Furnished, Contractor Installed
 CFCI - Contractor Furnished, Contractor Installed

Space Design Guidelines - Basis of Design

Space: Cardiac Stress / Echo (CVIR)	Department: Inpatient	Area: 243 SF
Drawing: Data/Power Schedule	Drawing Scale: NTS	Last Update: 12/20/2024

Electrical Fixtures

USTW ID	Item	Qty.
EP-2	Emergency Power - Duplex - 120 V	3
P-2	Power - Duplex - 120 V	9
P-4	Power - Quad - 120V	1
P-220	Power - 220 V	1

Data Fixtures

UTSW ID	Item	Qty
D-2	Data- Qty 2	4
D-H	Data - Qty 2, USB - Qty 1	1
D-U	USB - Qty 1	1
TV	Coaxial Cable (TV)	1

UTSW Special Considerations:

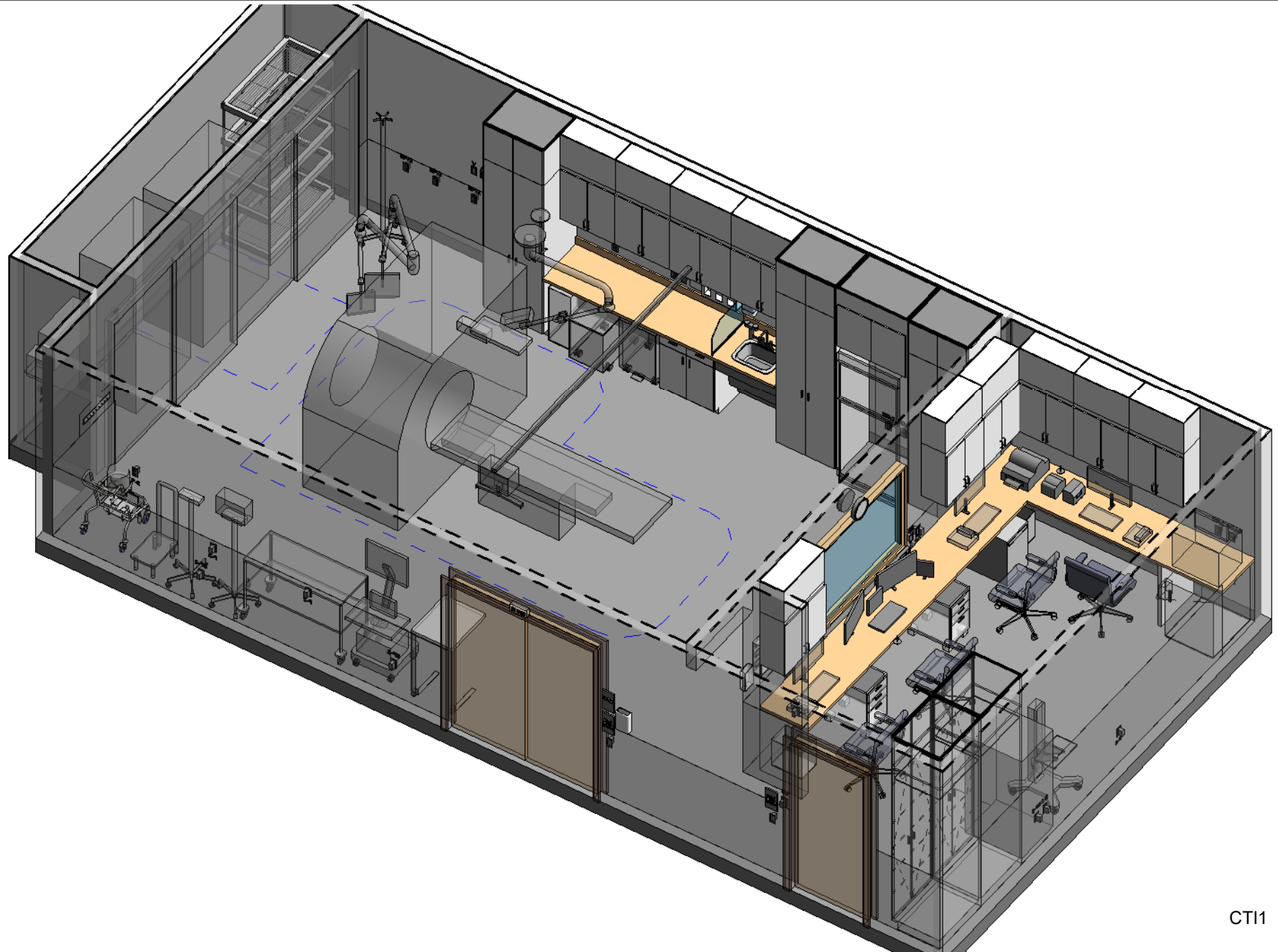
Per project, confirm special power requirements such as dedicated circuits for echo exam table and ultrasound.

For screen installations, each shall be ADA/TAS compliant. Options include providing power with TV/coaxial cable or providing data and wall-mounted arm as well. For installations with all three utilities, discuss providing recessed back-box to ensure installation is ADA/TAS compliant.

Additional utilities to discuss: Oxygen, Suction, Air.

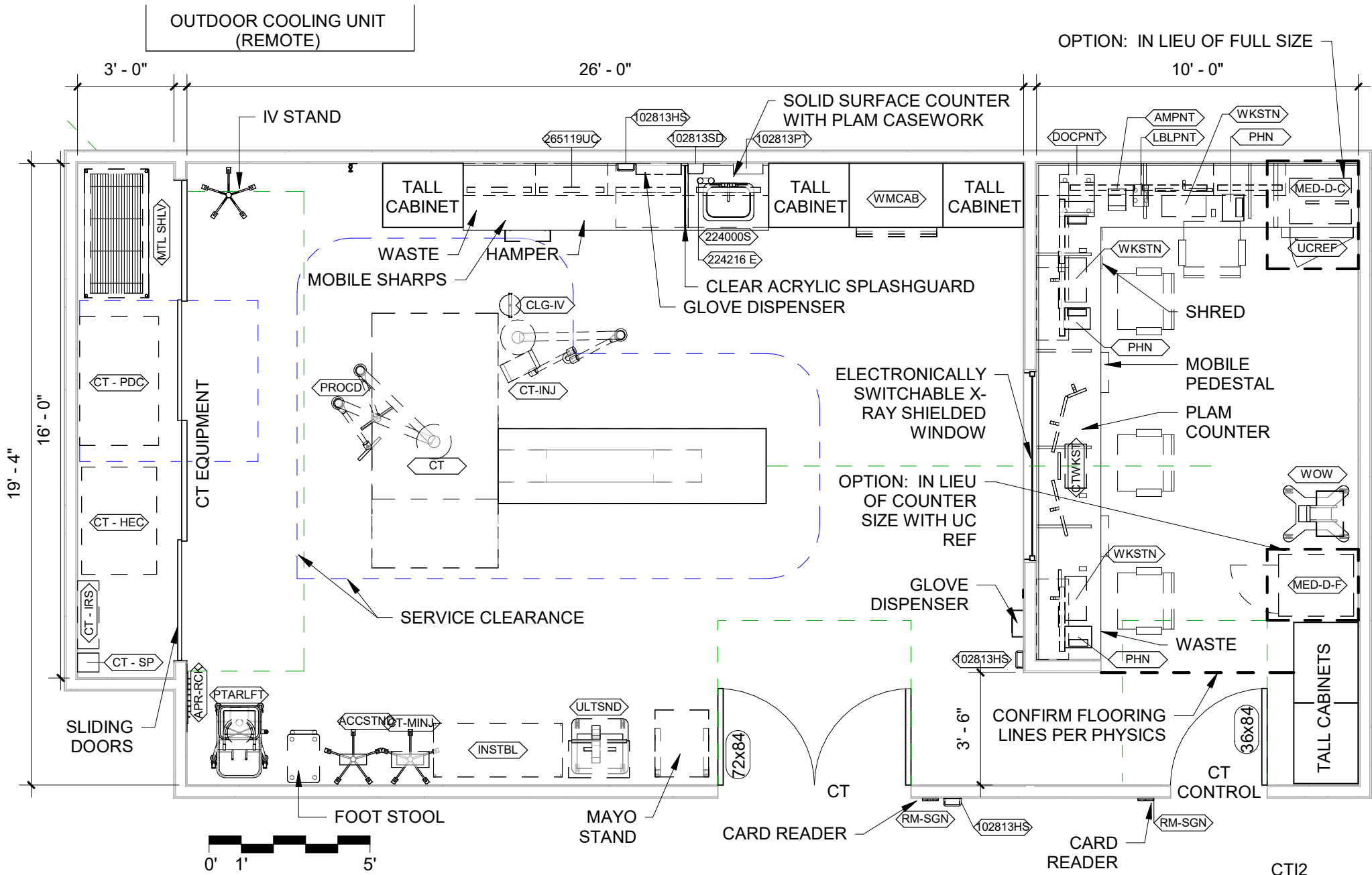
Space Design Guidelines - Basis of Design

Space: CT Suite (Inpatient Imaging / Outpatient Imaging Procedure)	Department: Inpatient, Outpatient	Area: 750 SF
Drawing: Room Isometric	Drawing Scale: NTS	Last Update: 12/20/2024



Space Design Guidelines - Basis of Design

Space: CT Suite (Inpatient Imaging / Outpatient Imaging Procedure)	Department: Inpatient, Outpatient	Area: 750 SF
Drawing: Floor Plan	Drawing Scale: 1/4" = 1'-0"	Last Update: 12/20/2024



Space Design Guidelines - Basis of Design

Space: CT Suite (Inpatient Imaging / Outpatient Imaging Procedure)	Department: Inpatient, Outpatient	Area: 750 SF
Drawing: Space Notes - Part 1	Drawing Scale: NTS	Last Update: 12/20/2024

Plan Space Narrative:

Information provided shall be confirmed with UTSW PM.

Furnish assignments shall be confirmed by the UTSW PM. Entity furnishing paper towel and soap dispensers shall be confirmed per project location and lease requirements.

Dashed equipment is specified per project by UTSW

Items noted with symbol are shown on the Component Schedule

UTSW Special Plan Considerations:

Flooring: Welded Sheet Vinyl or Resinous Floor

Base: Integral, Coved, Match Flooring

Ceiling: 2x2 ACT

Walls: Wall Protection with Paint above.

Cabinets: PLAM All cabinet doors and drawers to have locks.

Countertops: SS Solid Surface, Clear acrylic splash guard (CFCI). Locate to accommodate accessories and user requirements.

Blocking (BLKG) by GC shall be provided for all wall-mounted equipment and coordinated prior to IFC.

GC shall run conduit from the Data-H to Data-U for vitals connection to Epic at workstation, if present.

RCP Space Narrative:

Fire and life safety elements will be designed and laid out per project requirements.

Final layouts of access panels shall provide easy access to items with maintenance requirements.

UTSW Special RCP Considerations:

Refer to UTSW Design Guidelines to confirm light fixture types appropriate per project.

Fixtures shall be dimmable to provide full range from low light to full light levels.

Space Design Guidelines - Basis of Design

Space: CT Suite (Inpatient Imaging / Outpatient Imaging Procedure)	Department: Inpatient, Outpatient	Area: 750 SF
Drawing: Space Notes - Part 2	Drawing Scale: NTS	Last Update: 12/20/2024

Space Considerations:

The CT room size and configuration shall be based on the minimum requirements for the project specific equipment and usage requirements. Design shall ensure required access areas, work zones, and clearances are provided for all equipment and processes.

Layout shall ensure easy and safe movement for patients and providers. Where infrastructure allows, provide ceiling mounted patient lift. Document accessory equipment space needs, storage requirements, and work areas for the project.

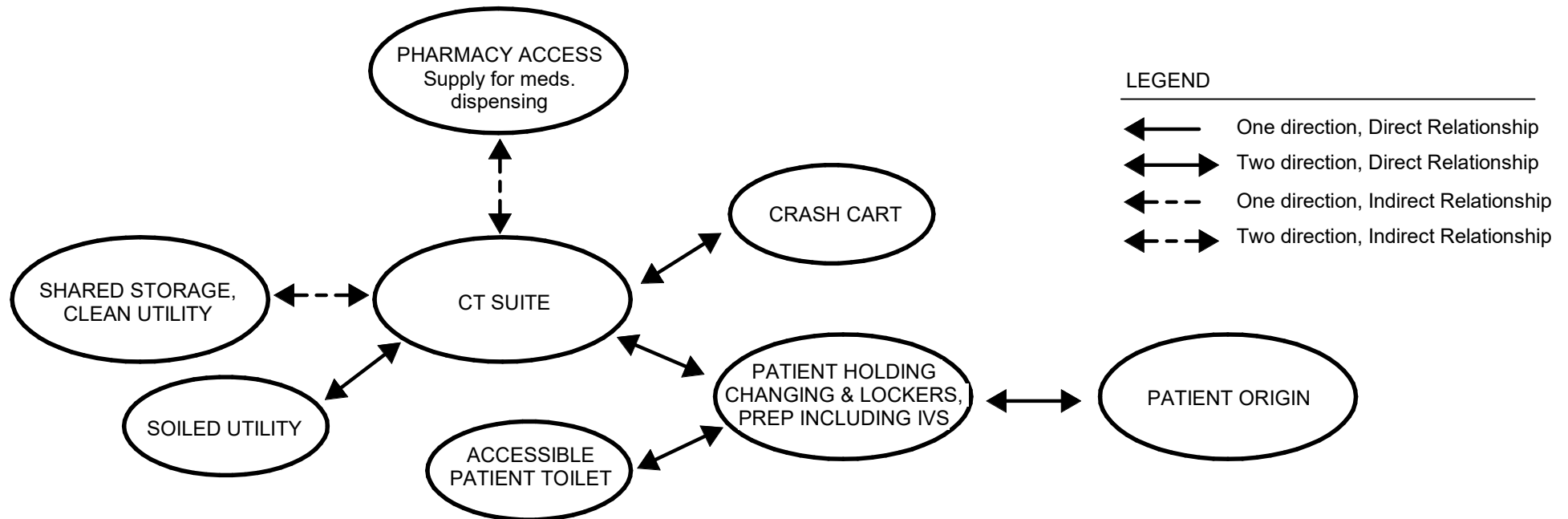
Confirm emergency power locations and emergency notification systems (CDAS or RTLS). Discuss requirements for dedicated circuits.

Confirm locations for card readers and door hardware needs. Doors are typically equal pair doors into the CT suite with card readers on all entry points.

Confirm amount of computers, monitors, phones, and accessories required on the Control room work surface. Mobile pedestal quantities to be confirmed per project. Provide upper cabinets for storage.

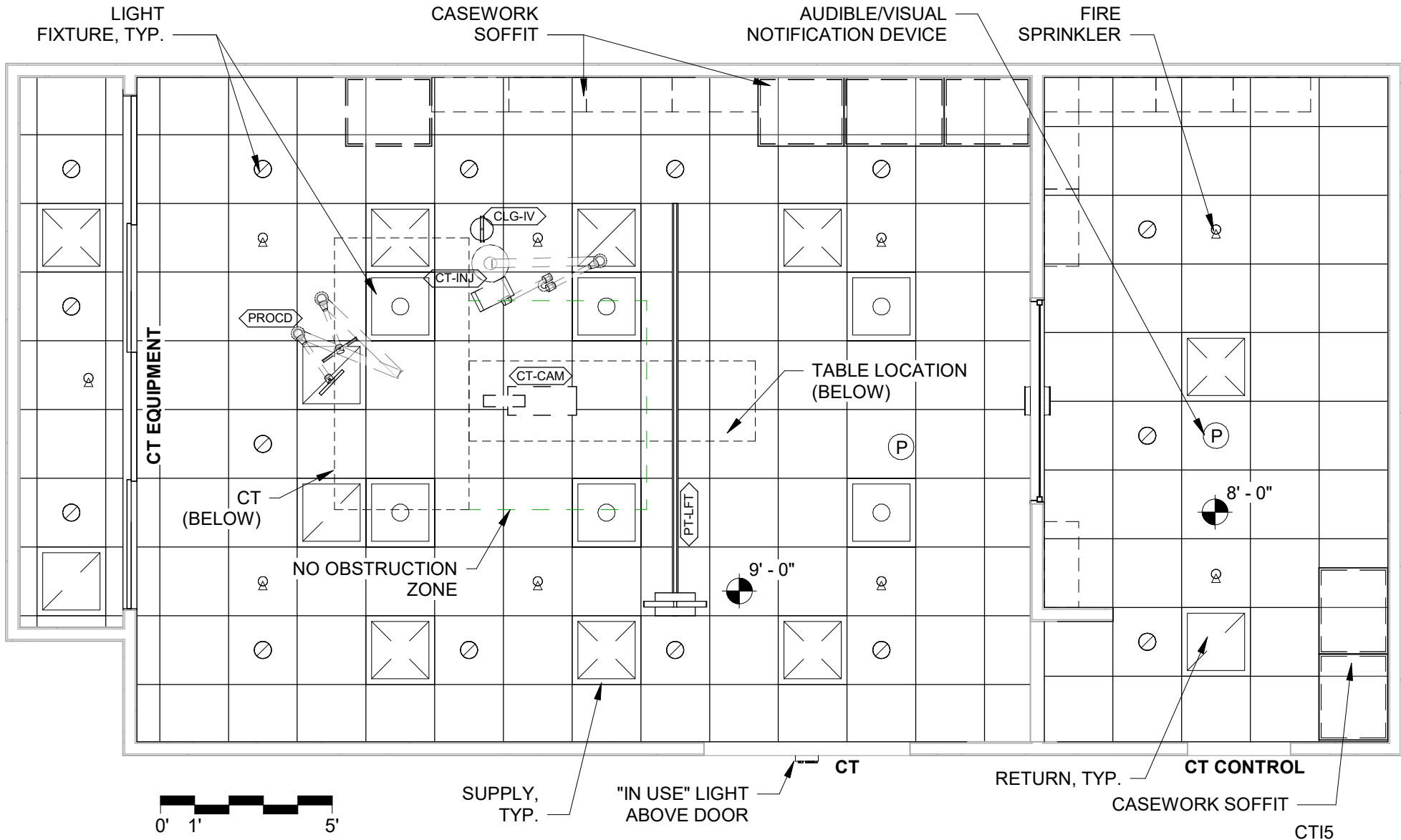
Design Considerations:

Confirm space relationships, connections, and traffic patterns per project.



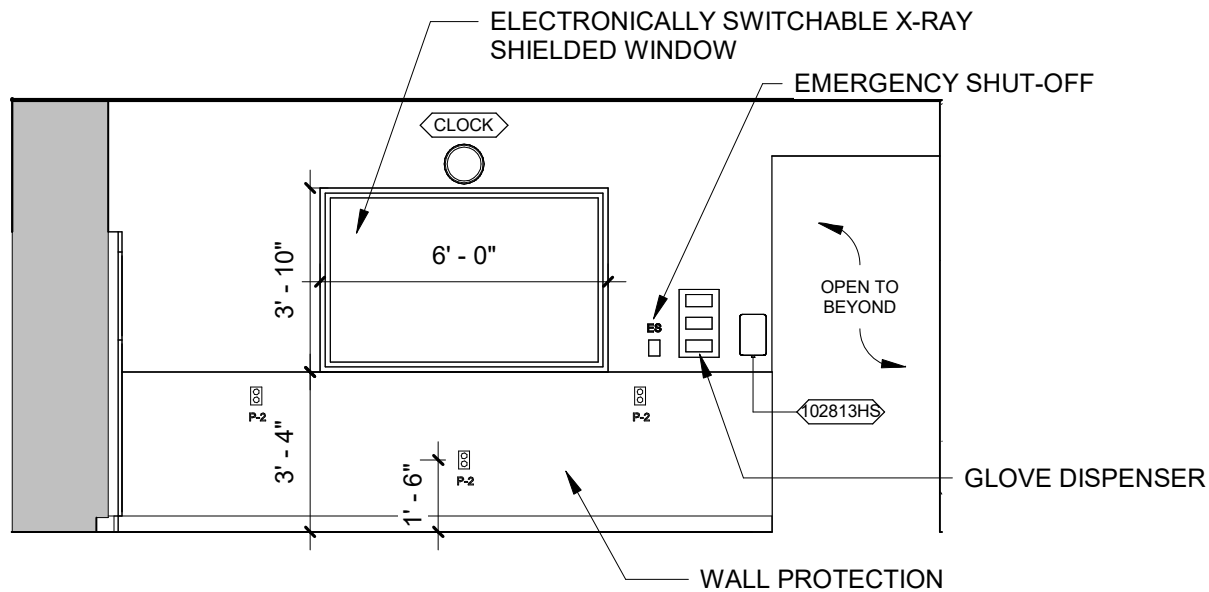
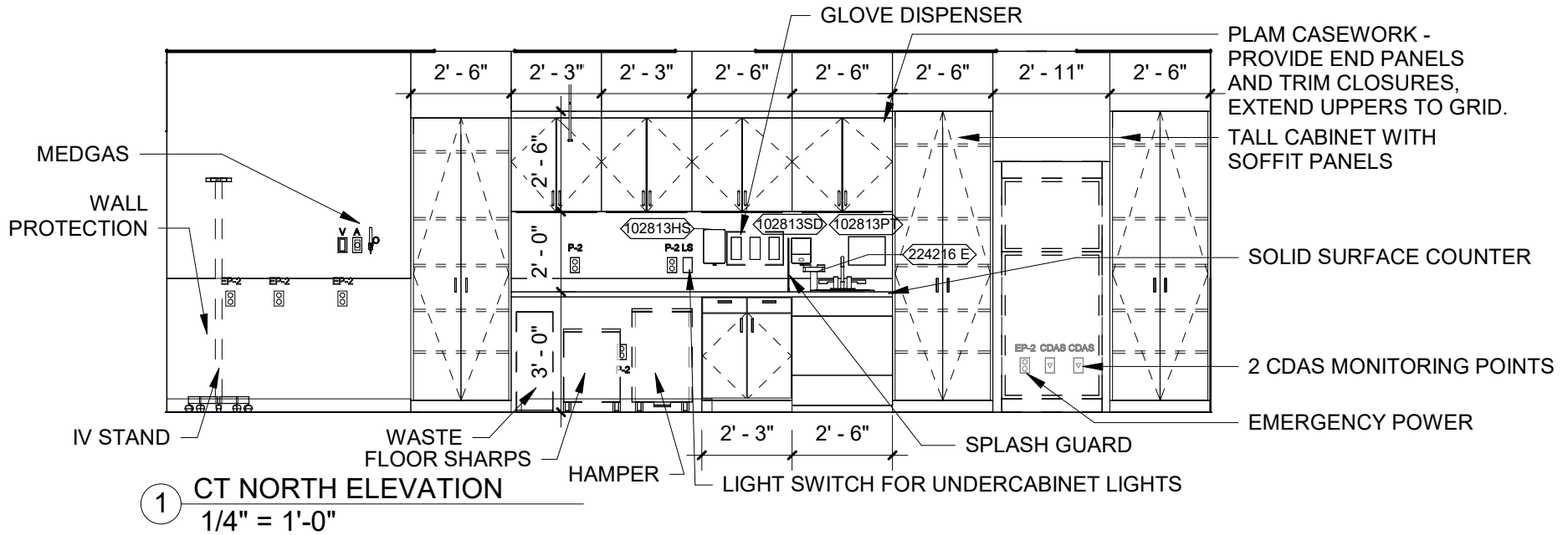
Space Design Guidelines - Basis of Design

Space: CT Suite (Inpatient Imaging / Outpatient Imaging Procedure)	Department: Inpatient, Outpatient	Area: 750 SF
Drawing: Reflected Ceiling Plan	Drawing Scale: 1/4" = 1'-0"	Last Update: 12/20/2024



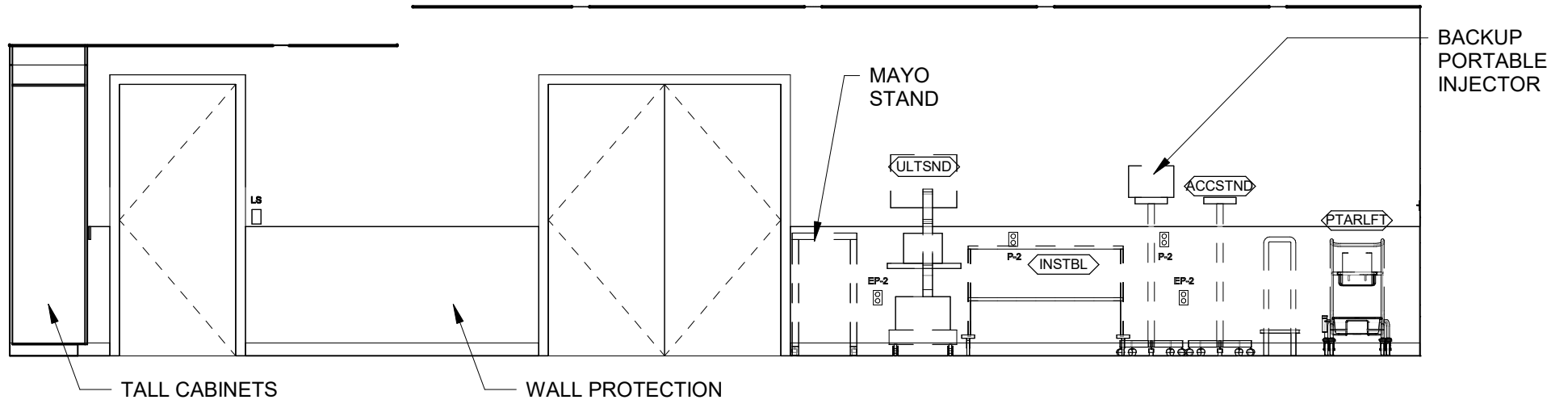
Space Design Guidelines - Basis of Design

Space: CT Suite (Inpatient Imaging / Outpatient Imaging Procedure)	Department: Inpatient, Outpatient	Area: 750 SF
Drawing: CT Elevations	Drawing Scale: 1/4" = 1'-0"	Last Update: 12/20/2024

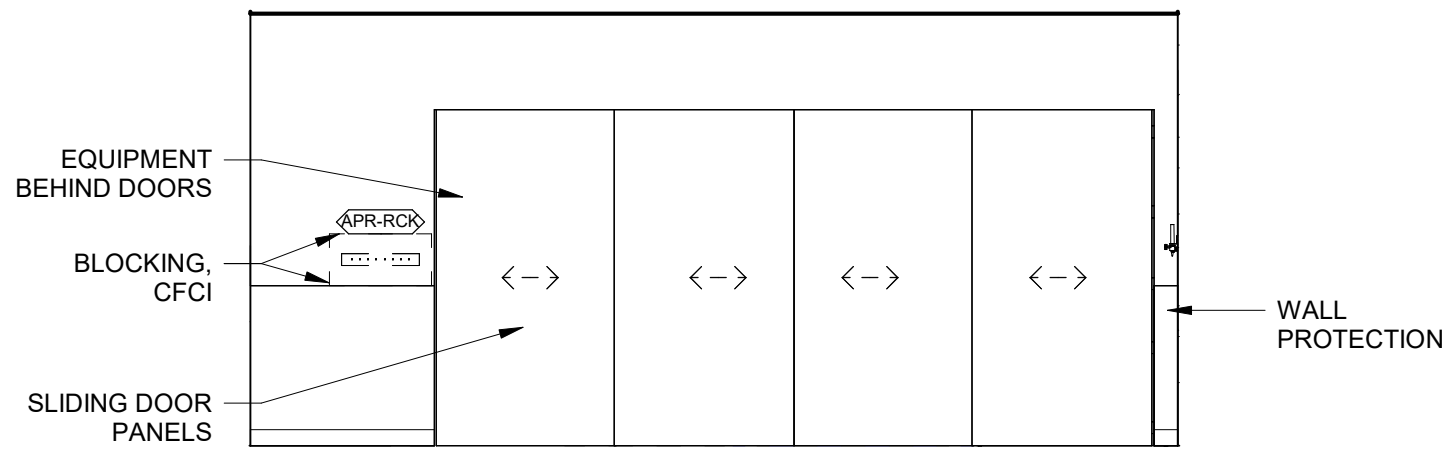


Space Design Guidelines - Basis of Design

Space: CT Suite (Inpatient Imaging / Outpatient Imaging Procedure)	Department: Inpatient, Outpatient	Area: 750 SF
Drawing: CT Elevations	Drawing Scale: 1/4" = 1'-0"	Last Update: 12/20/2024



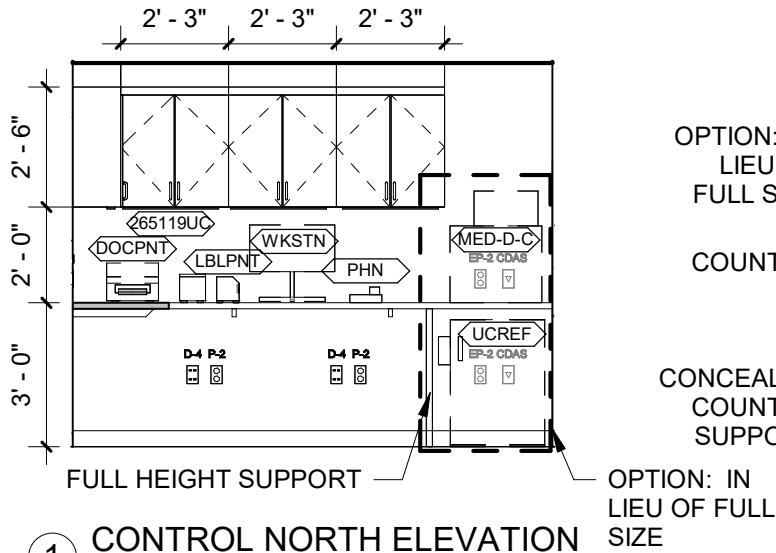
① CT SOUTH ELEVATION
 1/4" = 1'-0"



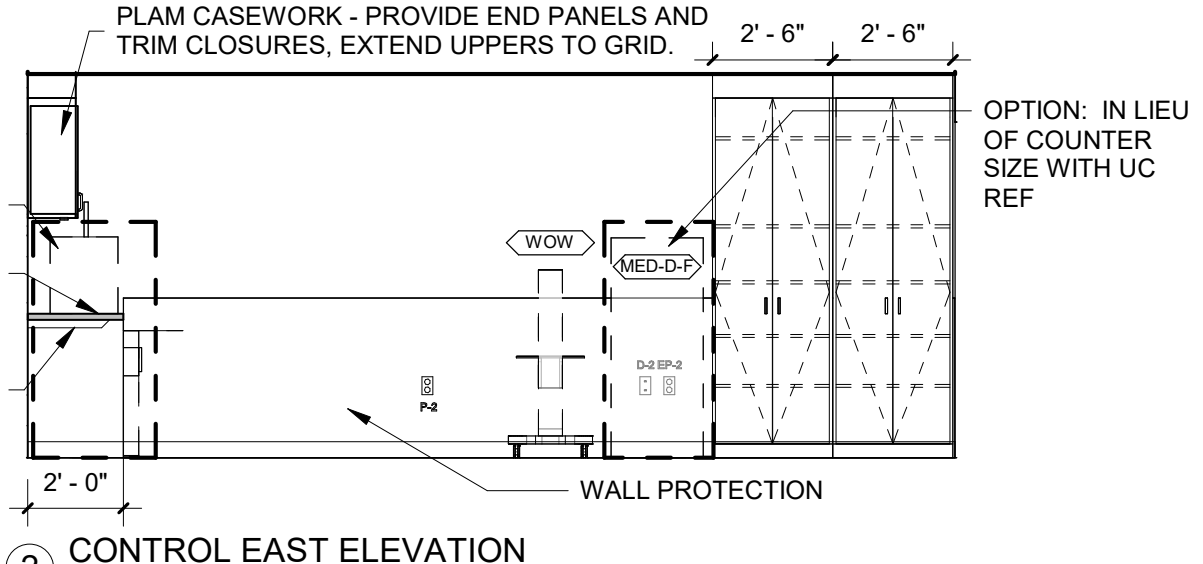
② CT WEST ELEVATION
 1/4" = 1'-0"

Space Design Guidelines - Basis of Design

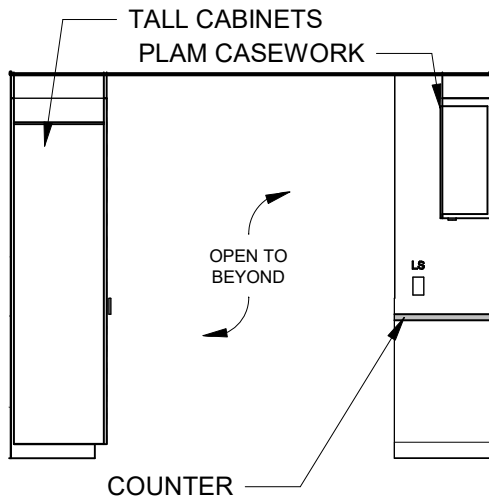
Space: CT Suite (Inpatient Imaging / Outpatient Imaging Procedure)	Department: Inpatient, Outpatient	Area: 750 SF
Drawing: Control Elevations	Drawing Scale: 1/4" = 1'-0"	Last Update: 12/20/2024



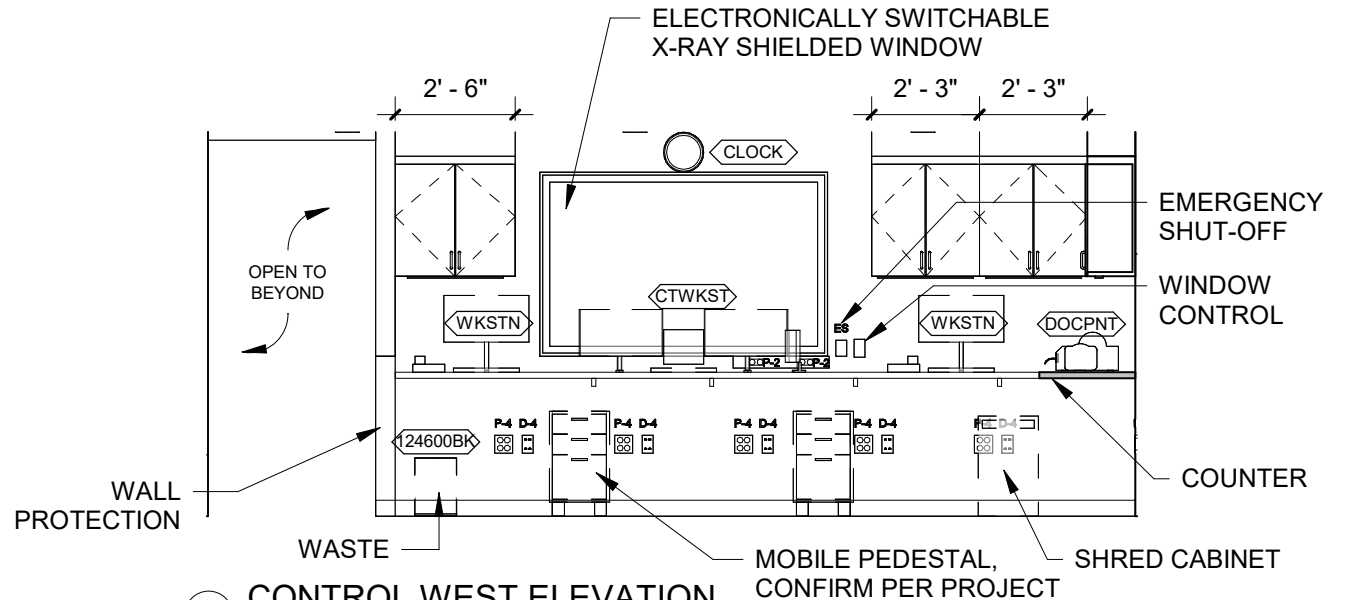
1 CONTROL NORTH ELEVATION
 1/4" = 1'-0"



2 CONTROL EAST ELEVATION
 1/4" = 1'-0"



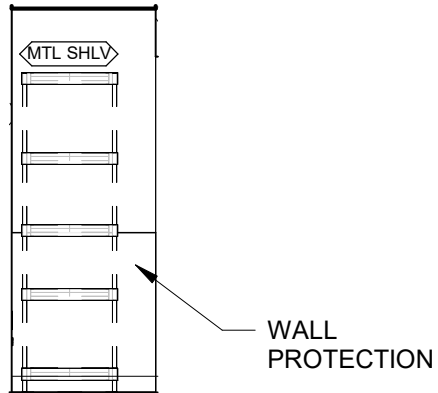
3 CONTROL SOUTH ELEVATION
 1/4" = 1'-0"



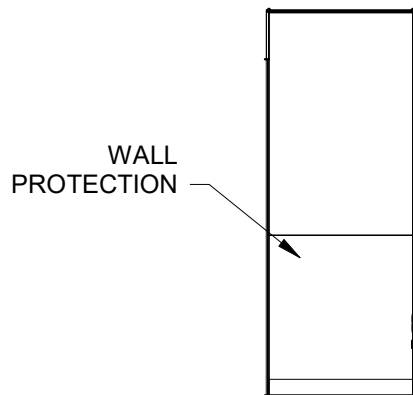
4 CONTROL WEST ELEVATION
 1/4" = 1'-0"

Space Design Guidelines - Basis of Design

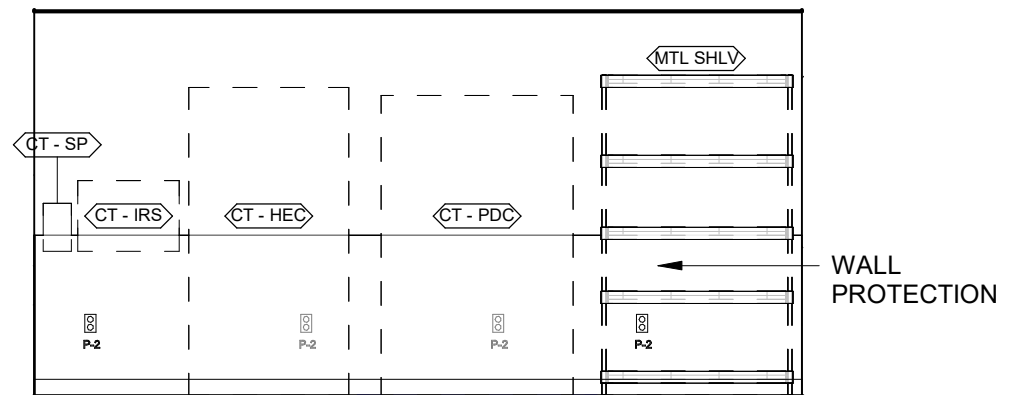
Space: CT Suite (Inpatient Imaging / Outpatient Imaging Procedure)	Department: Inpatient, Outpatient	Area: 750 SF
Drawing: Equipment Room Elevations	Drawing Scale: 1/4" = 1'-0"	Last Update: 12/20/2024



① **EQUIP NORTH ELEVATION**
 1/4" = 1'-0"



② **EQUIP SOUTH ELEVATION**
 1/4" = 1'-0"



③ **EQUIP WEST ELEVATION**
 1/4" = 1'-0"

Space Design Guidelines - Basis of Design

Space: CT Suite (Inpatient Imaging / Outpatient Imaging Procedure)	Department: Inpatient, Outpatient	Area: 750 SF
Drawing: Component Schedule - Part 1	Drawing Scale: NTS	Last Update: 12/20/2024

UTSW ID	Product / Manuf / Item	Qty	LF	Utilities								Furnish	Comments	
				1	2	3	4	5	6	7	8			
102813HS	Dispenser, Hand Sanitizer,	3		-	-	-	-	-	-	-	-	-	CFCI	*Confirm per contract/lease reqs.
102813PT	Dispenser, Paper Towel, SS,	1		-	-	-	-	-	-	-	-	-	CFCI	*Confirm per contract/lease reqs.
102813SD	Dispenser, Soap, Disposable	1		-	-	-	-	-	-	-	-	-	CFCI	*Confirm per contract/lease reqs.
224000S	Sink, SS, Single	1		Y	-	-	-	-	-	-	-	-	CFCI	Drop-in, stainless steel
224216 E	Hand-held eyewash	1		Y	-	-	-	-	-	-	-	-	CFCI	
265119UC	Under cabinet lights, LED	10		-	Y	-	-	-	-	-	-	-	CFCI	Controls with room switching
ACCSTND	Accessory Stand	1		-	-	-	-	-	-	-	-	-	OFOI	
AIR	Air	1		-	-	Y	-	-	-	-	-	-	CFCI	
AMPNT	Printer, Armband	1		-	Y	-	-	-	-	-	-	-	OFOI	
APR-RCK	4 Apron Rack	1		-	-	-	-	-	-	-	-	-	OFCI	Confirm blocking requirements.
CLG-IV	Ceiling Mounted IV Pole	1		-	-	-	-	-	-	-	-	-	OFCI	
CLOCK	Clock, 10" Diameter	2		-	-	-	-	-	-	-	Y	-	OFOI	
CT	CT Scanner	1		-	Y	-	-	-	-	-	Y	-	OFOI	Confirm emergency power.
CT - HEC	CT - Heat exchanger cabinet	1		-	Y	-	-	-	-	-	Y	-	OFOI	
CT - IRS	CT - Image reconstruction system	1		-	Y	-	-	-	-	-	Y	-	OFOI	
CT - PDC	CT - Power distribution cabinet	1		-	Y	-	-	-	-	-	Y	-	OFOI	
CT - SP	CT - Surge protector panel	1		-	Y	-	-	-	-	-	Y	-	OFCI	
CT- WAS	CT - Outdoor water/air split	1		-	Y	-	-	-	-	-	Y	-	OFCI	CT - Outdoor Water Air Split
CT-CAM	CT - Camera, Ceiling Mounted	1		-	Y	-	-	-	-	-	Y	-	OFCI	

Utilities Key

- | | |
|---------------------------------|----------------------------------|
| 1. Water / Drain | 5. Non MedGas |
| 2. Electricity - Standard power | 6. Vacuum |
| 3. MedGas | 7. Data - Data and clinical data |
| 4. Misc Gas | 8. Misc. |

Furnish Key

- OFOI - Owner Furnished, Owner Installed
 OFVI - Owner Furnished, Vendor Installed
 OFCI - Owner Furnished, Contractor Installed
 CFCI - Contractor Furnished, Contractor Installed

Space Design Guidelines - Basis of Design

Space: CT Suite (Inpatient Imaging / Outpatient Imaging Procedure)	Department: Inpatient, Outpatient	Area: 750 SF
Drawing: Component Schedule - Part 2	Drawing Scale: NTS	Last Update: 12/20/2024

UTSW ID	Product / Manuf / Item	Qty	LF	Utilities								Furnish	Comments
				1	2	3	4	5	6	7	8		
CT-INJ	CT - MedRad Injector, Ceiling Mounted	1		-	Y	-	-	-	-	Y	-	OFCI	Ceiling mounted preferred
CT-MINJ	CT - Medrad Injector	1		-	Y	-	-	-	-	Y	-	OFOI	Mobile, back-up unit
CTWKST	CT Workstation	1		-	Y	-	-	-	-	Y	-	OFOI	Confirm units, sizes, requirements, and quantities per project
DOCPNT	Document Printer	1		-	Y	-	-	-	-	Y	-	OFOI	
EMG SO	CT Emergency Shut Off	2		-	-	-	-	-	-	-	-	OFCI	Confirm location per project.
INSTBL	Instrument Table	1		-	-	-	-	-	-	-	-	OFOI	
INUSE	Lighted sign, Radiation In Use	1		-	Y	-	-	-	-	-	-	CFCI	Lighted, Location confirmed by UTSW PM and UTSW sign shop
LBLPNT	Printer, Label, Pharmacy	1		-	Y	-	-	-	-	Y	-	OFCI	
MED-D-C	Host Medication Dispenser (countertop)	1		-	Y	-	-	-	-	Y	-	OFOI	Emergency power, CDAS, connected to refrigerator. For countertop locations, provide floor mounted support(s).
MED-D-F	Host Medication Dispenser (full height)	1		-	Y	-	-	-	-	Y	-	OFOI	Emergency power and CDAS needed.
MTL SHLV	Tall Metal Shelving Unit	1		-	Y	-	-	-	-	Y	-	OFOI	Mobile, confirm sizes and quantities per project.
OXY	Flowmeter, Oxygen, Low Flow	1		-	-	Y	-	-	-	-	-	CFCI	
PHN	Counter Phone	3		-	-	-	-	-	-	Y	-	OFOI	Confirm quantity and locations
PROCD	Ceiling Mounted Procedure Arms	1		-	Y	-	-	-	-	Y	-	OFCI	Ceiling mounted preferred
PT-LFT	Patient Lift, Ceiling Mounted	1		-	Y	-	-	-	-	-	-	CFCI	Requires structure (05 43 00)
PTARLFT	Patient Air Lift and Cart	1		-	Y	-	-	-	-	-	-	OFOI	Mobile inflater and pad

Utilities Key

- | | |
|---------------------------------|----------------------------------|
| 1. Water / Drain | 5. Non MedGas |
| 2. Electricity - Standard power | 6. Vacuum |
| 3. MedGas | 7. Data - Data and clinical data |
| 4. Misc Gas | 8. Misc. |

Furnish Key

- OFOI - Owner Furnished, Owner Installed
- OFVI - Owner Furnished, Vendor Installed
- OFCI - Owner Furnished, Contractor Installed
- CFCI - Contractor Furnished, Contractor Installed

Space Design Guidelines - Basis of Design

Space: CT Suite (Inpatient Imaging / Outpatient Imaging Procedure)	Department: Inpatient, Outpatient	Area: 750 SF
Drawing: Component Schedule - Part 3	Drawing Scale: NTS	Last Update: 12/20/2024

UTSW ID	Product / Manuf / Item	Qty	LF	Utilities								Furnish	Comments	
				1	2	3	4	5	6	7	8			
RAD-SGN	Sign, Caution Radiation	1		-	-	-	-	-	-	-	-	-	CFCI	Location confirmed by UTSW PM and UTSW sign shop
RM-SGN	Room Sign, Per Standards	2		-	-	-	-	-	-	-	-	-	CFCI	Location confirmed by UTSW PM and UTSW sign shop
SHRPS	Floor Sharps	1		-	-	-	-	-	-	-	-	-	OFOI	no
UCREF	Undercounter refrigerator	1		-	Y	-	-	-	-	-	-	-	OFOI	Remote lock, CDAS or RTLS, Emergency power, connected to Host Meds. Disp.
ULTSND	Mobile, Ultrasound	1		-	Y	-	-	-	-	Y	-	-	OFVI	
WKSTN	CT Required Workstations - Includes Epic, Siemens, Injector, Recon	3		-	Y	-	-	-	-	Y	-	-	OFOI	Confirm units, sizes, requirements, and quantities per project
WMCAB	Warming Cabinet	1		-	Y	-	-	-	-	Y	-	-	OFOI	Emergency power, CDAS.
WOW	Mobile, Workstation	1		-	Y	-	-	-	-	Y	-	-	OFOI	Confirm location.

Utilities Key

- | | |
|---------------------------------|----------------------------------|
| 1. Water / Drain | 5. Non MedGas |
| 2. Electricity - Standard power | 6. Vacuum |
| 3. MedGas | 7. Data - Data and clinical data |
| 4. Misc Gas | 8. Misc. |

Furnish Key

- OFOI - Owner Furnished, Owner Installed
 OFVI - Owner Furnished, Vendor Installed
 OFCI - Owner Furnished, Contractor Installed
 CFCI - Contractor Furnished, Contractor Installed

Space Design Guidelines - Basis of Design

Space: CT Suite (Inpatient Imaging / Outpatient Imaging Procedure)	Department: Inpatient, Outpatient	Area: 750 SF
Drawing: Data/Power Schedule	Drawing Scale: NTS	Last Update: 12/20/2024

Electrical Fixtures

USTW ID	Item	Qty.
		1
CDAS	CDAS Connection	4
EP-2	Emergency Power - Duplex - 120 V	9
P-2	Power - Duplex - 120 V	17
P-4	Power - Quad - 120V	5
SGB	Single gang Box - Card Reader	2

Data Fixtures

UTSW ID	Item	Qty
D-2	Data outlets	1
D-4	Data outlets	7

Utility Considerations:

Emergency power required for CT system, host medication dispenser, and warming cabinet. Confirm additional items with user group.

CDAS or monitoring required for host medication dispenser and warming cabinet. Confirm additional items with user group.

Space Design Guideline Update Log
Q4 2024 – Issued December 20, 2024

Bold text indicating new/revised information.

Organization Changes:

New organization of spaces into four groupings, as indicated in Table of Contents.

As part of the organization change, the “Department” designation has been revised in each titleblock.

Section	Revision/Addition
----------------	--------------------------

I.	General Information
----	---------------------

Addition: D

D. For healthcare spaces, the A/E shall confirm with UTSW if a project is facility based or non-facility based to identify regulation and licensing requirements.

New Sections:

Healthcare, Outpatient, Cardiac Stress / Echo

Healthcare, Outpatient, CT Suite

Healthcare, Outpatient, CT Suite: Procedure: See Inpatient CT Suite

Healthcare, Inpatient, CT Suite (Inpatient and Outpatient Procedure)

Drawing Updates:

Section	Revision/Addition
----------------	--------------------------

Nursing Mother’s Room (NM)	Added door hardware information
----------------------------	---------------------------------

Nursing Mother’s Room – Individual (NMI)	Added door hardware information
--	---------------------------------

Rodent Housing – 4 Rack (RH4)	Added exhaust information for ventilated housing and note that dimensions are to indicate placement regularity.
-------------------------------	---

Facilities Planning, Design, and Construction

Rodent Housing – 6 Rack (RF6)	Added exhaust information for ventilated housing and note that dimensions are to indicate placement regularity.
Rodent Procedure – Type A (RPA)	Added note that dimensions are to indicate placement regularity.
Rodent Procedure – Type B (RPB)	Added note that dimensions are to indicate placement regularity.
Audiology Booth (AB)	Revised door requirements, updated component schedule
Blood Draw Bay (BD)	Revised component schedule
Exam (E)	Revised component schedule
Exam – Double Sided (EX)	Revised component schedule
Eye Lane (EL)	Revised component schedule
Procedure Room (P)	Revised component schedule
Procedure Room with Toilet (PR)	Revised component schedule
Ultrasound / Sonogram (US)	Revised component schedule
Reading Room (RR)	Titleblock revisions
Check-In (CI)	Titleblock revisions
Medication Room (MR)	Titleblock revisions
POC Lab (POC)	Revised component schedule, revised splash guard

Facilities Planning, Design, and Construction

Processing Lab (PL)

Revised component schedule

Instrument Processing (IP)

Revised component schedule

Soiled Hold (SH)

Revised component schedule

Utility – Clean and Soiled (U)

Revised component schedule

Utility - Clean / Soiled with Pass Through (UP)

Wall mounted pass-through comments revised.

Revised component schedule